

Technical Data GUI610

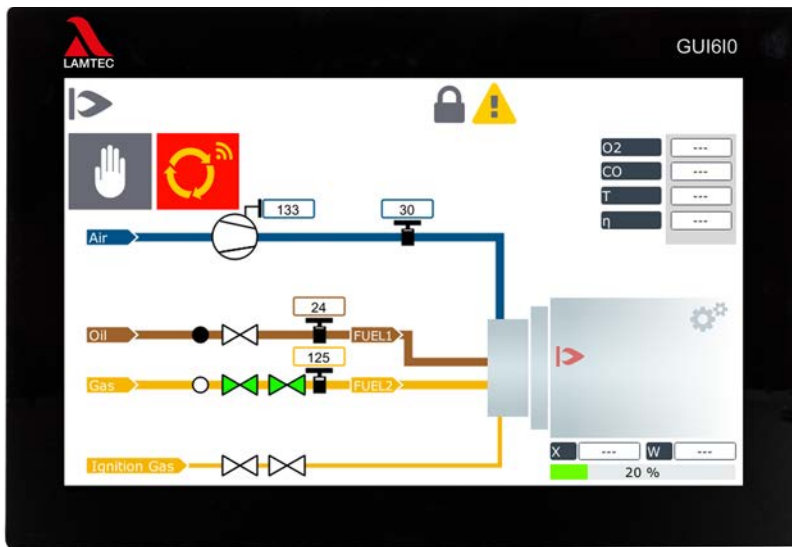


Fig. 1 GUI610

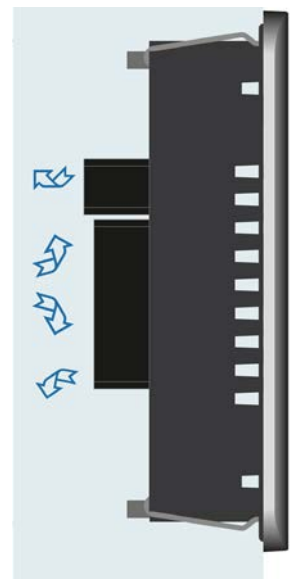


Fig. 2 Ensure unobstructed air circulation! >20 mm / 0.79" in

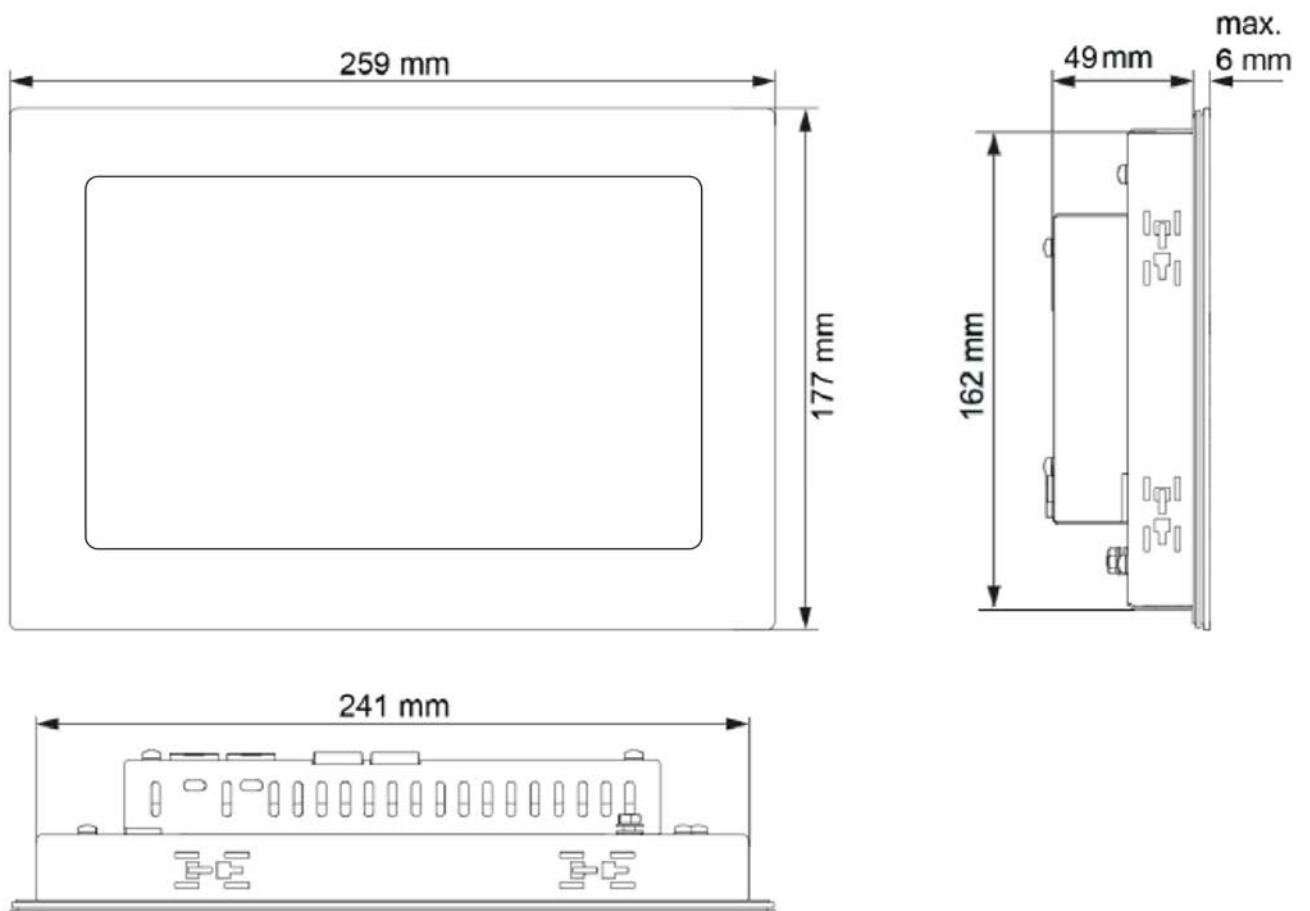
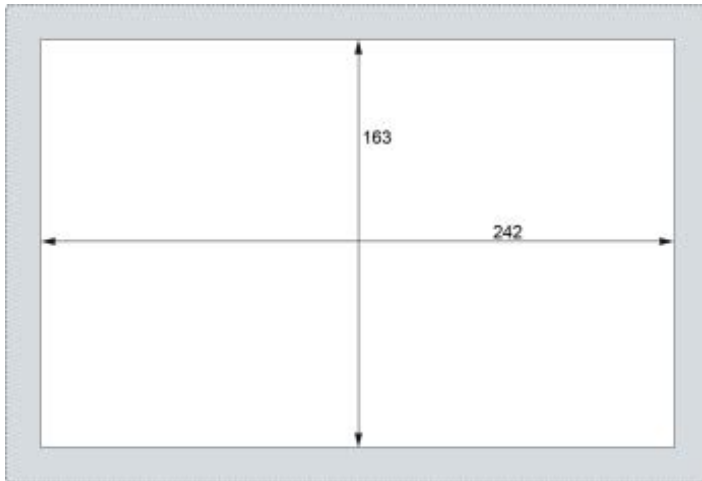


Fig. 3 GUI610 mounting dimensions in mm

Technical Data GUI610



Cut a rectangular panel cut out in the support material

Height: 136.0 mm / 5.35" in

Width: 242.0 mm / 9.53" in

Max. corner radius: 1.5 mm / 0.06" in

Optimum thickness of the carrier material

1.0 up to 3.0 mm / 0.04 up to 0.12" in

Fig. 4 Panel cut out GUI607 in mm

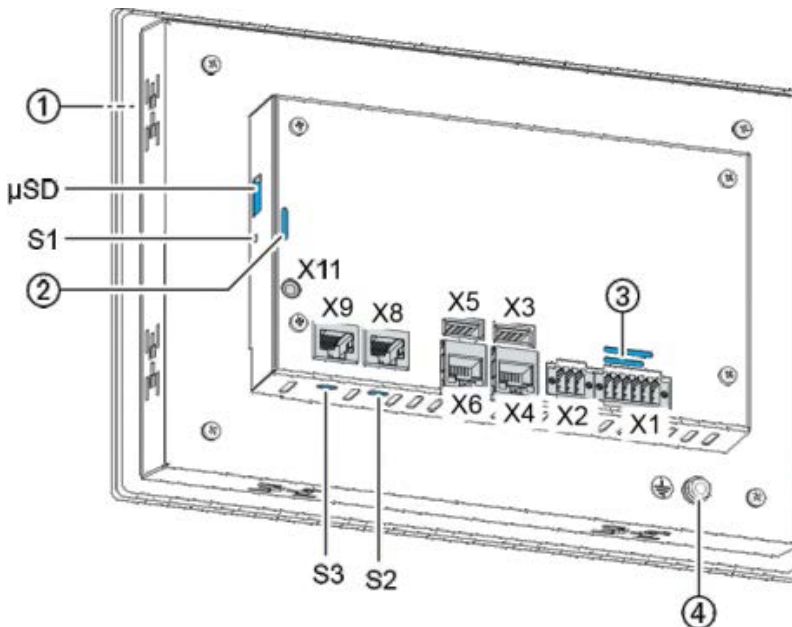


Fig. 5 GUI610 Terminal assignment

Connections

Pos.	Description	Pos.	Description
1	Display 10,1"	X6	EtherCAT (ETH1)
2	LEDs: PWR, RUN/stop, error (DC)	X8	CAN Bus (DC)
			Debug interface (not used - just for LAMTEC service personal) (ET)
3	LEDs: power, digital input/output	X9	RS-232/RS-485
4	Ground connection	X11	Debug interface (not used - just for LAMTEC service personal)
X1	Power supply, digital input/output	S1	Function key
X2	Analogue input	S2	Termination resistor CAN (120 Ω)
X3	USB 2.0	S3	Termination resistor RS-485 (120 Ω)
X4	Ethernet (ETH0)	μSD	Connection microSD card (for memory expansion)
X5	USB 2.0		

Technical Data GUI610

Type

GUI610 graphical user interface 10", 24 VDC, panel installation | Type 668R1002

Technical Data GUI610

Dimensions (H × W × D)	259 x 177 x 55 mm / 10.19 x 6.96 x 2.16" in
Weight	2.5 kg / 5.51 lb
Installation	integrated locking tabs
Supply	24 VDC -15/+20 % SELV max. AC voltage component 5 % with inverse-polarity protection
Power consumption	
Module electronics current consumption	type. 0.8 A, max 1.2 A with +24 VDC
Display diagonal/resolution	10,1"-Display, 1280 x 800 (WXGA)
Touch screen type	capacitive (multitouch)
Colours	TFT: 16.7 M (24 bits/pixel)
CPU	800 MHz ARM® CPU with Cortex™-A9 single Core
RAM/flash/non-volatile memory	512 MB RAM/2048 MB Flash/100 kB FRAM
Communication interfaces	2 x Ethernet, 10/100 Base, RJ45
Flammability	

Environmental conditions

Operation	permitted temperature range	0 ... +55 °C (condensation prohibited) 32 ... 131 °F
	permitted humidity	max. 85 %, non-condensing
Transport/Storage	permitted temperature range	-20 ... +70 °C (condensation prohibited) -4 ... 158 °F
	permitted humidity	max. 85 %, non-condensing
Degree of protection	DIN EN 60529	IP20 IP44 front
Protection class	DIN EN 60529	III
Electrical safety	insulation resistance	EN 61131-2
	insensitivity to interference	EN 61131-2
	emitted interference	EN 55011 class B, group 1
Mechanical safety	vibration	sinusoidal (EN 90068-2-6) Test: Fc; 10 - 150 Hz, 1 G (operating mode)
	shock resistance	15 G (approx. 150 m/s ² / 492.13 ft/s ²), duration 10 ms, semi-sinusoidal (EN 6068-2-27) Test: Ea

Certification

CE	EN 61131-2	
CB Scheme	IEC 61010-2-201	

NOTICE

The limits of the technical data must be strictly adhered to.

Technical Data GUI610

Order Information

Display modules GUI610

Description/Type	Order no.
GUI610 Graphical display module 10", 24 VDC, panel installation Touch panel with graphic menus for convenient curve programming, extended parameter setting and all system queries	668R1002



The information in this publication is subject to technical changes.

**LAMTEC Meß- und Regeltechnik
für Feuerungen GmbH & Co. KG**

Josef-Reiert-Straße 26
D-69190 Walldorf
Telefon: +49 (0) 6227 6052-0
Telefax: +49 (0) 6227 6052-57

info@lamtec.de
www.lamtec.de

