

# Technical Data Gas Control Valve Type SVL

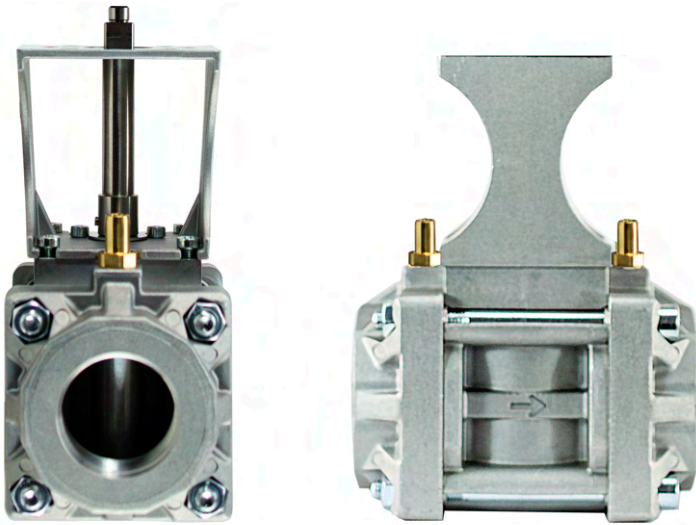


Fig. 1 Gas control valve type SVL – 668M2400

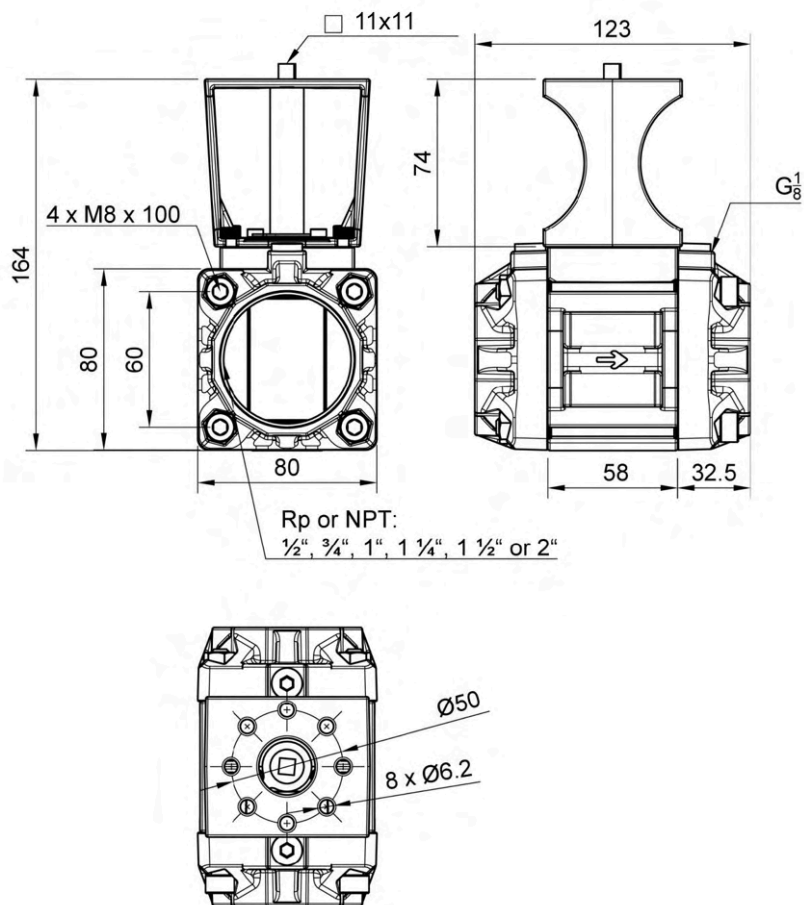


Fig. 2 Dimensional drawing gas control valve type SVL – 668M2400 (dimensions in mm)

# Technical Data Gas Control Valve Type SVL

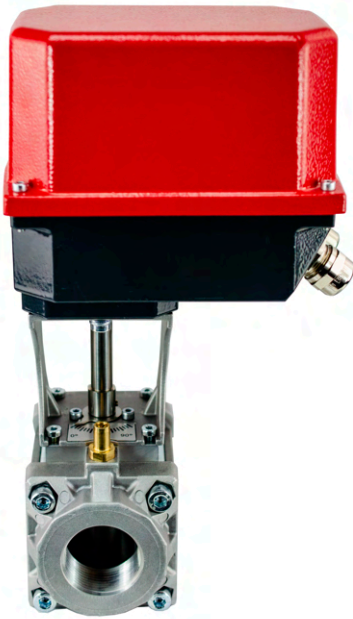


Fig. 3 Gas control valve type SVL – 668M2400 mounted on actuator

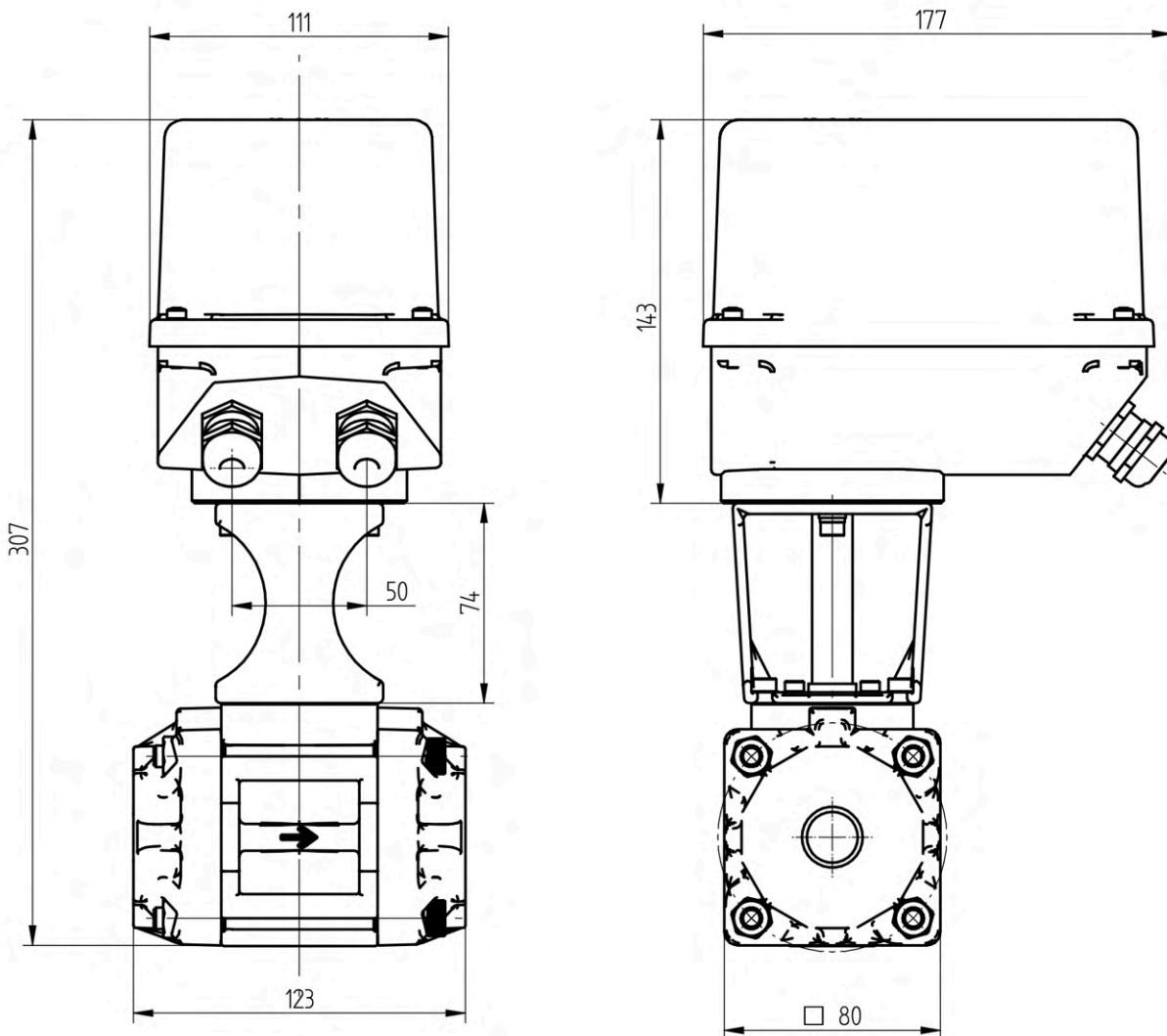


Fig. 4 Dimensional drawing gas control valve type SVL – 668M2400 mounted on actuator (dimensions in mm)

## Technical Data Gas Control Valve Type SVL

Technical Data		
Gas type	For gases of gas families 1, 2, 3 and other neutral gaseous media. Suitable for hydrogen. Suitable for gases up to max. 0,1 Vol. % H <sub>2</sub> S The gas must be dry under all circumstances and must not condense.	
Material	Housing	Aluminium
	Shaft	Aluminium
	Control cylinder	Aluminium
	Flange	Aluminium
	Seal	NBR
Weight	Approx. 1,6 kg   3.53 lb incl. 2 x flange plates 1"	
Connection	Rp or NPT thread	
Operating pressure	Max. 50 kPa (500 mbar   7.25 psi)	
Adaptation	Outer square 11 x 11mm   0.43 x 0.43" in	
Adjusting speed	Max. 1,5 s/90°	
Direction of rotation	Optionally clockwise (for clockwise-turning LAMTEC actuators) or anticlockwise (for anticlockwise-turning LAMTEC actuators).	
Mounting position	Horizontal to vertical, actuator not hanging downwards	
Mounting actuator	No separate coupling/bracket is required. The bracket is part of the valve. Delivery incl. mounting material.	
Position indicator	Integrated	
Type of actuator	Suitable for electric actuator 668M2006, 668M2020 with internal square 11.1 x 11.1 mm   0.44 x 0.44" in (IVK11)	
Flow rate	Up to DN40 linear, DN50 nearly linear	
Test specification	DIN EN 13611:2022 and DIN EN161:2013	
Explosion protection	The gas control valve is not covered by the directive 2014/35/EU, because with the loads occurring in practice, no effective ignition source occurs even in the event of a fault.  The valve must be grounded. This connection is made by screwing it into the grounded gas pipeline.	

### Environmental conditions

<b>Operation</b>	perm. temperature range	-20 ... +60 °C / -4 ... 140 °F
<b>Transport</b>	perm. temperature range	-20 ... +60 °C / -4 ... 140 °F
<b>Storage</b>	perm. temperature range	-20 ... +60 °C / -4 ... 140 °F

### NOTICE

The limits of the technical data must be strictly adhered to.

# Technical Data Gas Control Valve Type SVL

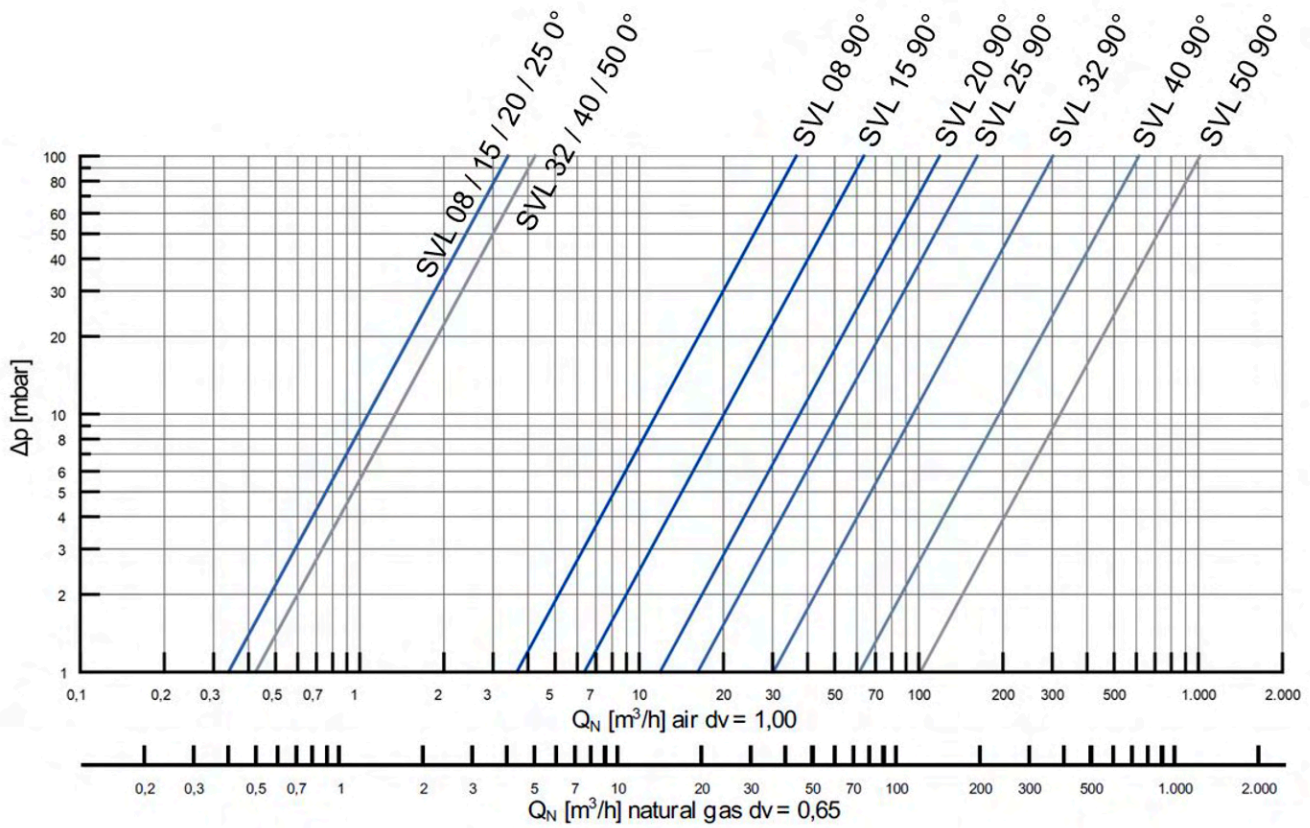


Fig. 5 Flow curve gas control valve 668M2400

Type	Control valve position		mounted flanges during measurement
	0°	90°	
SVL08	0,4	4,3	FL-SVL R 1/2"
SVL15	0,4	7,5	FL-SVL R 3/4"
SVL20	0,4	14,0	FL-SVL R 1"
SVL25	0,4	19,1	FL-SVL R 1 1/4"
SVL32	0,5	35,6	FL-SVL R 1/2"
SVL40	0,5	72,3	FL-SVL R 2"
SVL50	0,5	119,6	FL-SVL R 2"

Tab. 6 KV values (specifications in m<sup>3</sup>/h)

# Technical Data Gas Control Valve Type SVL

## Order Information

### Gas control valve Type SVL, Aluminium up to 60 °C | 140° F

Description / Type	Order no.
<ul style="list-style-type: none"> <li>- DN08 ... DN40 linear, DN50 nearly linear</li> <li>- Mounting between threaded flanges, connection range ½" - 2"</li> <li>- Angle of rotation 90°</li> <li>- For gases of gas families 1, 2, 3 and other neutral gaseous media</li> <li>- Hydrogen</li> <li>- Max. operating pressure: 500 mbar   7.25 psi</li> <li>- Max. differential pressure: 500 mbar   7.25 psi</li> <li>- Ambient temperature: -20 ... +60 °C   -4 ... +140 °F</li> <li>- Medium temperature: -20 ... +60 °C   -4 ... +140 °F</li> <li>- max. Adjusting speed 1,5 s/90°</li> <li>- Suitable for electric actuator 668M2006, 668M2020, with internal square 11x11 mm   0.43 x 0.43" in (IVK11).</li> <li>- No separate coupling/bracket is required. The bracket is part of the valve</li> </ul>	668M2400

A10 "NOMINAL DIAMETER"	Selection
NOMINAL DIAMETER DN08 - LINEAR	08
NOMINAL DIAMETER DN15 - LINEAR	15
NOMINAL DIAMETER DN20 - LINEAR	20
NOMINAL DIAMETER DN25 - LINEAR	25
NOMINAL DIAMETER DN32 - LINEAR	32
NOMINAL DIAMETER DN40 - LINEAR	40
NOMINAL DIAMETER DN50 - NON LINEAR	50

A20 "GAS CONNECTION"	Selection
GAS CONNECTION INTERNAL THREAD Rp ½"	R12
GAS CONNECTION INTERNAL THREAD Rp ¾"	R34
GAS CONNECTION INTERNAL THREAD Rp 1"	R1
GAS CONNECTION INTERNAL THREAD Rp 1 ¼"	R114
GAS CONNECTION INTERNAL THREAD Rp 1 ½"	R112
GAS CONNECTION INTERNAL THREAD Rp 2"	R2
GAS CONNECTION INTERNAL THREAD NPT ½"	N12
GAS CONNECTION INTERNAL THREAD NPT ¾"	N34
GAS CONNECTION INTERNAL THREAD NPT 1"	N1
GAS CONNECTION INTERNAL THREAD NPT 1 ¼"	N114
GAS CONNECTION INTERNAL THREAD NPT 1 ½"	N112
GAS CONNECTION INTERNAL THREAD NPT 2"	N2

A30 "DIRECTION OF ROTATION"	Selection
FOR CLOCKWISE ROTATING ACTUATORS	R

A40 "MANUAL ADJUSTMENT"	Selection
WITHOUT MANUAL ADJUSTMENT, for mounting on actuator	0
WITH MANUAL ADJUSTMENT, infinitely adjustable locking lever	H

# Technical Data Gas Control Valve Type SVL

## Approvals



**UK  
CA**

The information in this publication is subject to technical changes.



**LAMTEC Meß- und Regeltechnik  
für Feuerungen GmbH & Co. KG**

Josef-Reiert-Straße 26

D-69190 Walldorf

Telefon: +49 (0) 6227 6052-0

Telefax: +49 (0) 6227 6052-57

[info@lamtec.de](mailto:info@lamtec.de)  
[www.lamtec.de](http://www.lamtec.de)

