

## Technical Data Butterfly Valve 662R26, DN40 ... DN150

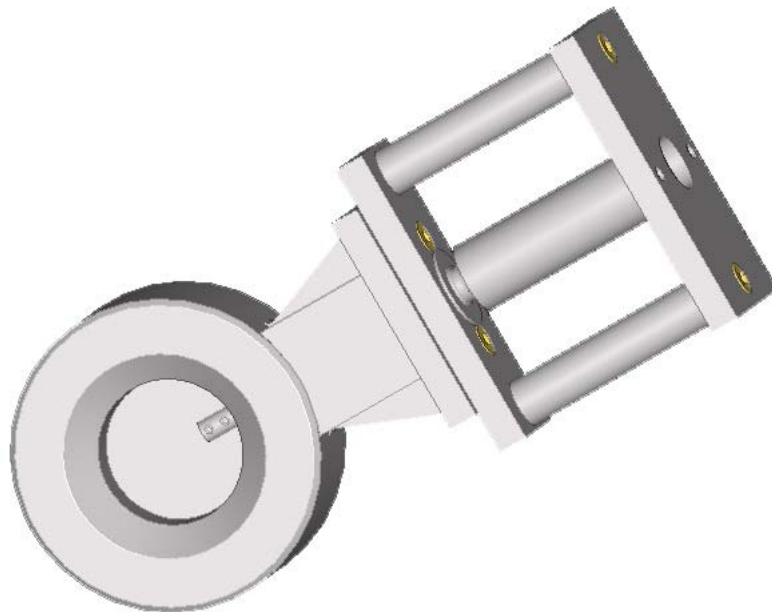


Fig. 1-1 Flow control butterfly valves type DN40 ... DN150, 662R26

### Characteristics

Material	Body: aluminium Stem: stainless steel AISI 303 Butterfly disc: aluminium DN40, DN50, DN65, DN80, DN100, DN125, DN150 Stem sealing: "O" Ring in Viton
Operating pressure	0 ... 0,5 bar
Max. pressure	500 mbar
Temperature	Gas: -10 °C ... +60 °C (+14 °F ... +140 °F)
Control ratio	10:1
Bidirectional valves	without zero setting
Gas Group	1 <sup>st</sup> , 2 <sup>nd</sup> and 3 <sup>rd</sup> family of gas
Approval	DVGW to DIN EN 161 with CE product identification number
Installation	Between flanges in acc. to ISO7005, PN16

### NOTICE

The limits of the technical data must be strictly adhered to.

# Technical Data Butterfly Valve 662R26, DN40 ... DN150

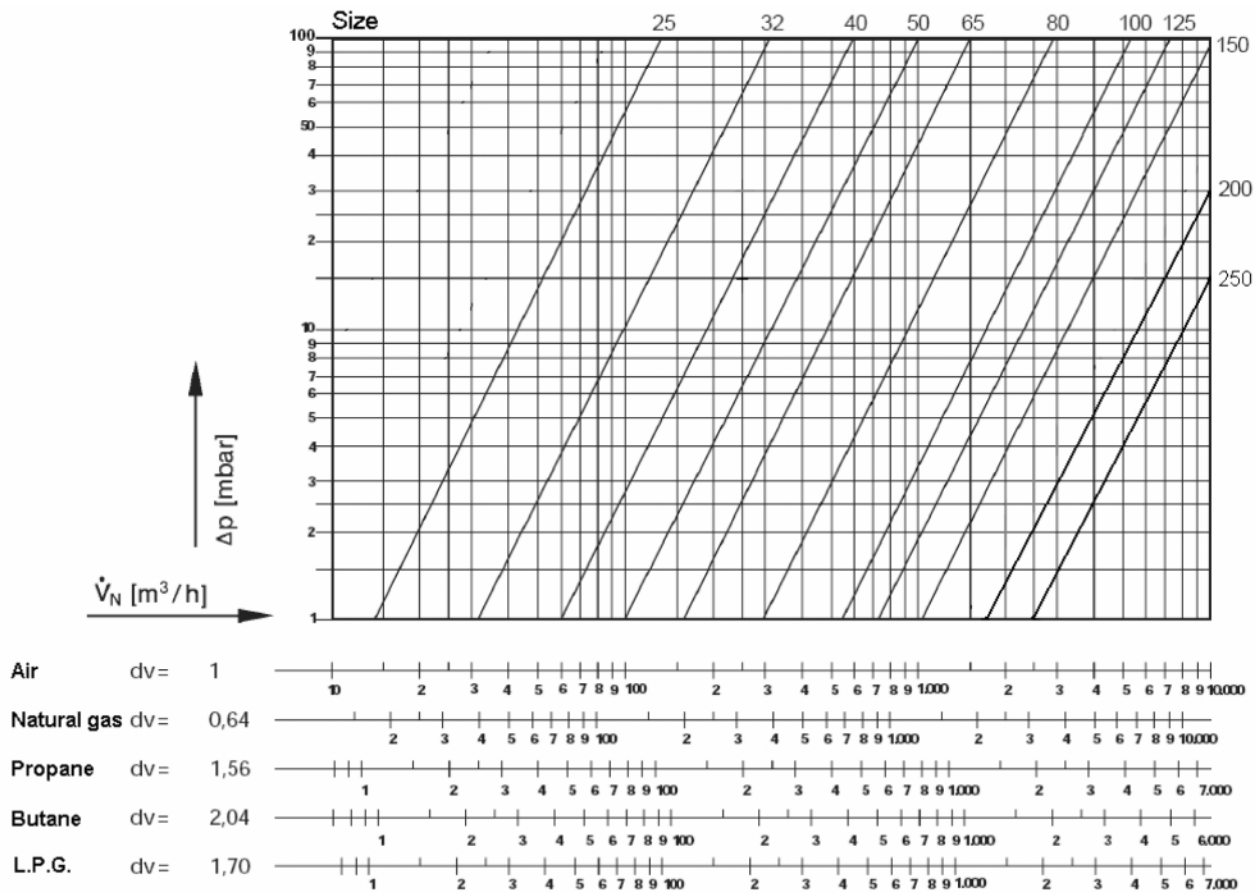


Fig. 1-2 Flow Diagram Butterfly Valve type DN40 ... DN150, 662R26

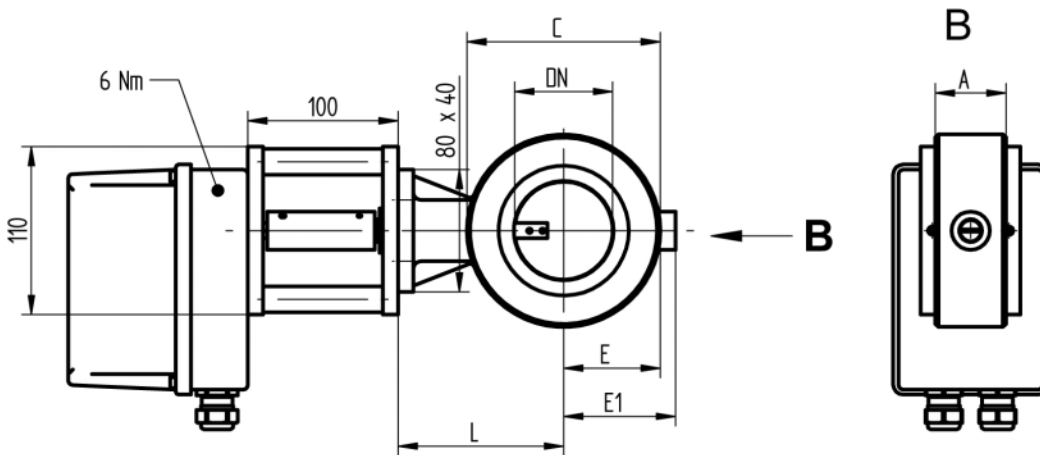
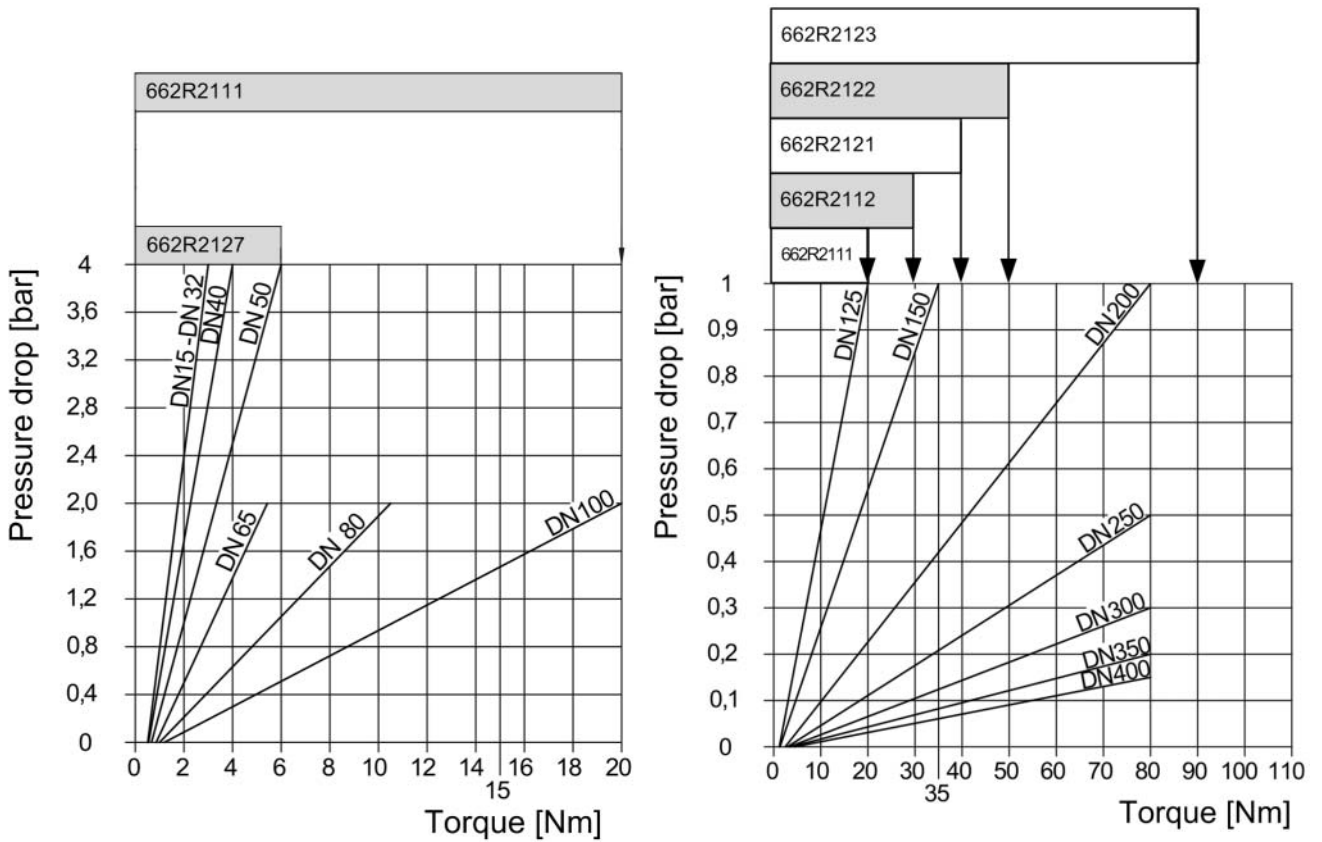


Fig. 1-3 Dimensional drawing butterfly valve type DN40 ... DN150 with 6 Nm motor

DN	40	50	65	80	100	125	150
A	40	43	46	46	52	56	56
C	88	102	122	138	158	188	212
E	46	54	-	-	-	-	-
E1	-	-	73	77	89	106	118
L	89,5	100,5	108	128	138	149,5	162
Weight in kg (Weight in Pound)	0,9 (1,984 lb)	1,2 (2,646 lb)	1,7 (3,748 lb)	1,9 (4,189 lb)	2,3 (5,071 lb)	2,4 (5,291 lb)	2,8 (6,173 lb)

## Selection Electrical Servomotor

- The total torque of the butterfly valve is the results of the addition of the diagram and spindle sealing torque.
- The max. permitted differential pressure ( $p_e - p_a$ ) must not exceed during operation. The limits can be taken from the diagram.



# Technical Data Butterfly Valve 662R26, DN40 ... DN150

## Order Information

662R26 -	A 10 INTERNAL DIAMETER	A 20 REDUCTION
----------	---------------------------	-------------------

A 10 – Internal Diameter	Selection
Internal diameter, DN40	DN40
Internal diameter, DN50	DN50
Internal diameter, DN65	DN65
Internal diameter, DN80	DN80
Internal diameter, DN100	DN100
Internal diameter, DN125	DN125
Internal diameter, DN150	DN150

A 20 – Reduction	Selection
without reduction	00

### Extract from price list:

#### Electrical servomotor for ETAMATIC/FMS/VMS

662R2127	6 Nm
662R2111	20 Nm
662R2112	30 Nm
662R2121	40 Nm
662R2122	50 Nm
662R2123	90 Nm
662R2124	140 Nm
662R2125	180 Nm

#### EX-control for ETAMATIC/FMS/VMS ATEX/IECEX

662R2140	20 Nm/30 Nm/40 Nm (EX-zone 1, II2G Ex d IIC T6 Gb)
----------	--

Complete price list for servomotor and butterfly valves see DLT6002-18aEN-002.



The information in this publication is subject to technical changes.

**LAMTEC Meß- und Regeltechnik  
für Feuerungen GmbH & Co. KG**  
Wiesenstraße 6  
D-69190 Walldorf  
Telefon: +49 (0) 6227 6052-0  
Telefax: +49 (0) 6227 6052-57

[info@lamtec.de](mailto:info@lamtec.de)  
[www.lamtec.de](http://www.lamtec.de)

