

Technical Data Wide Band Flame Sensor KLC2002 / KLC20

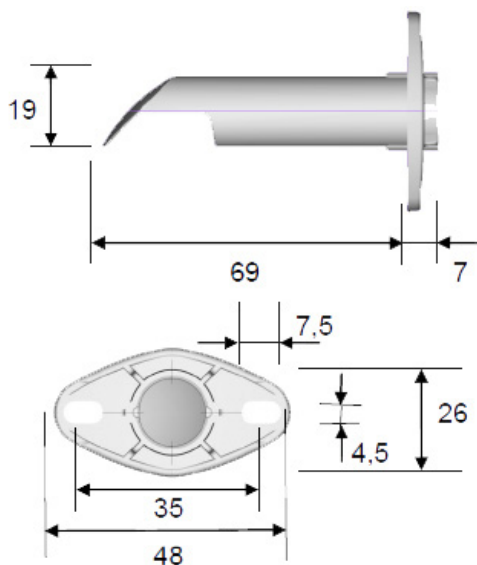


Fig. 1 Dimensions of angle adapter for KLC2002

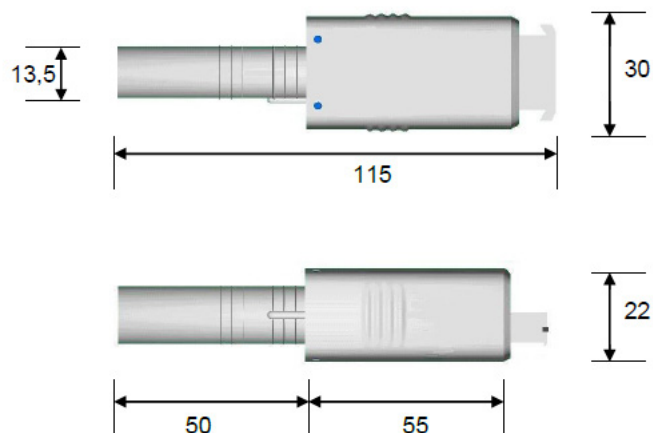


Fig. 2 Dimensions KLC2002

KLC20/KLC2002

Input Data		
Power supply	KLC20: 120 VAC -15/+10% 50-60 Hz KLC2002: 230/240 VAC -15/+10% 50-60 Hz	
Current consumption	3 - 4 mA	
Optical Evaluation		
Spectral range	380 - 1150 nm	
Design with optical filter 380 - 830 nm:		
Sensitivity max.	920 nm	
Tolerable flame signal dips:	280 ms	
Fading of the parasitic frequency:	>35 Hz (option)	
Dimensions		
Weight	0,029 kg (1.02 oz)	
Connecting cable length max.	3 m (3.3 ft)	
Mounting position	any	
Environmental conditions		
Operation	temperature range	-20 ...+60 °C (-4 °F ... +140 °F) (temporarily <1 min. up to +75 °C (+167 °F))
	humidity	max. 95 % r. F. (condensation is prohibited)
Degree of protection	DIN EN 60529	IP41
Electrical safety	protection class	II
	protection against contact	DIN EN 60730-2-5

NOTICE

The limits of the technical data must be strictly adhered to.

Technical Data Wide Band Flame Sensor KLC2002 / KLC20

Order Information

Description / Type	Order no.
KLC2002, Wide band flame sensor, front illumination, IP41, 230 V	667R0810-1
KLC20, Wide band flame sensor, front illumination, IP41, 120 V	667R0810-2
Viewing angle for KLC2002 for radial illumination	667R0811-1
Mounting flange for KLC, 7 mm (0.276" in)	667R0812-1
Connecting cable for KLC, length 1.000 mm (39.37" in)	667R0813-1000
Connecting cable for KLC, length 2.000 mm (78.74" in)	667R0813-2000
Connecting cable for KLC, length 3.000 mm (118.11" in)	667R0813-3000



only KLC20

The information in this publication is subject to technical changes.



**LAMTEC Meß- und Regeltechnik
für Feuerungen GmbH & Co. KG**

Josef-Reiert-Straße 26

D-69190 Walldorf

Telefon: +49 (0) 6227 6052-0

Telefax: +49 (0) 6227 6052-57

info@lamtec.de
www.lamtec.de

