

Technical Data GUI607

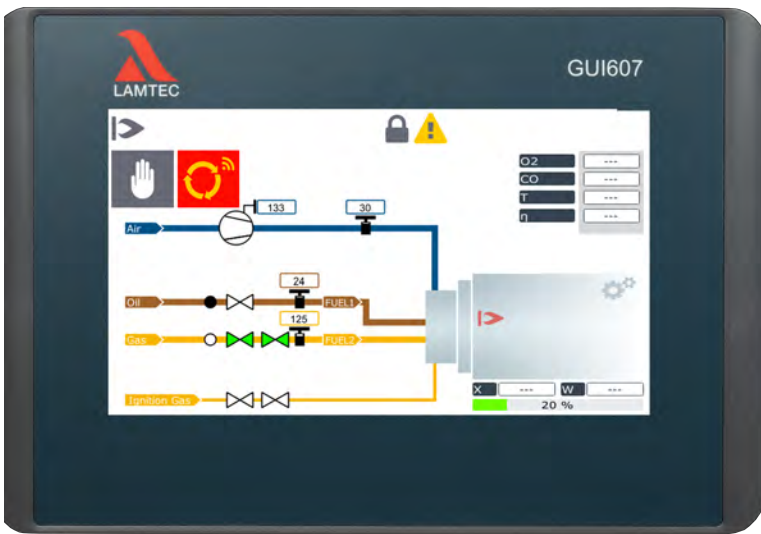


Fig. 1 GUI607

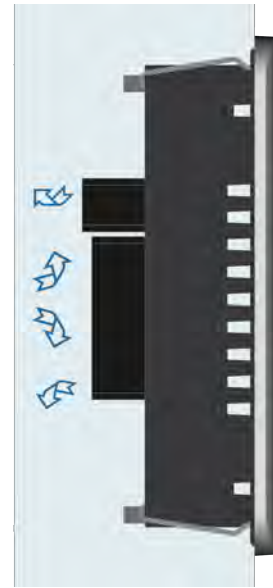


Fig. 2 Ensure unobstructed air circulation! >20 mm

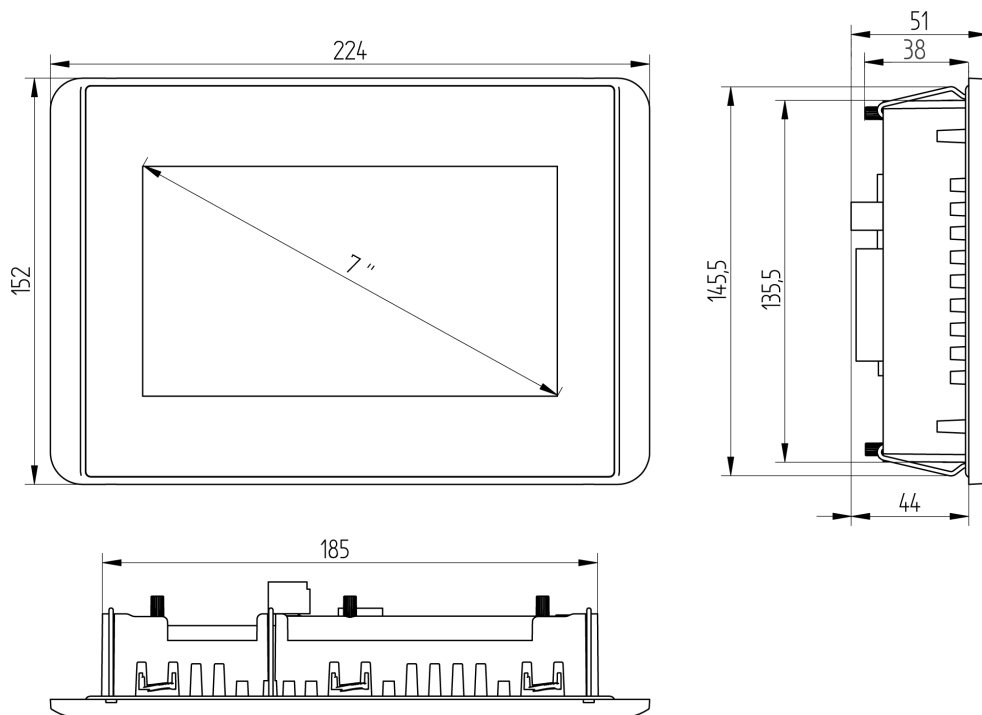
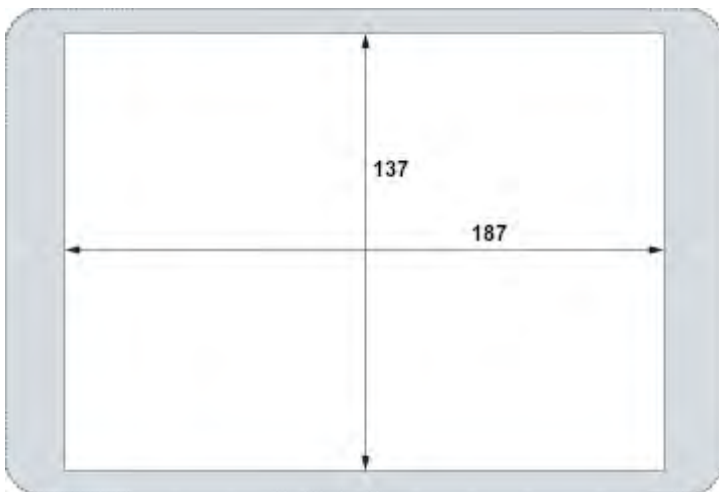


Fig. 3 GUI607 mounting dimensions in mm

Cut-out for GUI706 installation: 187 mm × 136.5 mm for a sheet thickness of 2 mm

Technical Data GUI607



Cut rectangular panel cut-out in the support material

High: 137.0 mm / 5.39" in

Width: 187.0 mm / 7.36" in

Max. corner radius: 3.0 mm / 0.12" in

Optimum thickness of the carrier material

Degree of protection IP65 with twist lock catches: only for 1.5 ... 3.0 mm / 0.06 ... 0.12" in

Optimal: 1.5 ... 2.0 mm / 0.06 ... 0.08" in

Max.: 3.0 mm / 0.12" in

Fig. 4 Panel cut out GUI607 in mm

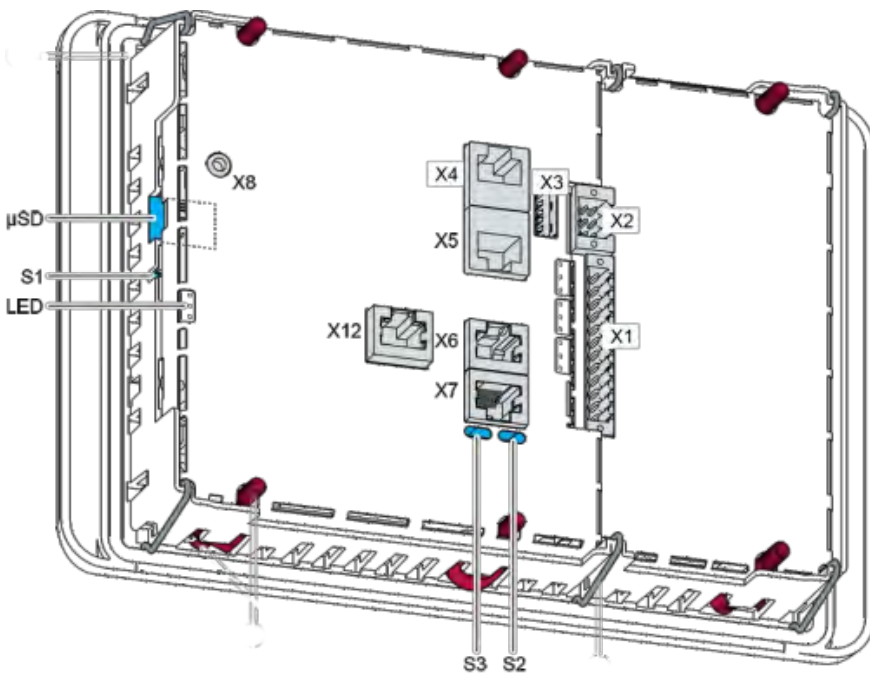


Fig. 5 Connections GUI607

Connections

Pos. Designation

- X1 Power supply, digital input/output
- X2 Analogue input
- X3 USB 2.0
- X4 Ethernet (ETH0)
- X5 EtherCAT(ETH1)
- X6 RS-232/RS-485
- X7 CAN Bus (CAN0)

Pos. Designation

- X8 Debug interface (just DC)
- X12 CAN Bus (CAN1) optional
- S1 Function key (rest and run/stop)
- S2 Termination resistor CAN (120 Ω)
- S3 Termination resistor RS-485 (120 Ω)
- μSD Connection microSD card (optional)
- LED LEDs: PWR, run/stop, error

Technical Data GUI607

Type

GUI607 graphical user interface, 7" 24 VDC, panel installation | Type 668R1000

Technical Data GUI607

Dimensions (H × W × D)	224 × 152 × 51 mm / 8.82 x 5.98 x 2.01" in
Weight	0.6 kg / 1.32 lb
Installation	Integrated locking tabs
Power supply	24 VDC -15/+20 % SELV max. AC voltage component 5 % with inverse-polarity protection
Power consumption	
Module electronics current consumption	Type 0.3 A, max. 3 A at +24 VDC
Display diagonal/resolution	7" display, 800 × 400 (WVGA)
Touch screen type	resistive
Colours	TFT: 16.7 M (24 bits/pixel)
CPU	800 MHz ARM® CPU with Cortex™-A9 single core
RAM/flash/non-volatile memory	256 MB RAM/256 MB flash/100 kB FRAM
Communication interfaces	2 x Ethernet, 10/100 Base, RJ45
Flammability	

Environmental conditions

Operation	permitted temperature range	24 V power supply: 0 ... +55 °C / 32 ... 131 °F (non-condensing) 28.8 V power supply: 0 ... +50 °C / 32 ... 194 °F (non-condensing)
	permitted humidity	max. 85 %, non-condensing
Transport/Storage	permitted temperature range	-20 ... +70 °C / -4 ... 158 °F (non-condensing)
	permitted humidity	max. 85%, non-condensing
Degree of protection	DIN EN 60529	IP20 IP54 front (IP65 only with tensioned twist lock)
Protection class	DIN EN 60529	III
Electrical safety	insensitivity to interference	EN 61131-2/EN-En61000-6-2; industrial premises
	emitted interference	EN EN 61000-6-4; industrial premises
Mech. safety	vibration	sinusoidal (EN 90068-2-6) test: Fc; 10 - 150 Hz, 1 G (operating mode)
	shock resistance	15 G (approx. 150 m/s ² / 492.13 ft/s ²), duration 10 ms, semi-sinusoidal (EN 600068-2-27) Test: Ea

Certification:

CE	DIN EN 61131-2 IEC 61010-2-201 DIN EN 610-10-2-201	
cUL_{us}	UL 61010-2-201	

NOTICE

The limits of the technical data must be strictly adhered to.

Order Information

Display modules GUI607

Description/Type	Order no.
Graphical display module 7", 24VDC, panel installation Touch panel with graphic menus for convenient curve programming, extended parameterization and all system queries	668R1000



The information in this publication is subject to technical changes.



**LAMTEC Meß- und Regeltechnik
für Feuerungen GmbH & Co. KG**

Wiesenstraße 6
D-69190 Walldorf
Telefon: +49 (0) 6227 6052-0
Telefax: +49 (0) 6227 6052-57

info@lamtec.de
www.lamtec.de

