

Technical Data GUI610

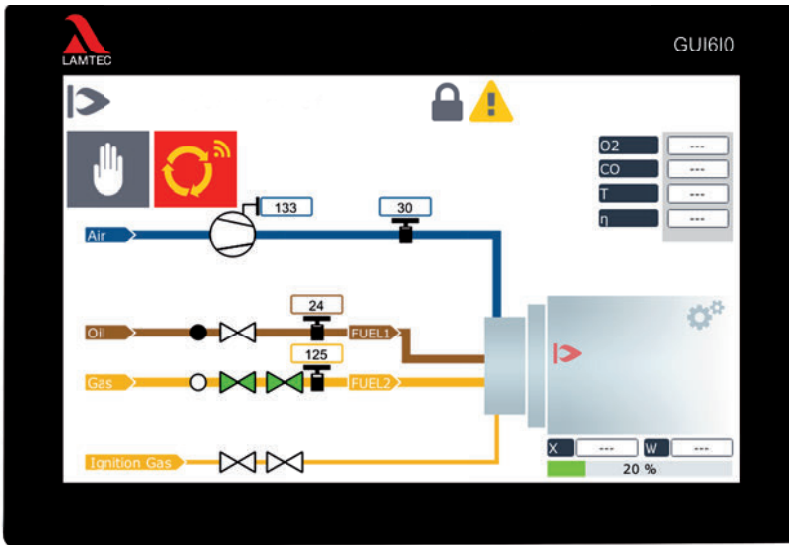


Fig. 1 GUI610

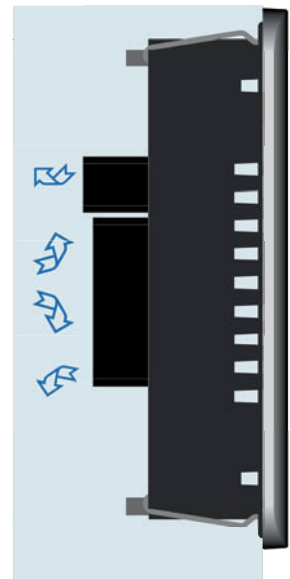


Fig. 2 Ensure unobstructed air circulation! >20 mm / 0.79" in

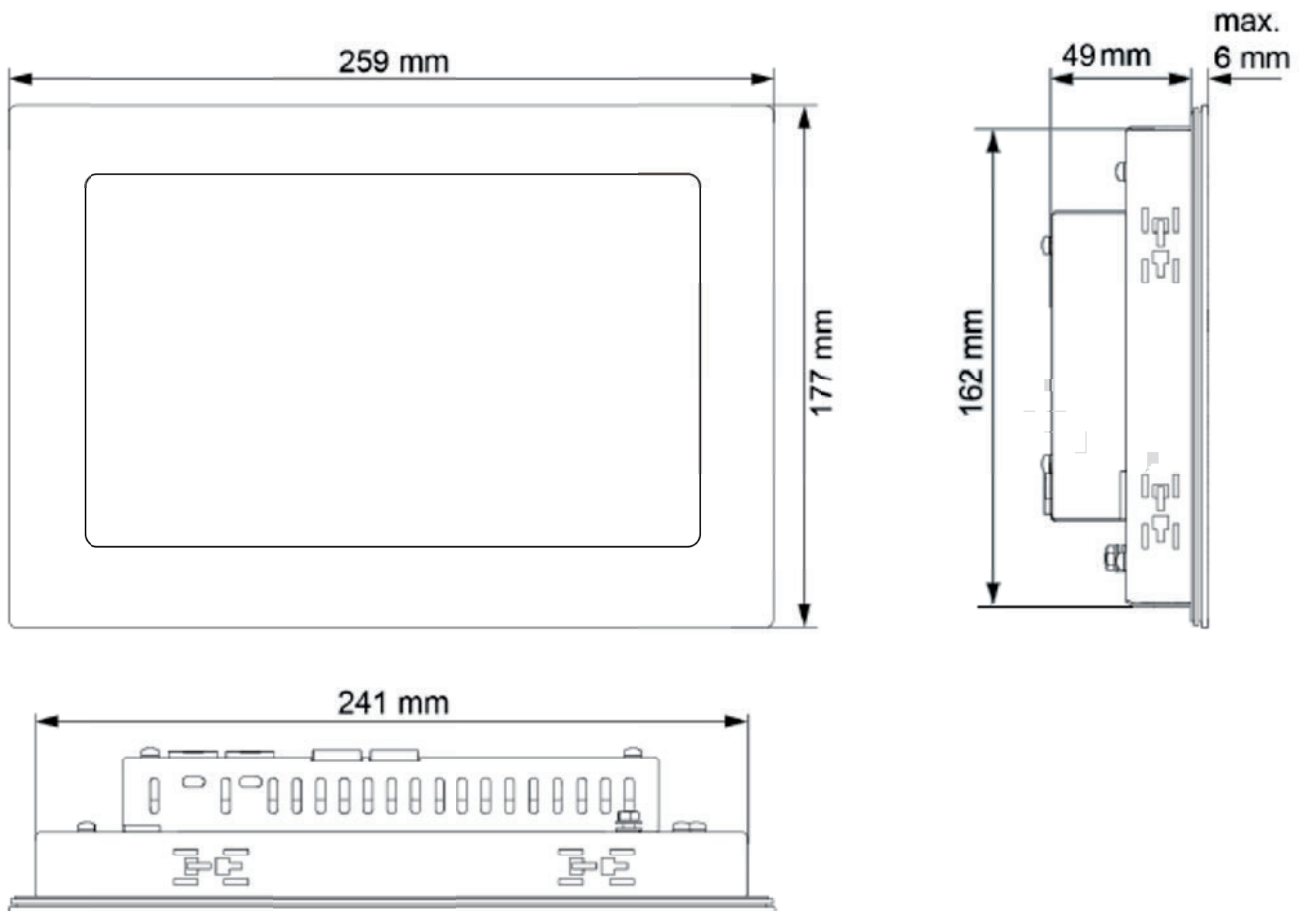


Fig. 3 GUI610 mounting dimensions in mm

Technical Data GUI610

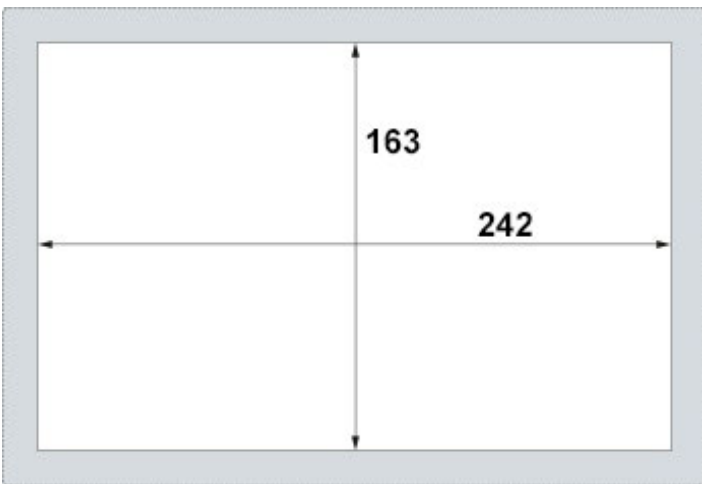


Fig. 4 Panel cut out GUI610 (dimensions in mm)

Cut a rectangular panel cut out in the support material

Height: 163.0 mm | 6.42" in

Width: 242.0 mm | 9.53" in

Max. corner radius: 1.5 mm | 0.06" in

Optimum thickness of the carrier material

1.0 up to 3.0 mm | 0.04 up to 0.12" in

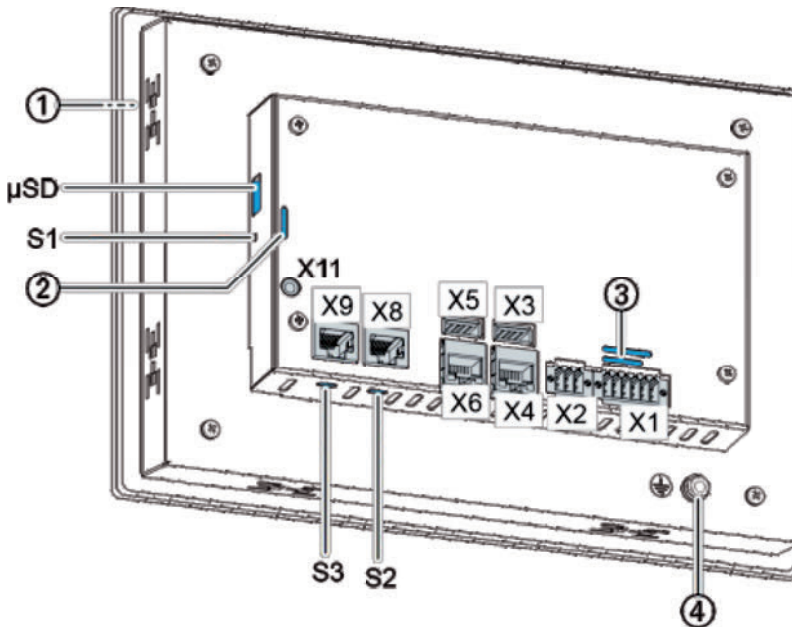


Fig. 5 GUI610 Terminal assignment

Connections

Pos.	Description	Pos.	Description
1	Display 10,1"	X6	EtherCAT (ETH1)
2	LEDs: PWR, RUN/stop, error (DC)	X8	CAN Bus (DC) Debug interface (not used - just for LAMTEC service personal) (ET)
3	LEDs: power, digital input/output	X9	RS-232/RS-485
4	Ground connection	X11	Debug interface (not used - just for LAMTEC service personal)
X1	Power supply, digital input/output	S1	Function key
X2	Analogue input	S2	Termination resistor CAN (120 Ω)
X3	USB 2.0	S3	Termination resistor RS-485 (120 Ω)
X4	Ethernet (ETH0)	μSD	Connection microSD card (for memory expansion)
X5	USB 2.0		

Technical Data GUI610

X1 Power supply inputs PIN 9-12

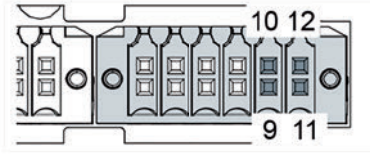


Fig. 6 GUI610 X1 PIN assignment

PIN 9 and 12: L+ 24 V Power supply 24 VDC (−15 %/+20 %)
PIN 11: GND

Technical Data GUI610	
Dimensions (H × W × D)	259 x 177 x 55 mm 10.19 x 6.96 x 2.16" in
Weight	2.5 kg 5.51 lb
Installation	integrated locking tabs
Supply	24 VDC -15/+20 % SELV max. AC voltage component 5 % with inverse-polarity protection
Power consumption	
Module electronics current consumption	type. 0.8 A, max 1.2 A with +24 VDC
Display diagonal/resolution	10,1"-Display, 1280 x 800 (WXGA)
Touch screen type	capacitive (multitouch)
Colours	TFT: 16.7 M (24 bits/pixel)
CPU	800 MHz ARM® CPU with Cortex™-A9 single Core
RAM/flash/non-volatile memory	512 MB RAM/2048 MB Flash/100 kB FRAM
Communication interfaces	2 x Ethernet, 10/100 Base, RJ45
Flammability	

Environmental conditions		
Operation	permitted temperature range	0 ... +55 °C 32 ... 131 °F (condensation prohibited)
	permitted humidity	max. 85 %, non-condensing
Transport/Storage	permitted temperature range	-20 ... +70 °C -4 ... 158 °F (condensation prohibited)
	permitted humidity	max. 85 %, non-condensing
Degree of protection	DIN EN 60529	IP20 IP44 front
Protection class	DIN EN 60529	III
Electrical safety	insulation resistance	EN 61131-2
	insensitivity to interference	EN 61131-2
	emitted interference	EN 55011 class B, group 1
Mechanical safety	vibration	sinusoidal (EN 90068-2-6) Test: Fc; 10 - 150 Hz, 1 G (operating mode)
	shock resistance	15 G (approx. 150 m/s ² 492.13 ft/s ²), duration 10 ms, semi-sinusoidal (EN 6068-2-27) Test: Ea

Technical Data GUI610

Certification

CE	EN 61131-2
CB Scheme	IEC 61010-2-201

NOTICE

The limits of the technical data must be strictly adhered to.

Order Information

Display modules GUI610

Description/Type

GUI610 Graphical display module 10", 24 VDC, panel installation
Touch panel with graphic menus for convenient curve programming, extended parameter setting and all system queries

Order no.

668R1002

Approvals



The information in this publication is subject to technical changes.



LAMTEC Meß- und Regeltechnik für Feuerungen GmbH & Co. KG

Josef-Reiert-Straße 26

D-69190 Walldorf

Telefon: +49 (0) 6227 6052-0

Telefax: +49 (0) 6227 6052-57

info@lamtec.de
www.lamtec.de

