

Technical Data GUI615

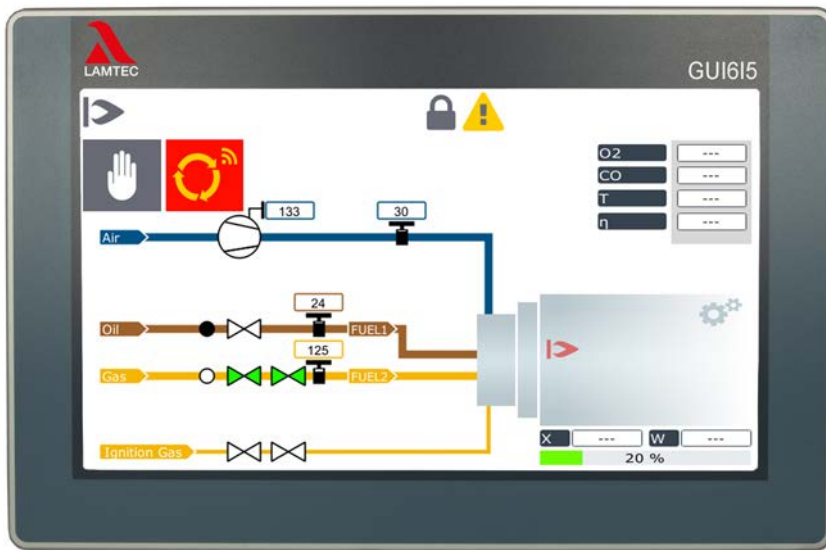


Fig. 1 GUI615

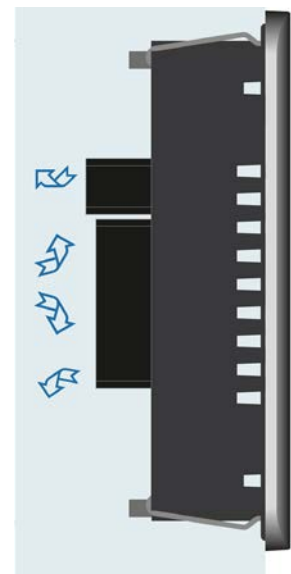


Fig. 2 Ensure unobstructed air circulation! >20 mm / 0.79" in

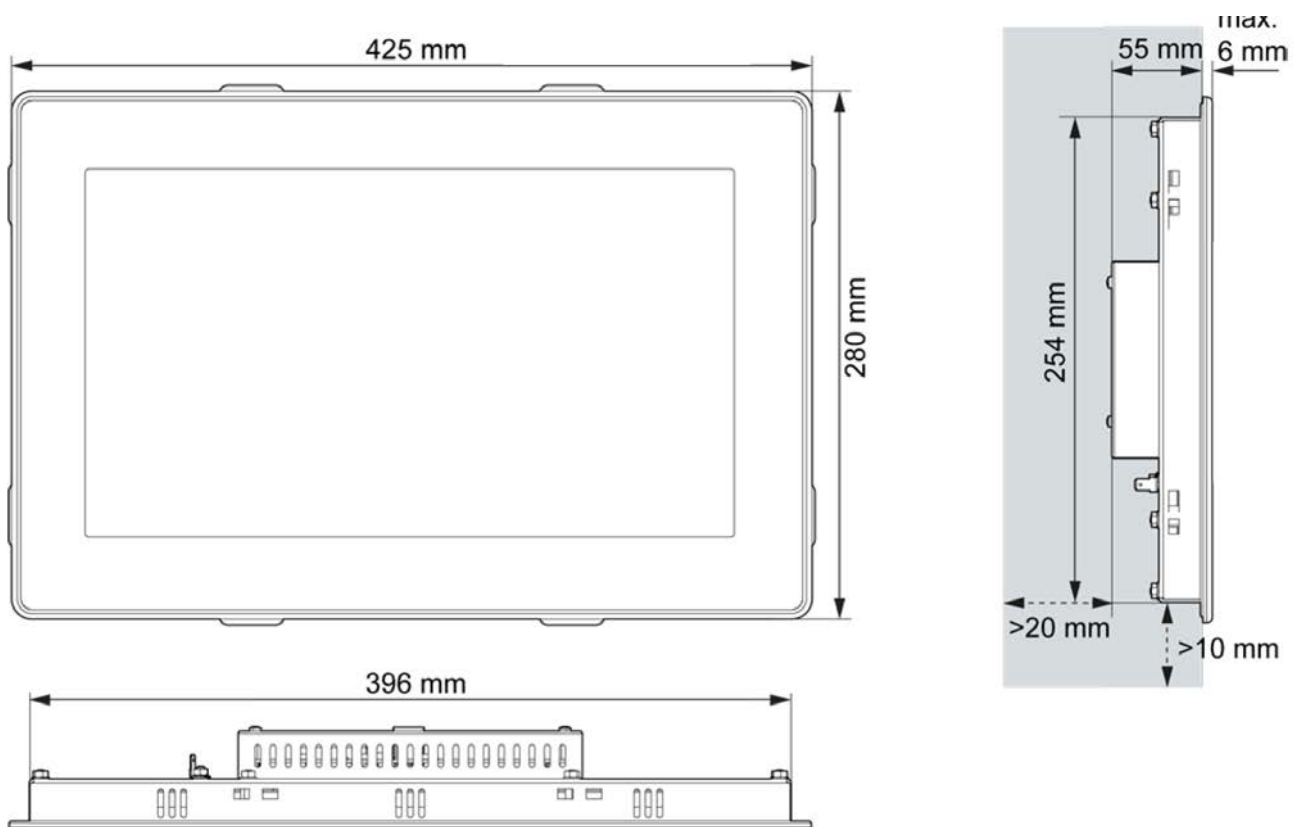


Fig. 3 Dimensional drawing GUI615

Technical Data GUI615

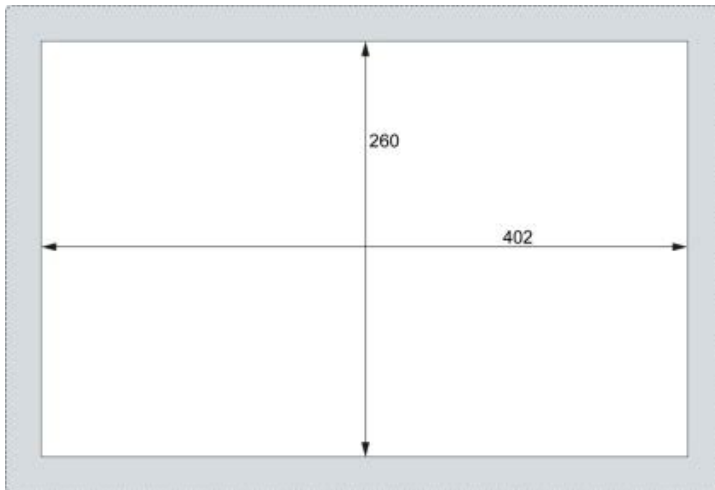


Fig. 4 Panel cut out GUI607 in mm

Cut a rectangular panel cut out in the support material

Height: 260.0 mm / 10.24" in
 Width: 402.0 mm / 16.54" in
 Max. corner radius: 3.0 mm / 0.12" in

Optimum thickness of the carrier material

Degree of protection IP65 with twist-lock catches:
 only for 1.5 ... 3.0 mm / 0.06 ... 0.12" in
 Optimal: 2.0 ... 3.0 mm / 0.08 ... 0.12" in
 Max.: 4.0 mm / 0.16" in

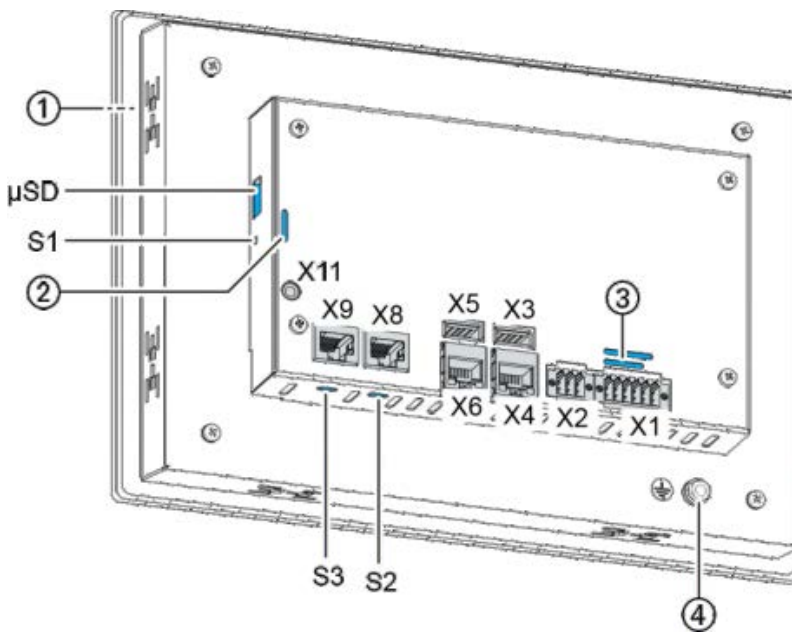


Fig. 5 GUI615 connecting diagram

Connections

Pos.	Description	Pos.	Description
1	Display 15.6"	X6	EtherCAT (ETH1)
2	LEDs: PWR, RUN/stop, error (DC)	X8	CAN Bus (DC)
3	LEDs: power, digital input/output	X9	RS-232/RS-485
4	Ground connector	X11	Debug interface (not used - just for LAMTEC service personal)
X1	Power supply, digital input/output	S1	Function key
X2	Analogue input	S2	Termination resistor CAN (120 Ω)
X3	USB 2.0	S3	Termination resistor RS-485 (120 Ω)
X4	Ethernet (ETH0)	μSD	Connection microSD card (for memory expansion)
X5	USB 2.0		

Technical Data GUI615

Type

GUI615 graphical user interface, 15,6" 24 VDC, panel installation | Type 668R1004

Technical Data GUI615

Dimensions (H × W × D)	425 × 280 × 55 mm / 16.73 x 11.02 x 2.16" in
Weight	3 kg / 6,61 lb
Installation	removable tensioned clamps
Supply voltage	24 VDC -15/+20 % SELV max. AC voltage component 5 % with inverse-polarity protection
Power consumption	
Module electronics current consumption	type 0.8 A, max. 1.2 A at +24 VDC
Display diagonal/resolution	15.6" display, 1366 × 768 (WXGA)
Touch screen type	resistive
Colours	TFT: 16.7 M (24 bits/pixel)
CPU	800 MHz ARM® CPU with Cortex™-A9 single core
RAM/flash/non-volatile memory	512 MB RAM/2048 MB flash/100 kB FRAM
Communication interfaces	2x Ethernet, 10/100 Base, RJ45
Flammability	

Environmental conditions

Operation	permitted temperature range	0 +55 °C (condensation prohibited) 32 131 °F
	permitted humidity	max. 85 %, non-condensing
Transport/Storage	permitted temperature range	-20 ... +70 °C (condensation prohibited) -4 ... 158 °F
	permitted humidity	max. 85 %, non-condensing
Degree of protection	DIN EN 60529	IP20 IP65 front
Protection class	DIN EN 60529	III
Electronic safety	insulation resistance	EN 61131-2
	insensitivity to interference	EN 61131-2
	emitted interference	EN 55011 class B, group 1
Mechanic safety	vibration	sinusoidal (EN 90068-2-6) Test: Fc; 10 - 150 Hz, 1 G (operating mode)
	shock resistance	15 G (approx. 150 m/s ² / 492.13 ft/s ²), duration 10 ms, semi-sinusoidal (EN 6068-2-27) Test: Ea

Certification:

CE	EN 61131-2	
CB Scheme	IEC 61010-2-201	
cUL _{us}	UL 61010-2-201	

NOTICE

The limits of the technical data must be strictly adhered to.

Order Information

Display modules GUI615

Description/Type	Order no.
GUI615 Graphical display module 15", 24 VDC, panel installation Touch panel with graphic menus for convenient curve programming, extended parameter setting and all system queries	668R1004



The information in this publication is subject to technical changes.

**LAMTEC Meß- und Regeltechnik
für Feuerungen GmbH & Co. KG**

Josef-Reiert-Straße 26

D-69190 Walldorf

Telefon: +49 (0) 6227 6052-0

Telefax: +49 (0) 6227 6052-57

info@lamtec.de

www.lamtec.de

