

Technical Data T-Adapter for Purge Operation

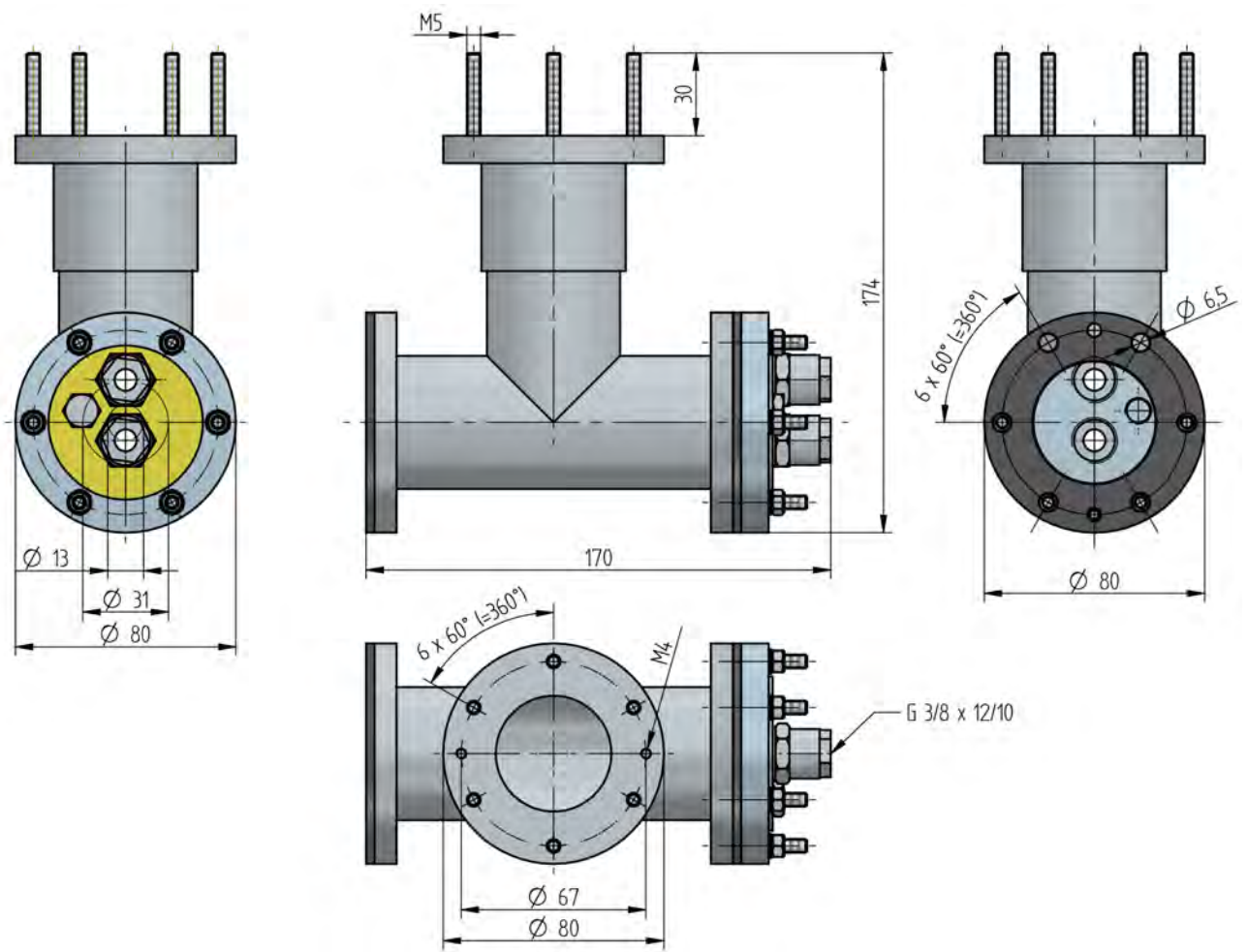


Fig. 1 T-adapter for probe mounting for purge operation inside/outside (in mm)

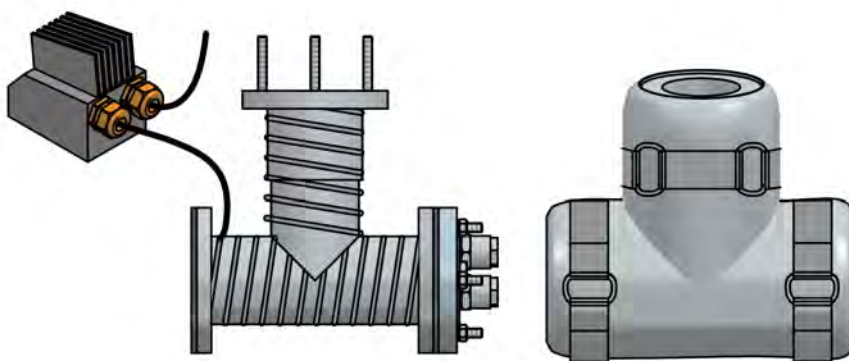


Fig. 2 T-adapter with coiled heating conductor, pneumatic connections, outer insulation and graphite sealing

Technical Data T-Adapter for Purge Operation

T-adapter for probe mounting for purge operation inside/outside

Version	T-adapter, incl. pneumatic connections and graphite sealing
Dimensions (H x W x D)	174 x 170 x 80 mm 6.85 x 6.69 x 3,15" in
Weight	2.15 kg 4.74 lb
Material	stainless steel 1.4571/1.4404
Hose connections	2x 12/10 mm 0.47/0.39" in

T-adapter for probe mounting for purge operation inside/outside, heated

Version	T-adapter, incl. coiled heating conductor, pneumatic connections, outer insulation and graphite sealing
Material	stainless steel 1.4571/1.4004
Dimensions (W x H x Ø)	174 x 170 x 80 mm 6.85 x 6.69 x 3,15" in
Weight	3.4 kg 7.5 lb
Hose connections	2x 12/10 mm 0.47 x 0.39 "in

Heating

Power supply voltage	230 VAC/140 W
Maximum heating temperature	220 °C 428 °F
Connecting pipework length	2 m 6.6 ft

NOTICE

The heated adapter is neither certified nor tested for Ex applications and is therefore not allowed to be used in areas with hazardous area requirements for explosion-protected components.

NOTICE

The limits of the technical data must be strictly adhered to.

Technical Data T-Adapter for Purge Operation

Order Information

T-adapter for probe mounting for purge operation inside/outside

Designation / Type	Order no.
T- Adapter for purge operation with compressed air, inside/outside, stainless steel 1.4571/1.4404, incl. seal, hose connection 2x 12/10 mm 0.47/0.39" in	655R1566

T-adapter for probe mounting for purge operation inside/outside, heated

Designation / type	Order no.
T-adapter heated, for purge operation ¹ , for compressed air, inside/outside, stainless steel 1.4571/1.4404, incl. seal and outside insulation, hose connection 2x 12/10 mm 0.47 x 0.39 "in, 230 VAC/140 W, cable length 2 m 6.6 ft	655R1571

1 Dedusting/purge unit, IP65, for T-adapter GED FLEX must be ordered separately, order no. 657R0934

The information in this publication is subject to technical changes.



**LAMTEC Meß- und Regeltechnik
für Feuerungen GmbH & Co. KG**

Josef-Reiert-Straße 26

D-69190 Walldorf

Telefon: +49 (0) 6227 6052-0

Telefax: +49 (0) 6227 6052-57

info@lamtec.de

www.lamtec.de

