

Technical Data Gas Extraction Device GED BASE



Fig. 1 Gas Extraction Device GED BASE

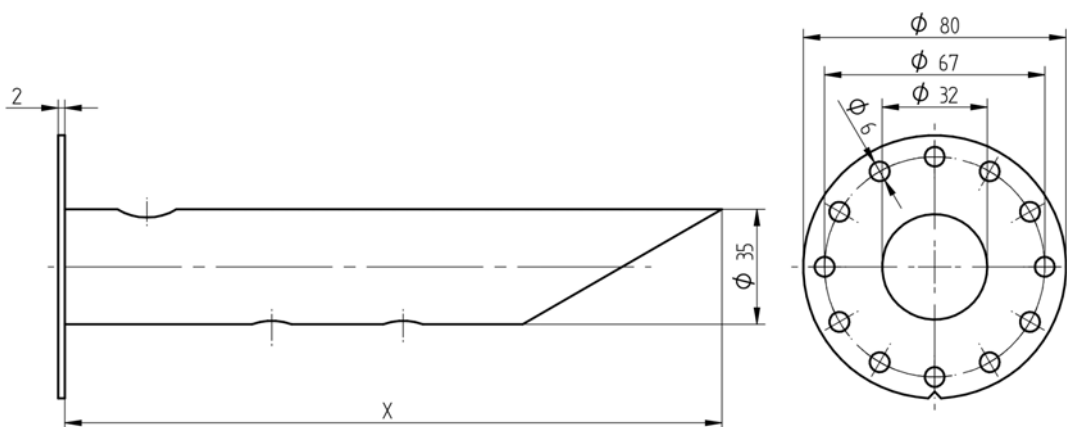


Fig. 2 GED BASE type 655R1420 ... 1422

Technical Data		
Diameter	35 mm 1.38" in	
Length	200 mm 7.87" in 350 mm 13.78" in 500 mm 19.69" in	
Material	stainless steel 1.4571/1.4404	
Weight	0.30 kg - 200 mm length 0.66 lb - 7.87" in length 0.46 kg - 350 mm length 1.01 lb - 13.78" in length 0.65 kg - 500 mm length 1.43 lb - 19.69" in length	
Using	in combination with KS1D-HT, KS1D-BF, KS1D-Ex, KS2DNO _x , LS2-HT, LS2-BF or LS2-Ex	
Operating conditions		
Dust exposure	< 200 mg/Nm ³	
Flow velocity	< 100 °C: 1 ... 10 m/s < 212 °F: 3.28 ... 32.81 ft/s > 100 °C: 1 ... 20 m/s > 212 °F: 3.28 ... 65.62 ft/s	
Environmental conditions		
Operation	permissible flue gas temperature	550 °C 1,022 °F at the GED BASE 450 °C 842 °F at probe head 300 °C 572 °F at probe head in combination with with LT3-F
Degree of protection	according to DIN EN 40050	IP 42

Technical Data Gas Extraction Device GED BASE

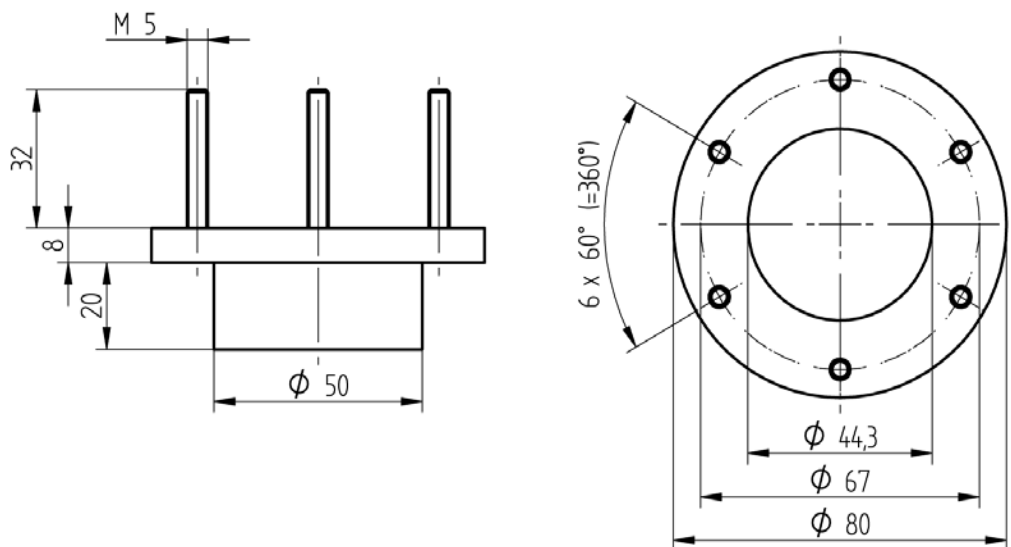


Fig. 3 Counter flange 655R1450

Counter flange

Version	for screwing 6 x M5 to GED BASE
Weight	0.28 kg 0.62 lb
Material	Stainless steel 1.4571/1.4404

Technical Data Gas Extraction Device GED BASE

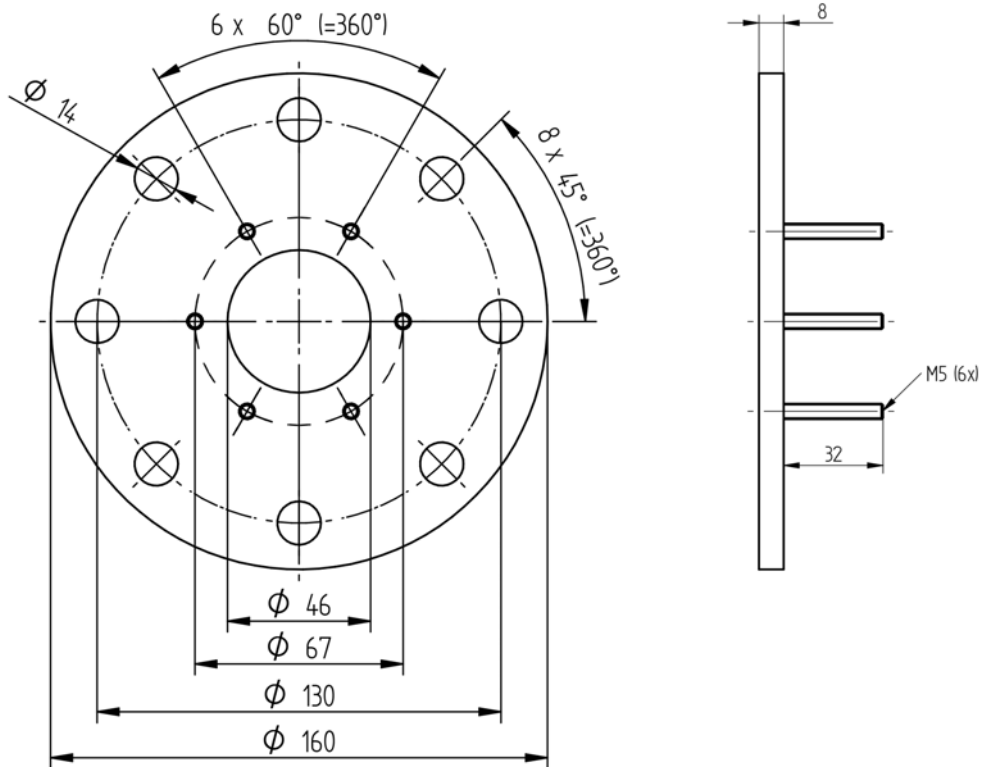


Fig. 4 Mounting flange DN65 PN6 for GED BASE

Mounting Flange	
Design	for screwing to counter flange DN65 PN6, for screwing to 6 x M5 on GED BASE.
Weight	1,3 kg 2.9 lb
Material	Stainless steel 1.4571/1.4404

NOTICE

When designing the GED BASE in 200 mm | 7.87" in, a maximum distance to the free exhaust gas canal of 50 mm | 1.97" in must be observed.

NOTICE

The limits of the technical data must be strictly adhered to.

Technical Data Gas Extraction Device GED BASE

Order Information

Gas Extraction Device GED BASE

Description / Type	Order no.
Gas Extraction Device GED BASE for HT- and NO _x applications up to 550 °C /1,022 °F, material stainless steel 1.4571/1.4404, L 200 mm 7.87 "in	655R1420
Gas Extraction Device GED BASE for HT- and NO _x applications up to 550 °C /1,022 °F, material stainless steel 1.4571/1.4404, L350 mm 13.78 "in	655R1421
Gas Extraction Device GED BASE for HT- and NO _x applications up to 550 °C /1,022 °F, material stainless steel 1.4571/1.4404, L 500 mm 19.69 "in	655R1422

Mounting Flange

Description / Type	Order no.
Mounting flange for GED BASE and HT/BF/NO _x probes DN65PN6 in 1.4571/1.4404	655R1451

Counter Flange

Description / Type	Order no.
Counter flange	655R1450
Counter flange DN65 PN6, with tube DN80, tube length 70 mm 2.76" in, steel, black cathodic coated	655R0179
Counter flange DN65 PN6, with tube DN80, tube length 70 mm 2.76" in, stainless steel 1.4571	655R0180
Flange seal for counter flange DN65 PN6, 3 mm 0.12" in graphite	655P4211

The information in this publication is subject to technical changes.



LAMTEC Meß- und Regeltechnik für Feuerungen GmbH & Co. KG

Josef-Reiert-Straße 26

D-69190 Walldorf

Telefon: +49 (0) 6227 6052-0

Telefax: +49 (0) 6227 6052-57

info@lamtec.de
www.lamtec.de

