

# Technical Data AEC-ST

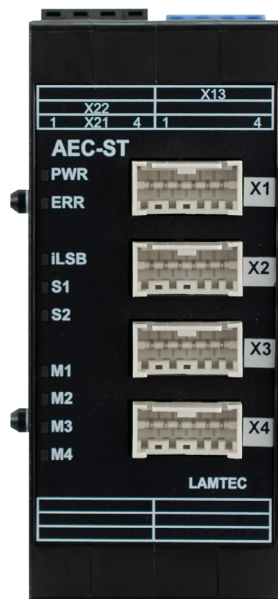


Fig. 1 Figure of AEC-ST

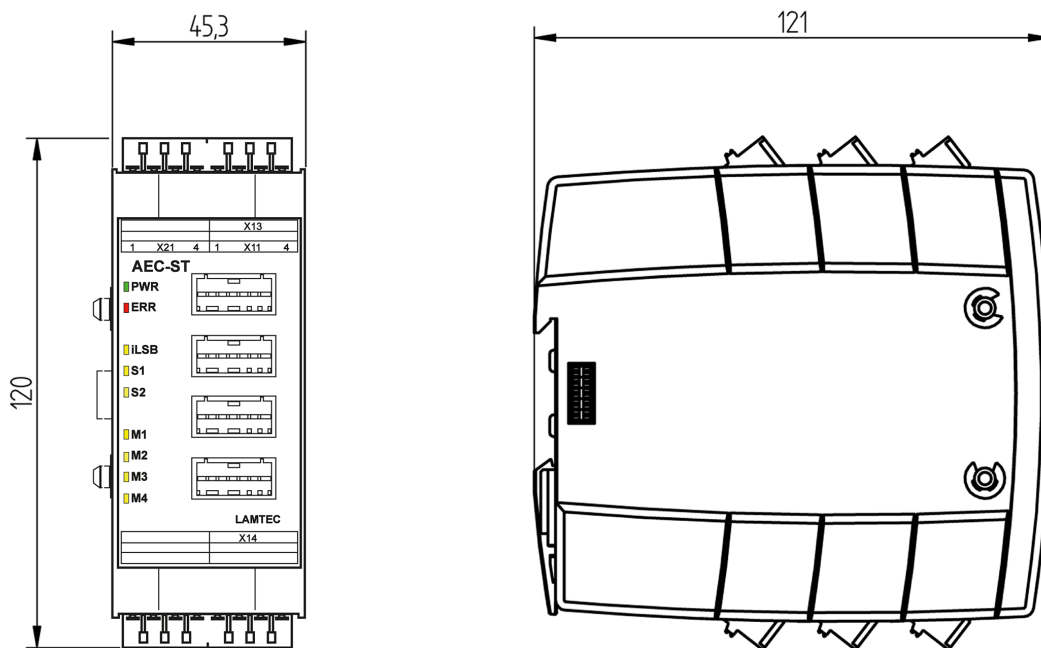


Fig. 2 AEC-ST dimensional drawing

## Item number

AEC-ST Actuator extension component – stepper motor

Type 668R0220-XX\*

\* XX = dependent on the configuration

## Technical Data AEC-ST

### AEC-ST technical data

Dimensions (H x W x D)	120 x 45.3 x 121 mm   4.73 x 1.78 x 4.76" in
Weight	0.260 kg   0.57 lb
Power supply voltage	24 VDC $\pm$ 20% (via plug-in connection from MCC and/or via X13)
Current consumption	min: 50 mA/max. 90 mA (without connected actuators)
Power consumption	min: 1.2 W/max. 2 W (without connected actuators)
Motor outputs	Resolution: 0.1° Usable: Rotation angle 90° Cable length max.: = 10 m   32.81 ft
Actuator power consumption	7-10 W
iLSB	Cable length: max.: = 70 m   229.66 ft Recommended cable: CAN cable according to IEC 11898 LAMTEC no.: 05L05 2x2x0.34 Lapp: Unitronic Bus CAN A 2x2x0.34
Flammability	UL94 V-0

### Environmental conditions

<b>Operation</b>	permissible temperature range	-30 ... +70 °C   -22 ... +158 °F (condensation prohibited)
	permissible ambient humidity	5% ... 95% relative air humidity
<b>Transport/ storage</b>	permissible temperature range	-40 ... +80 °C   -40 ... +176 °F (condensation prohibited)
	permissible ambient humidity	5% ... 95% relative air humidity
<b>Protection class</b>	DIN EN 60529	IP20 (when all terminals are fitted)

### NOTICE

The limits of the technical data must be strictly adhered to.

# Technical Data AEC-ST

## Order Information

Description / Type	Order no. - selection
AEC-ST Actuator Extension Component - Step, line voltage 24 VDC/1,5 W Module for controlling and monitoring of max. 4 step actuators	668R0220...
<b>A 10 – CUSTOMER</b>	<b>Selection</b>
STANDARD	S
<b>A 20 – COLOR</b>	<b>Selection</b>
BLACK	SW
<b>A 30 – CONNECTER SET</b>	<b>Selection</b>
SCREW TERMINALS (connector set included)	SC
SPRING TERMINALS (connector set included)	FED
WITHOUT Connector set not included, must be ordered separately, see "Separate Connector Sets for AEC-ST"	0

### Separate connector sets for AEC-ST

(when attribute 30 "CONNECTOR SET" = selection „0“)

Description / Type	Order no.
Screw Terminals AEC-ST	668R0066
Screw Terminals AEC-ST	668R0076

## Approvals



The information in this publication is subject to technical changes.

### LAMTEC GmbH & Co. KG

Josef-Reiert-Straße 26

69190 Walldorf

GERMANY

Telefon: +49 (0) 6227 6052-0

Telefax: +49 (0) 6227 6052-57

[info@lamtec.de](mailto:info@lamtec.de)

[www.lamtec.de](http://www.lamtec.de)

