

Technical Data BLC active

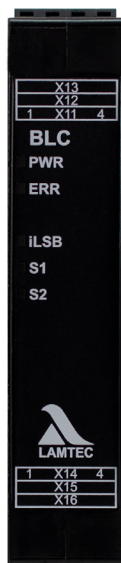


Fig. 1 BLC active

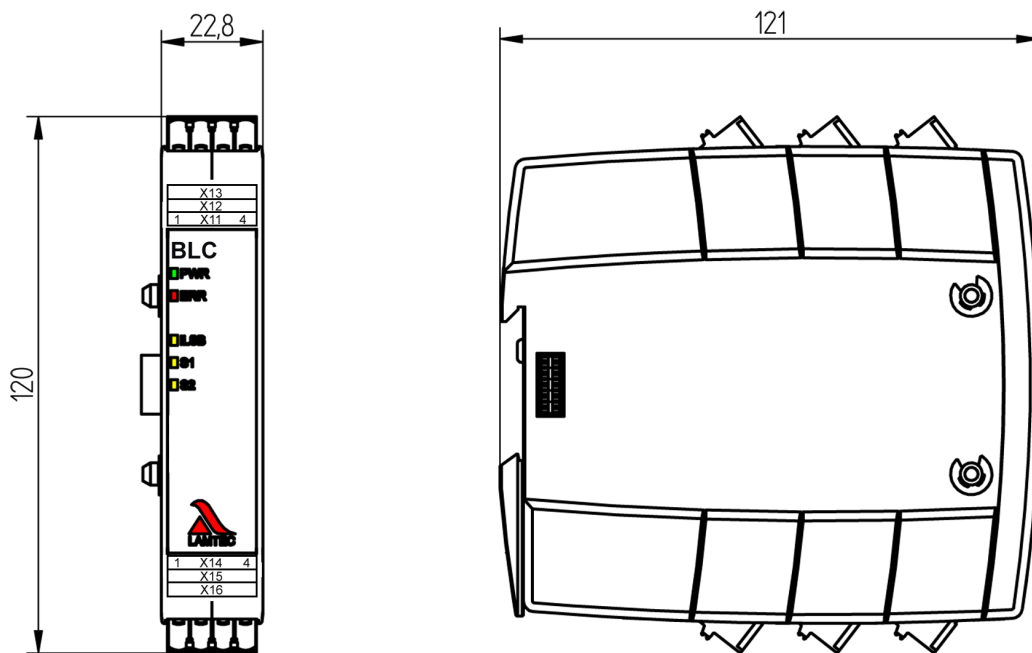


Fig. 2 BLC dimensional drawing

Item number	
BLC active	Type 668R0800-XX*

* XX = dependent on the configuration

Technical Data BLC active

Technical data BLC active

Dimensions (H x W x D)	120 x 22.8 x 121 mm 4.72 x 0.90 x 4.76" in
Weight	40 g 0.31 lb
Power supply voltage	24 VDC \pm 20 % (via plug-in connection from MCC) or via terminal X13
Internal fuse	8 A slow-blow
Bit rate	500 kbit/s
Flammability	UL94 V-0
BLC active Power consumption Current consumption	1.8 W or 75 mA

Environmental conditions

Operation	permissible temperature range	-30 ... +70 °C -22 ... +158 °F (condensation prohibited))
	permissible ambient humidity	5 % ... 95 % relative air humidity
Transport/ storage	permissible temperature range	-40 ... +80 °C -40 ... +176 °F (condensation prohibited))
	permissible ambient humidity	5 % ... 95 % relative air humidity
Protection class	DIN EN 60529	IP20 (when all terminals are fitted)

NOTICE

The limits of the technical data must be strictly adhered to.

Technical Data BLC active

Order Information

BLC active (available from system version V1.5)

Description / Type	Order no. - selection
BLC (active) Bus Link Component, Vcc 24 VDC	668R0800...
A 10 – VERSION	Selection
ACTIVE	00
A 20 – CUSTOMER	Selection
STANDARD	S
A 30 – COLOR	Selection
BLACK	SW
A 40 – CONNECTOR SET	Selection
SCREW TERMINALS (connector set included)	SC
SPRING TERMINALS (connector set included)	FED
WITHOUT Connector set not included, must be ordered separately, see "Separate Connector Sets for AEC-TPS"	0

Separate connector sets for BLC

(when attribute 40 CONNECTOR SET" = selection „0“)

Description / Type	Order no.
Screw Terminals BLC	668R0065
Spring Terminals BLC	668R0075

Approvals



The information in this publication is subject to technical changes.



LAMTEC GmbH & Co. KG

Josef-Reiert-Straße 26
69190 Walldorf
GERMANY

Telefon: +49 (0) 6227 6052-0
Telefax: +49 (0) 6227 6052-57

info@lamtec.de
www.lamtec.de

