

Technical Data Swing Frame 663R8035

Swing frame for FMS/VMS for mounting at the back pane of the cabinet.

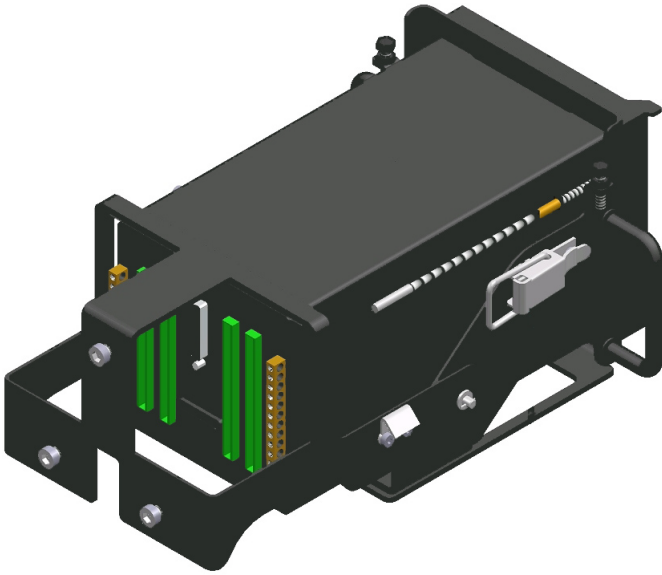


Fig. 1 Setting position

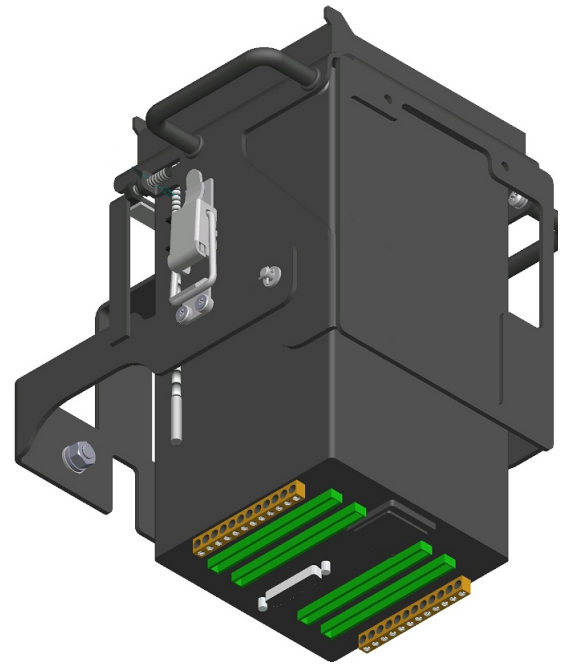


Fig. 2 Idle position

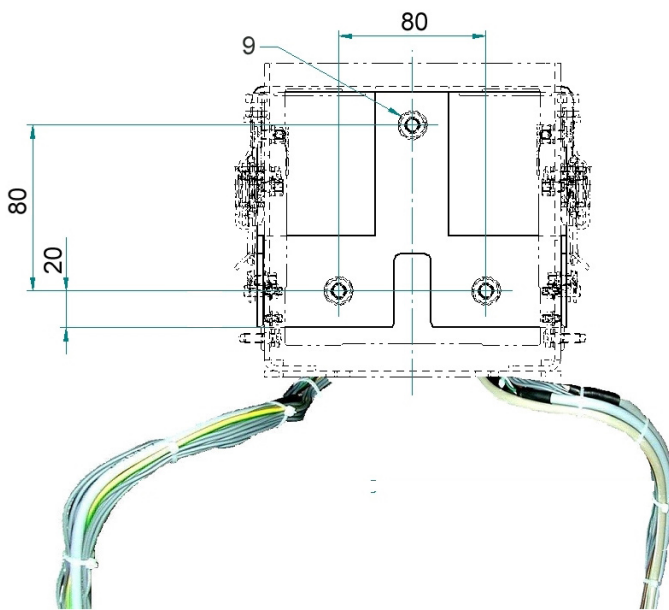


Fig. 3 Mounting dimensions

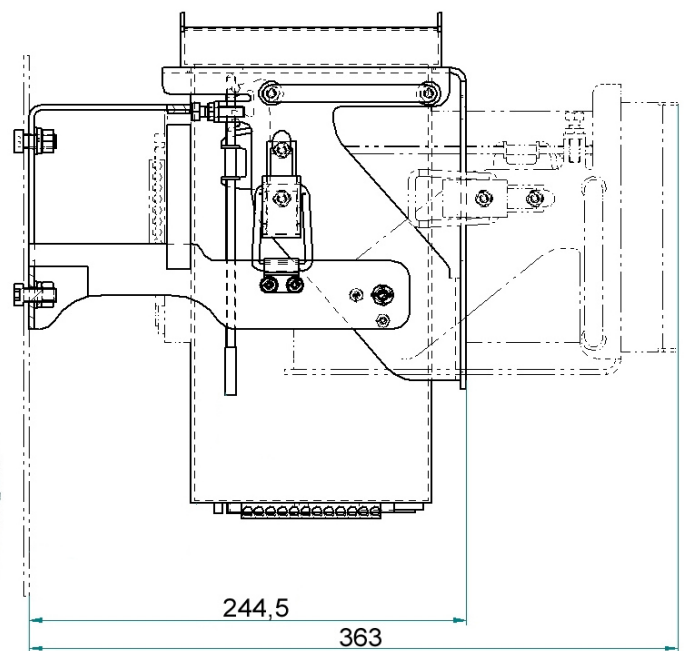


Fig. 4 Mounting position

Technical Data Swing Frame 663R8035

Technical Data

Measurement (hxbxd)	in hinged position:363x243x245 mm extended, with FMS/VMS: 170x243x363 mm
Minimum depth of cabinet	300 mm
Weight	2,3 kg
Material	Sheet steel, powder-coated RAL 9005

Other

Customs tariff no.	90329000
--------------------	----------

Order Information

Description/Type	Order no.
Swingframe for FMS/VMS	663R8035

The information in this publication is subject to technical changes.



LAMTEC GmbH & Co. KG

Josef-Reiert-Straße 26

69190 Walldorf

GERMANY

Telefon: +49 (0) 6227 6052-0

Telefax: +49 (0) 6227 6052-57

info@lamtec.de

www.lamtec.de

