

Technical Data sliding flange for NW35/48/70/89

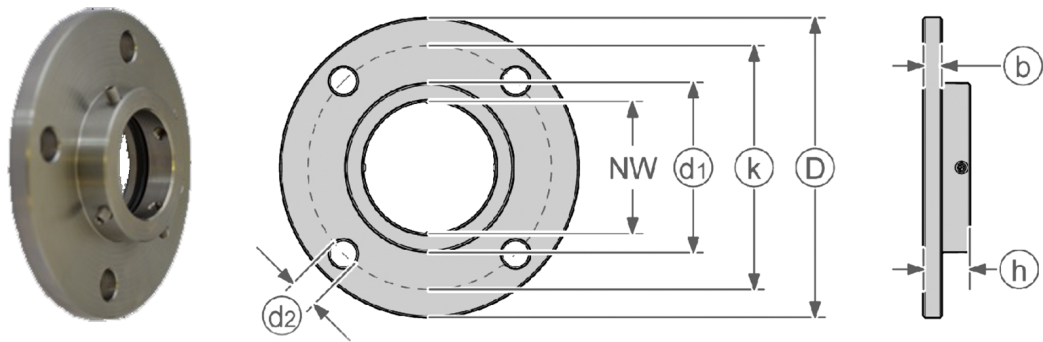


Fig. 1 Dimensions of the sliding flange of the GFI pilot burner

The flange is equipped with 4 grub screws to fix the outer tube in a defined position. The pipe lead through contains an EPDM O-ring seal.

Material	
Flange	1.4571 stainless steel, galvanized steel
O-ring seal	EPDM
Temperature range	-40 ... +120 °C -40 ... +248 °F
Pressure	1.0 bar 14.50 psi
Weight	NW35: 1.1 kg 2.20 lb NW48: 1.24 kg 2.73 lb NW70: 1.5 kg 3.30 lb NW89: 2.4 kg 5.29 lb
Dimensions	
b Flange plate thickness	NW35: 8 mm 0.31 in NW48: 10 mm 0.39 in NW70: 10 mm 0.39 in NW89: 15 mm 0.47 in
D Flange diameter	NW35: 130 mm 5.12 in NW48: 140 mm 5.51 in NW70: 160 mm 6.29 in NW89: 190 mm 7.48 in
d1 Outside collar diameter	NW35: 55 mm 2.17 in NW48: 70 mm 2.75 in NW70: 90 mm 3.54 in NW89: 115 mm 4.33 in
d2 Hole diameter	NW35: 14 mm 0.55 in NW48: 14 mm 0.55 in NW70: 14 mm 0.55 in NW89: 18 mm 0.70 in
h Total height	NW35: 23 mm 0.90 in NW48: 25 mm 0.98 in NW70: 25 mm 0.98 in NW89: 30 mm 1.18 in
k Hole circle diameter	NW35: 100 mm 3.94 in NW48: 110 mm 4.33 in NW70: 130 mm 5.11 in NW89: 150 mm 5.90 in
DN Nominal diameter	35/48/70/89

Technical Data sliding flange for NW35/48/70/89

Order Information

Description/Type	Order no.
GFI35 Sliding flange with O-ring seal and grub screws, DN50 PN6, 1.4571 (4 fixing holes)	646R4151
GFI48 Sliding flange with O-ring seal and grub screws, DN50 PN6, 1.4571 (4 fixing holes)	646R1151
GFI70 Sliding flange with O-ring seal and grub screws, DN65 PN6, 1.4571 (4 fixing holes)	646R2151
GFI89 Sliding flange with O-ring seal and grub screws, DN80 PN6, 1.4571 (4 fixing holes)	646R3151

The information in this publication is subject to technical changes.



**LAMTEC Meß- und Regeltechnik
für Feuerungen GmbH & Co. KG**

Josef-Reiert-Straße 26

D-69190 Walldorf

Telefon: +49 (0) 6227 6052-0

Telefax: +49 (0) 6227 6052-57

info@lamtec.de
www.lamtec.de

