

# Technical Data Cover IP65 for UI300 ... / UI400 ...

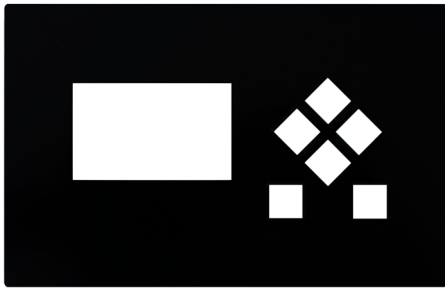


Fig. 1 Additional cover IP65 for the User Interface

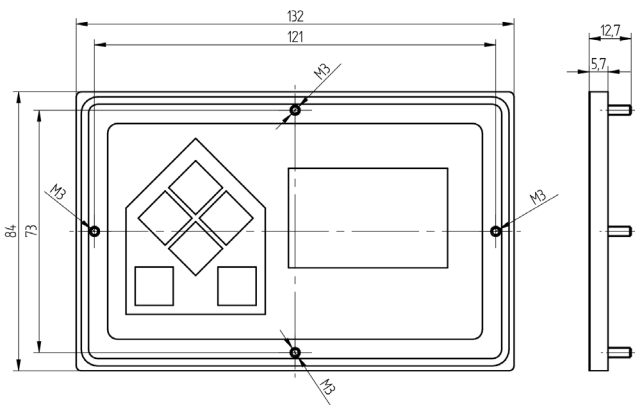
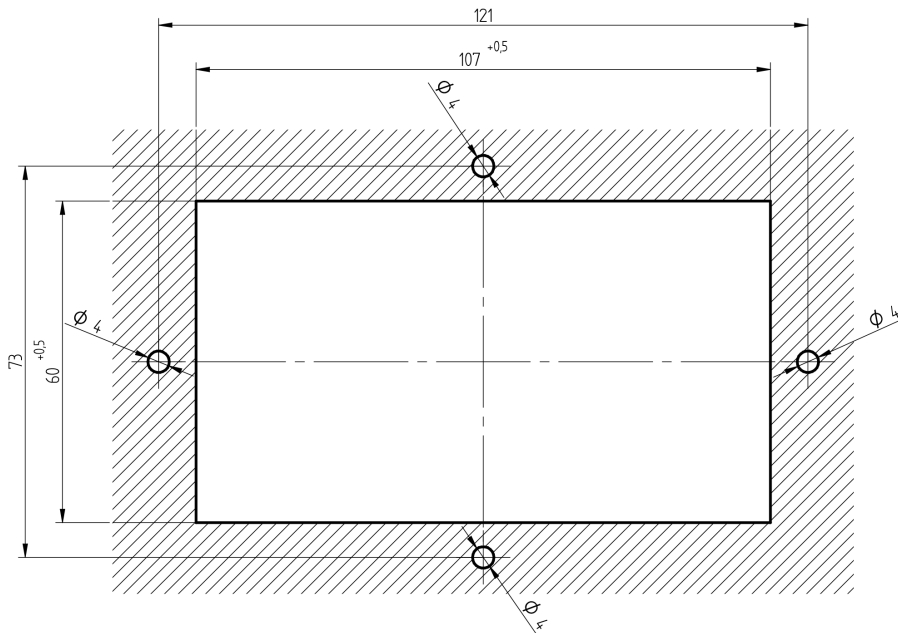


Fig. 2 Dimensional drawing for IP65



**Create a square cut-out and ensure that the burrs are removed.**

Height	60 mm   2.36 in
Width	107 mm   4.21 in

Fig. 3 Dimensional drawing panel cut-out including mounting bore for the IP65 cover

# Technical Data Cover IP65 for UI300 ... / UI400 ...

## Technical Data IP65 Cover of the User Interface

Dimensions (H x W x D)	84 x 132 x 5,7 mm   3.3 x 5.2 x 0.22" in
Mounting	by studs M3 x 6 mm   M3 x 0.24" in
Material	foiled aluminium cover with O-ring seal

## Environmental Conditions

<b>Operation</b>	permitted temperature range	-30 ... +70 °C (condensation prohibited)
	permitted humidity	5 ... 95 % relative humidity
<b>Transport/Storage</b>	permitted temperature range	-40 ... +80 °C (condensation prohibited)
	permitted humidity	5 ... 95 % relative humidity
<b>Degree of protection</b>	DIN EN 60529	IP65

## NOTICE

The limits of the technical data must be strictly adhered to.

## Order Information

Description/Type	Order no.
Additional cover IP65 for User Interface UI300... / UI400 ... incl. fixing screws	668R0320

The information in this publication is subject to technical changes.



### LAMTEC GmbH & Co. KG

Josef-Reiert-Straße 26

69190 Walldorf

GERMANY

Telefon: +49 (0) 6227 6052-0

Telefax: +49 (0) 6227 6052-57

[info@lamtec.de](mailto:info@lamtec.de)

[www.lamtec.de](http://www.lamtec.de)

