

Technical Data UV Flame Sensor KLC1000 / KLC10



Fig. 1 KLC1000

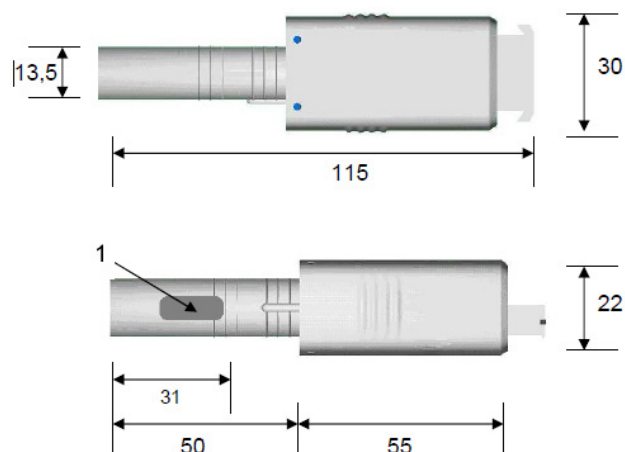


Fig. 2 Dimensions KLC1000 (1 = radial scanning opening)

KLC10/KLC1000

Input Data		
Power supply		KLC10: 120 VAC -15/+10 % 50-60 Hz KLC1000: 230/240 VAC -15/+10 % 50-60 Hz
Current consumption		5,5 mA
Optical Evaluation		
Spectral range		185 - 260 nm
Tolerable flame signal dips		200 ms
Alignment to the flame		left
Dimensions		
Weight		0,028 kg (1 oz)
Connecting cable length max.		3 m (9.8 ft)
Environmental Conditions		
Operation	temperature range	-20 ...+60 °C (-4 °F ... 140 °F) (temperatures >50 °C (122 °F) will reduce life cycle of the device)
	Humidity	max. 95 % r. h. (condensation is prohibited)
Degree of protection	DIN EN 60529	IP41
Electrical safety	protection class	II
	protecting against contact	DIN EN 60730-2-5

NOTICE

The limits of the technical data must be strictly adhered to.

Technical Data UV Flame Sensor KLC1000 / KLC10

Order Information

Description / Type	Order no.
KLC1000, UV flame sensor, radial illumination, IP41, 230 V	667R0800-1
KLC10, UV flame sensor, radial illumination, IP41, 120 V	667R0800-2
Mounting flange for KLC, 7 mm (0.276" in)	667R0812-1
Connecting cable for KLC, length 1.000 mm (39.37" in)	667R0813-1000
Connecting cable for KLC, length 2.000 mm (78.74" in)	667R0813-2000
Connecting cable for KLC, length 3.000 mm (118.11" in)	667R0813-3000



only KLC10

The information in this publication is subject to technical changes.



**LAMTEC Meß- und Regeltechnik
für Feuerungen GmbH & Co. KG**

Josef-Reiert-Straße 26

D-69190 Walldorf

Telefon: +49 (0) 6227 6052-0

Telefax: +49 (0) 6227 6052-57

info@lamtec.de
www.lamtec.de

