

Technical Data UI400

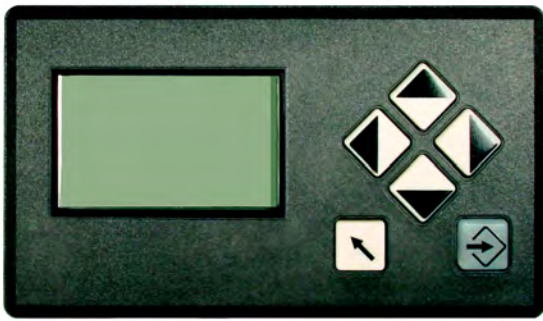


Fig. 1 UI400

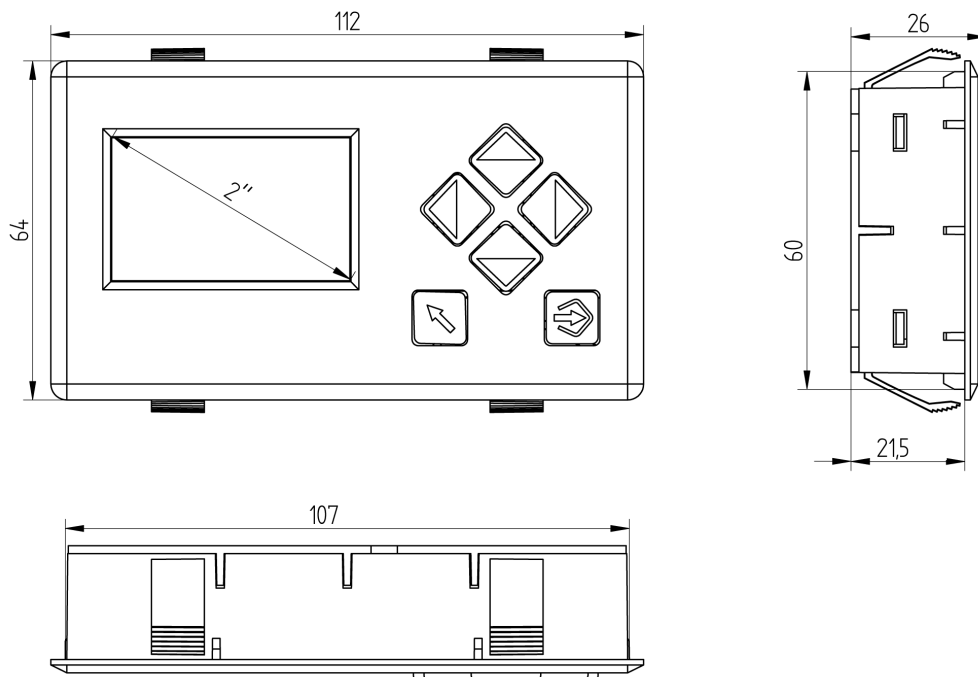


Fig. 2 Dimensional drawing UI400

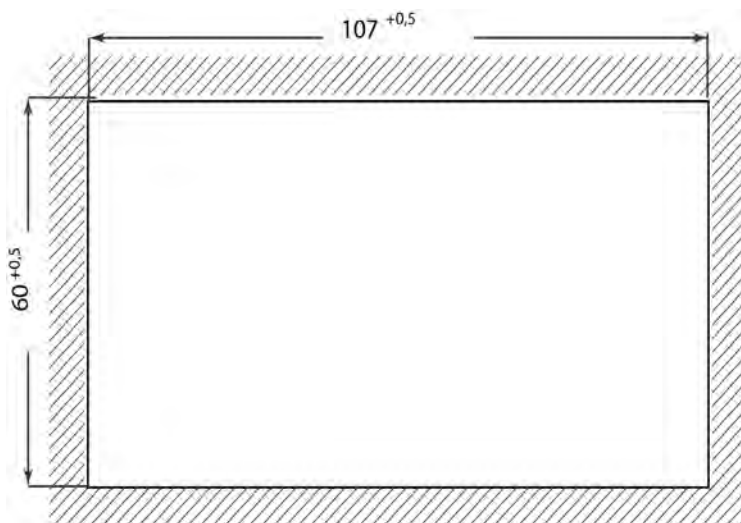


Fig. 3 UI400 panel cut-out

Technical Data UI400



Fig. 4 Additional cover IP65 for the User Interface

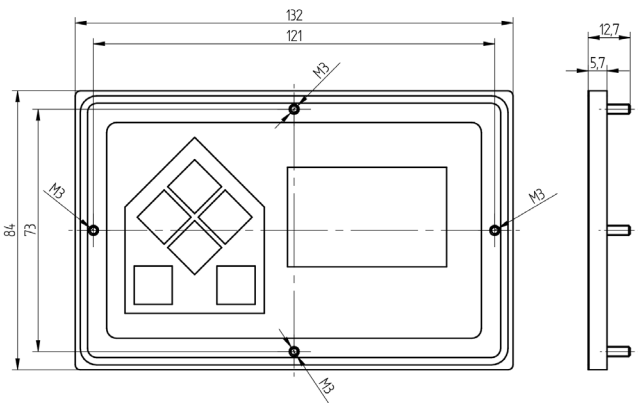
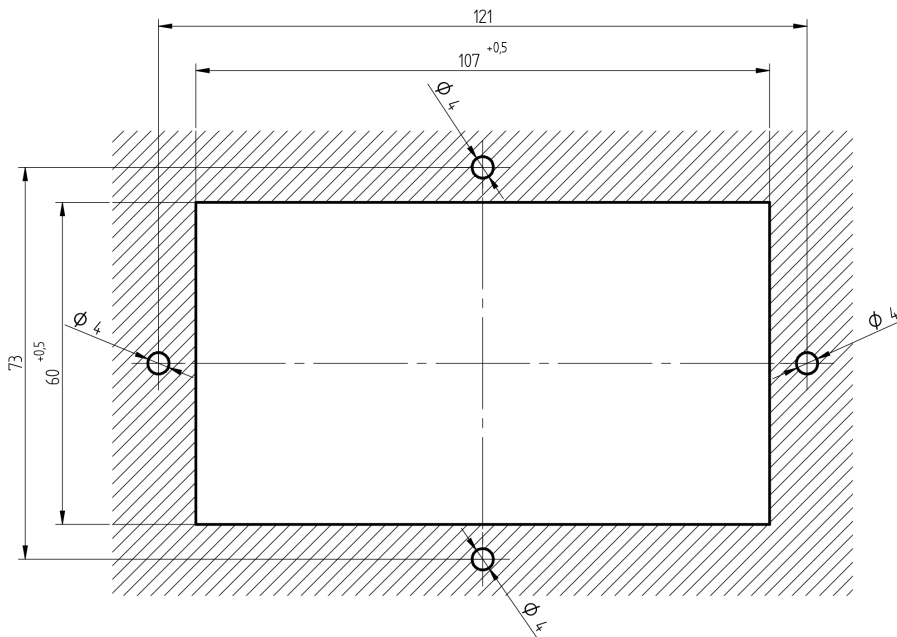


Fig. 5 Dimensional drawing IP65



Cut out a rectangular mounting cutout from the carrier material

Height	60 mm 2.36 in
Width	107 mm 4.21 in

Fig. 6 Dimensional drawing panel cutout including mounting bore for the IP65 cover

Technical Data UI400

Type

UI400 user interface, connection via LSB

Type 668R0300

Technical Data UI400

Display	128 x 64 pixels, monochrome white backlight (dimnable)
Dimensions (H x W x D)	64 x 112 x 26 mm / 2.52 x 4.41 x 1.02" in
Weight	0.149 kg / 0.33 lb
Power supply voltage	Via LSB
Power consumption	1 W
Flammability	UL-94 V0
Cable length	2.5 m / 98.42" in

Environmental Conditions

Operation	permitted temperature range	-30...+70 °C (condensation prohibited)/ -22 ... +158 °F	
	permitted humidity	5 % ... 95 % relative humidity	
Transport/Storage	permitted temperature range	-40...+80 °C (condensation prohibited)/ -40 ... +176 °F	
	permitted humidity	5 % ... 95 % relative humidity	
Degree of protection	DIN EN 60529	front	IP20
			IP65 (with additional cover)

Technical Data IP65 Cover of the User Interface

Dimensions (H x W x D)	84 x 132 x 5,7 mm 3.3 x 5.2 x 0.22 in
Mounting	by studs M3 x 6 mm M3 x 0.24 in
Material	foiled aluminium cover with O-ring seal

Environmental conditions

Degree of protection	DIN EN 60529	IP65
----------------------	--------------	------

NOTICE

The limits of the technical data must be strictly adhered to.

Technical Data UI400

Order Information

Display modules User Interface UI400

Description/Type	Order no.
UI400 User Interface, connection via LSB	668R0300

Accessories	Order no.
Additional cover IP65 for UI400 incl. fixing screws	668R0320



The information in this publication is subject to technical changes.



**LAMTEC Meß- und Regeltechnik
für Feuerungen GmbH & Co. KG**

Josef-Reiert-Straße 26

D-69190 Walldorf

Telefon: +49 (0) 6227 6052-0

Telefax: +49 (0) 6227 6052-57

info@lamtec.de
www.lamtec.de

