

Technical Data Gas Damper 662R24, Stainless Steel

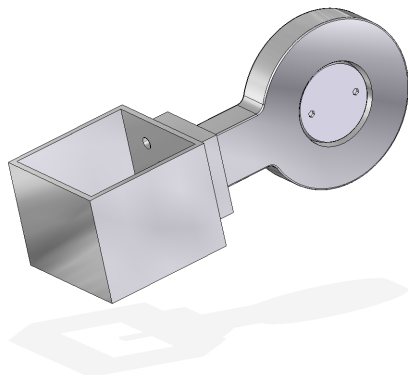


Fig. 1 gas damper with console

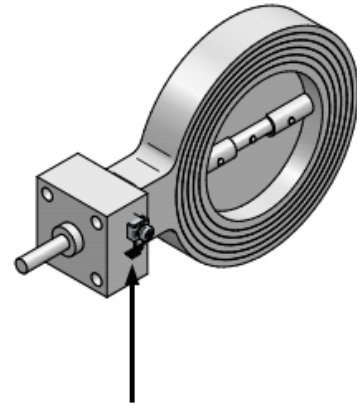


Fig. 2 gas damper with ground terminal for Ex application

| | |
|---|--|
| Description | Actuator for control without zero flow, in the complete combustion technology |
| Test specification | type approval according to 90/396/EWG Prod. ID. No. CE-0085-AR0408 DIN 3394-1 Class R _O DIN 3391 (for medium temperature of: -20 ... +60 °C / -4 ... +140 °F) |
| Operating pressure | 0 to 4 bar |
| Type of control | for electrical actuators |
| Mounting position | optional |
| Design | butterfly disc without limit-stop |
| Differential pressure delta P _{max.} | DN25-DN50 4 bar DN65-DN100 2 bar |
| Leakage rate without stop bar | 1 % of K _{VS} -value 90° |
| Mounting | intermediate flange butterfly - clamp design |
| Explosion protection | the gas damper is not covered by the directive 2014/34/EU, because with the loads occurring in practice, no effective ignition source occurs even in the event of a fault. The damper must be grounded. |

Gas Damper 662R24

| | |
|-------------------------------|------------------------|
| Housing material | stainless steel 1.4301 |
| Material control disk / shaft | stainless steel |
| Shaft seal | NBR- O-ring |

Environmental Conditions

| | | |
|--------------------------|-------------------------------|--------------------------------|
| Operation | permissible temperature range | -20 ... +60 °C / -4 ... 140 °F |
| Storage/Transport | permissible temperature range | -20 ... +60 °C / -4 ... 140 °F |

Environmental Conditions Gas Damper 662R24V

| | | |
|----------------------------|--|---------------------------------|
| Ambient Temperature | permissible temperature range | -20 ... +60 °C / -4 ... +140 °F |
| Medium | aggressive gases (biogas and hydrogen) | |
| Flow Rate | non-linear | |

Technical Data Gas Damper 662R24, Stainless Steel

NOTICE

The limits of the technical data must be strictly adhered to.

NOTICE

The gas damper is not suitable for pure oxygen.

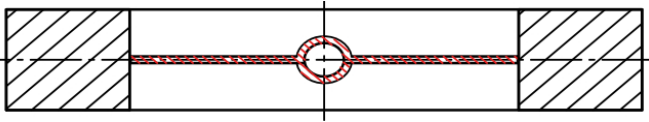


Fig. 3 Butterfly disc (non-linear flow rate)

| | | |
|---------------------------|---------------|------------------------------------|
| Suitable pressure stages: | DN25 - DN80 | PN10 - PN40, ANSI 300 lbs |
| | DN100 | PN10 - PN40, ANSI 150 lbs, 300 lbs |
| | DN125 - DN150 | PN10 - PN16, ANSI 150 lbs, 300 lbs |
| | DN200 | PN10 - PN16, ANSI 150 lbs |
| | DN250 | PN10, ANSI 150 lbs |
| | DN300 | PN6 - PN10 |
| | DN350 - DN400 | PN6 - PN16 |

Technical Data Gas Damper 662R24, Stainless Steel

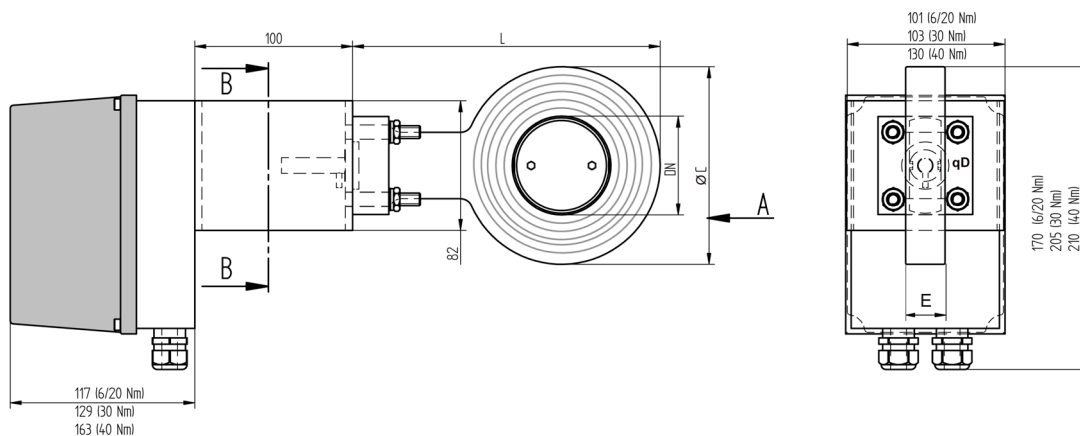


Fig. 4 Butterfly valve with console and coupling mounted on actuator controlled by ETAMATIC/FMS/VMS

Fig. 5 Butterfly valve with console and coupling mounted on a motor controlled by BT300

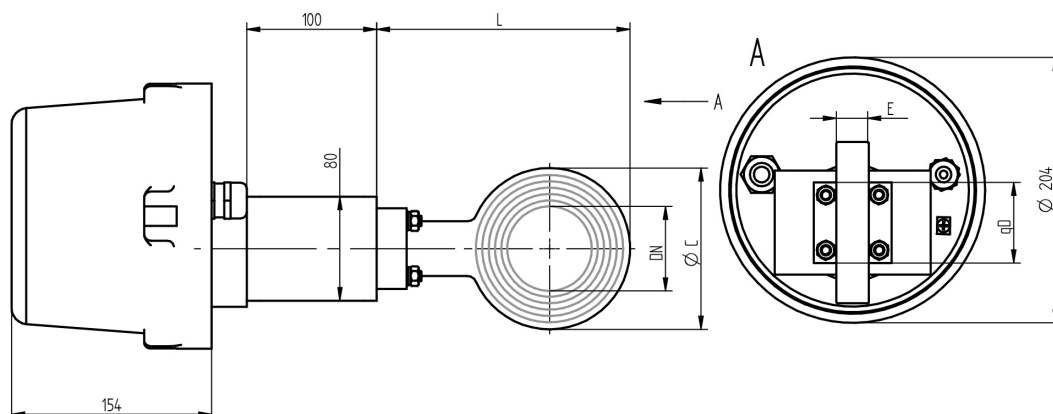


Fig. 6 Butterfly valve with console and coupling mounted on Ex-actuator controlled by ETAMATIC/FMS/VMS

Technical Data Gas Damper 662R24, Stainless Steel

| Non-linear type stainless steel | DN | L | ∅ C | q D | E |
|------------------------------------|-------|-----|-----|-----|----|
| 662R24V/025/000 | 25=30 | 153 | 70 | 60 | 25 |
| 662R24V/032/000 | 32 | 153 | 70 | 60 | 25 |
| 662R24V/040/000 | 40 | 166 | 90 | 60 | 25 |
| 662R24V/050/000 | 50 | 183 | 104 | 60 | 25 |
| 662R24V/065/000 | 65 | 195 | 124 | 60 | 25 |
| 662R24V/080/000 | 80 | 211 | 139 | 60 | 30 |
| 662R24V/100/000 | 100 | 231 | 161 | 60 | 30 |
| 662R24V/125/000 | 125 | 258 | 191 | 60 | 35 |
| 662R24V/150/000 | 150 | 283 | 214 | 60 | 35 |
| 662R24V/200/000 | 200 | 344 | 270 | 80 | 40 |
| 662R24V/250/000 | 250 | 394 | 320 | 80 | 40 |
| 662R24V/300/000 | 300 | 444 | 370 | 80 | 45 |
| 662R24V/350/000 | 350 | 523 | 428 | 80 | 45 |
| 662R24V/400/000 | 400 | 561 | 465 | 80 | 45 |

Technical Data Gas Damper 662R24, Stainless Steel

Order Information

Gas damper for biogas, up to 60 °C / 140 °F, stainless steel, non-linear, without DVGW-proof
 – Configuration incl. console, coupling and assembly to Actuator *

| Description/Type | Order no. |
|--|------------|
| Gas butterfly valve, stainless steel, DVGW proofed, incl. console and coupling, pre assembled as set, including: | 662R24V... |

Set position 1

| Description/Type | Order no. |
|---|-----------|
| Gas damper, stainless steel for clamping between flanges, permitted up to max. 60 °C / 140 °F, DVGW approved CE-0085AS0134, flow not linear, valve without stop bar, leakage appr. 1 % of Kvs-value 90°, operation pressure: max. 6 bar / 87.02 psi | 662R24... |

| A10 "INTERNAL DIAMETER" | | | Selection |
|-------------------------|---|------------------------------------|-----------|
| INTERNAL DIAMETER DN25 | 0 ... 4 bar, Δ P max. 4 bar 0 ... 58.02 psi, Δ P max. 58.02 psi | PN10 - PN40, ANSI 300 lbs | 025 |
| INTERNAL DIAMETER DN32 | 0 ... 4 bar, Δ P max. 4 bar 0 ... 58.02 psi, Δ P max. 58.02 psi | PN6 - PN40, ANSI 150 lbs, 300 lbs | 032 |
| INTERNAL DIAMETER DN40 | 0 ... 4 bar, Δ P max. 4 bar 0 ... 58.02 psi, Δ P max. 58.02 psi | PN10 - PN40, ANSI 300 lbs | 040 |
| INTERNAL DIAMETER DN50 | 0 ... 4 bar, Δ P max. 4 bar 0 ... 58.02 psi, Δ P max. 58.02 psi | PN10 - PN40, ANSI 300 lbs | 050 |
| INTERNAL DIAMETER DN65 | 0 ... 4 bar, Δ P max. 2 bar 0 ... 58.02 psi, Δ P max. 29.01 psi | PN10 - PN40, ANSI 300 lbs | 065 |
| INTERNAL DIAMETER DN80 | 0 ... 4 bar, Δ P max. 2 bar 0 ... 58.02 psi, Δ P max. 29.01 psi | PN10 - PN40, ANSI 300 lbs | 080 |
| INTERNAL DIAMETER DN100 | 0 ... 4 bar, Δ P max. 2 bar 0 ... 58.02 psi, Δ P max. 29.01 psi | PN10 - PN40, ANSI 150 lbs, 300 lbs | 100 |
| INTERNAL DIAMETER DN125 | 0 ... 4 bar, Δ P max. 1 bar 0 ... 58.02 psi, Δ P max. 14.50 psi | PN10 – PN16, ANSI 150 lbs, 300 lbs | 125 |
| INTERNAL DIAMETER DN150 | 0 ... 4 bar, Δ P max. 1 bar 0 ... 58.02 psi, Δ P max. 14.50 psi | PN10 – PN16, ANSI 150 lbs, 300 lbs | 150 |
| INTERNAL DIAMETER DN200 | 0 ... 4 bar, Δ P max. 1 bar 0 ... 58.02 psi, Δ P max. 14.50 psi | PN10 – PN16, ANSI 150 lbs | 200 |
| INTERNAL DIAMETER DN250 | 0 ... 4 bar, Δ P max. 0.5 bar 0 ... 58.02 psi, Δ P max. 7.25 psi | PN10, ANSI 150 lbs | 250 |
| INTERNAL DIAMETER DN300 | 0 ... 4 bar, Δ P max. 0.3 bar 0 ... 58.02 psi, Δ P max. 4.35 psi | PN6 – PN10 | 300 |
| INTERNAL DIAMETER DN350 | 0 ... 4 bar, Δ P max. 0.2 bar 0 ... 58.02 psi, Δ P max. 2.90 psi | PN10 – PN16 | 350 |

| A20 "REDUCTION" | Selection |
|--------------------------------------|-----------|
| WITHOUT REDUCTION | 000 |
| REDUCED TO SPECIFICATION BY CUSTOMER | — |

Technical Data Gas Damper 662R24, Stainless Steel

Set position 2

| Description/Type | Order no. |
|---|------------------|
| Assembling unit of the valve for actuator | Montage1... |
| A10 "MOUNTING" | Selection |
| UP TO DN150, FOR ASSEMBLING TO MOTOR WITH SHAFT \varnothing d=10 mm / 0.39" in AND PARALLEL KEY 3 x 3 mm / 0.12 x 0.12" in ** | 11 |
| UP TO DN150, FOR ASSEMBLING TO MOTOR WITH SHAFT \varnothing d=12 mm / 0.47" in AND PARALLEL KEY 4 x 4 mm / 0.16 x 0.16" in ** | 12 |
| FROM DN200, FOR ASSEMBLING TO MOTOR WITH SHAFT \varnothing d=12 mm / 0.47" in AND PARALLEL KEY 4 x 4 mm / 0.16 x 0.16" in ** | 21 |
| FROM DN200, FOR ASSEMBLING TO MOTOR WITH SHAFT \varnothing d=20 mm / 0.79" in AND PARALLEL KEY 6 x 6 mm / 0.24 x 0.24" in ** | 22 |
| UP FROM DN200, FOR ASSEMBLING TO MOTOR WITH SHAFT \varnothing =12 mm / 0.47" in AND PARALLEL KEY 4x4 mm / 0.16 x 0.16" in INCL. THERMAL INSULATION ** (if flue gas temperature >100 °C / >212 °F) | 25 |
| UP FROM DN200, FOR ASSEMBLING TO MOTOR WITH SHAFT \varnothing =20 mm / 0.79" in AND PARALLEL KEY 6 x 6 mm / 0.24 x 0.24" in INCL. THERMAL INSULATION ** (if flue gas temperature >100 °C / >212 °F) | 26 |
| FOR ASSEMBLING TO EX-MOTOR *** | 3 |
| FOR ASSEMBLING TO BT-MOTOR **** | 4 |

- * Actuator must be ordered separately, following information are indicative at a difference pressure of 0.1 bar / 1.45 psi:
- | | | | | | |
|----------------|---------|-------------------------|-----------------|---------|-------------------------|
| DN25 ... DN125 | → 6 Nm | Type 662R2127, 668M2006 | DN150 ... DN250 | → 20 Nm | Type 662R2111, 668M2020 |
| DN300 | → 30 Nm | Type 662R2112, 668M2040 | DN350 | → 40 Nm | Type 662R2121, 668M2040 |
- ** Assembly unit for motor type 662R2111 ... 662R2127/668M2006 ... 668M2040
- *** Assembly unit for motor type 662R2140/662R2141
- **** Assembly unit for motor type 662R500X-0



The information in this publication is subject to technical changes.



LAMTEC Meß- und Regeltechnik für Feuerungen GmbH & Co. KG

Josef-Reiert-Straße 26
D-69190 Walldorf
Telefon: +49 (0) 6227 6052-0
Telefax: +49 (0) 6227 6052-57

info@lamtec.de
www.lamtec.de

