

# Technical Data SDI



Fig. 1 SDI photo

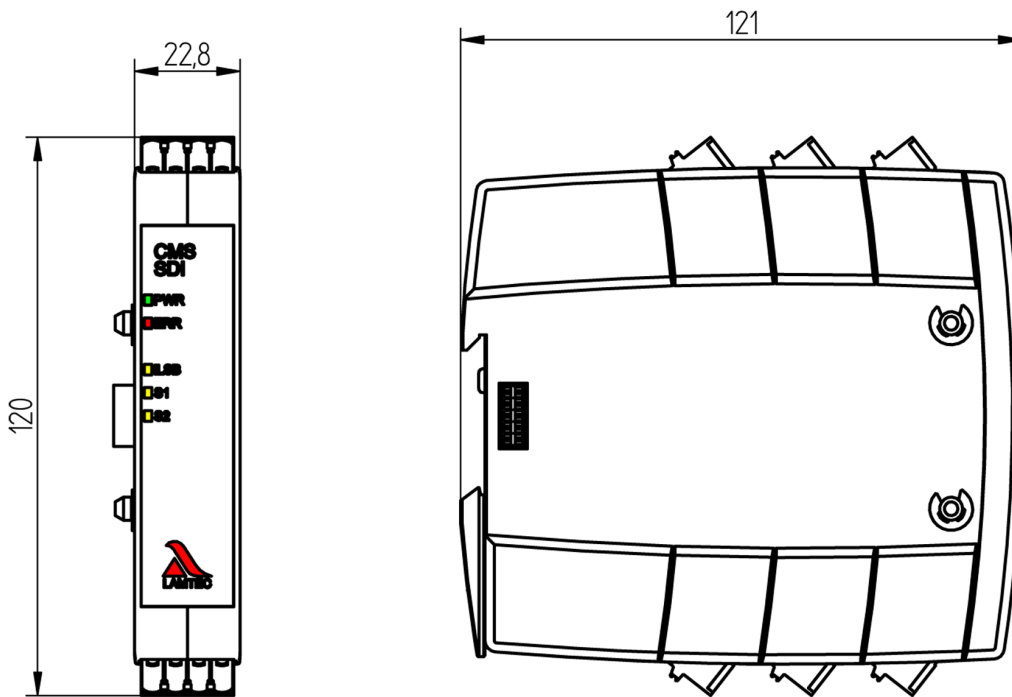


Fig. 2 SDI dimensional drawing

Item number	
SDI Safe digital input component	Type 668R0400-XX*

\* XX = dependent on the configuration

## Technical Data SDI

### SDI technical data

Dimensions (H x W x D)	120 x 22.8 x 121 mm
Weight	0.140 kg
Power supply voltage	24 VDC $\pm$ 20% (via plug-in connection from MCC)
Current consumption	min: 40 mA max: 45 mA
Power consumption	1.5 W max.
Flammability	UL94 V-0

### Digital signal inputs

	+24 VDC	120 VAC	230 VAC
Nominal input current	2.1 mA Impedance 11 k $\Omega$	2.1 mA Impedance 57 k $\Omega$	2.3 mA Impedance 100 k $\Omega$
<b>Due to the low input currents of the CMS, we recommend using appropriate contact material, e.g. gold-plated silver contacts, or wiring the encoder contacts accordingly.</b>			
Signal ON (min)	0.55 mA $\underline{\underline{\geq}}$ 6.9 VDC	0.97 mA $\underline{\underline{\geq}}$ 56 VAC	0.78 mA $\underline{\underline{\geq}}$ 77 VAC
Signal OFF (max)	0.27 mA $\underline{\underline{\geq}}$ 4 VDC	0.35 mA $\underline{\underline{\geq}}$ 21 VAC	0.35 mA $\underline{\underline{\geq}}$ 36 VAC
Cable length	Max. 200 m		

### Environmental conditions

<b>Operation</b>	permissible temperature range	-30 ... +70 °C (condensation prohibited)
	permissible ambient humidity	5 % ... 95 % relative air humidity
<b>Transport/storage</b>	permissible temperature range	-40 ... +80 °C (condensation prohibited)
	permissible ambient humidity	5 % ... 95 % relative air humidity
<b>Protection class</b>	DIN EN 60529	IP20 (when all terminals are fitted)

### Operating altitude above sea level

$\leq$ 2000 m above sea level	Without restriction
<b>2000 m &lt; z <math>\leq</math> 5000 m above sea level</b>	Can be used with the following restrictions: <ul style="list-style-type: none"> <li>Reduction of the maximum ambient temperature according to the 'Temperature underload for use &gt; 2000 m above sea level' diagram due to reduced cooling properties of the ambient air at altitudes above 2000 m and 24 VDC or 120 VAC power supply to the inputs/outputs.</li> </ul>

# Technical Data SDI

## Operating altitude above sea level

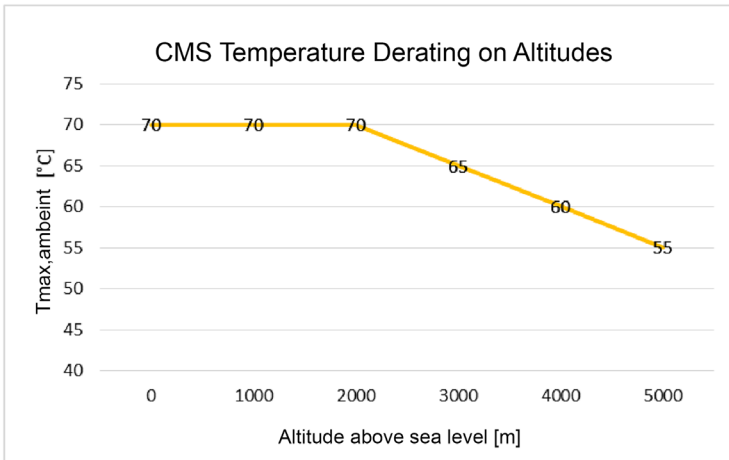


Fig. 3 Temperature underload for use >2000m above sea level



### CAUTION!

Devices with 230 VAC input/output power supply not approved for use >2000 m

## EU Declaration of Conformity

2014/35/EU	Low Voltage Directive
2014/30/EU	EMC Directive
2014/68/EU	Pressure Equipment Directive Kat. 4 Mod. B+D
(EU) 2016/426	Gas Appliance Regulation (GAR)
2011/65/EU	RoHS

### NOTICE

The limits of the technical data must be strictly adhered to.

# Technical Data SDI

## Order Information

Description/Type	Order no. - selection
SDI Safe Digital Input Component, power supply 24 VDC/1,1 W Module with 8 safety digital inputs	668R0400...
<b>A 10 – CONTACTOR VOLTAGE DIGITAL INPUT</b>	<b>Selection</b>
120 VAC	120VAC
230 VAC	230VAC
24 VDC	24VDC
<b>A 20 – CUSTOMER</b>	<b>Selection</b>
STANDARD	S
<b>A 30 – COLOR</b>	<b>Selection</b>
BLACK (STANDARD)	SW
<b>A 40 – CONNECTOR SET</b>	<b>Selection</b>
SCREW TERMINALS Connector set included	SC
SPRING TERMINALS Connector set included	FED
WITHOUT Connector set not included, must be ordered separately, see „Separate Connector Sets for SDI“	0

### Separate connector sets for SDI

when attribute 40 „CONNECTOR SET“ = selection „0“

Description/Type	Order no.
Screw Terminals SDI Contactor Voltage Digital Input 120/230 VAC	668R0088
Screw Terminals SDI Contactor Voltage Digital Input 24 VDC	668R0089
Spring Terminals SDI Contactor Voltage Digital Input 120/230 VAC	668R0098
Spring Terminals SDI Contactor Voltage Digital Input 24 VDC	668R0099

## Approvals



The information in this publication is subject to technical changes.



### LAMTEC Meß- und Regeltechnik für Feuerungen GmbH & Co. KG

Josef-Reiert-Straße 26  
D-69190 Walldorf  
Telefon: +49 (0) 6227 6052-0  
Telefax: +49 (0) 6227 6052-57

[info@lamtec.de](mailto:info@lamtec.de)  
[www.lamtec.de](http://www.lamtec.de)

