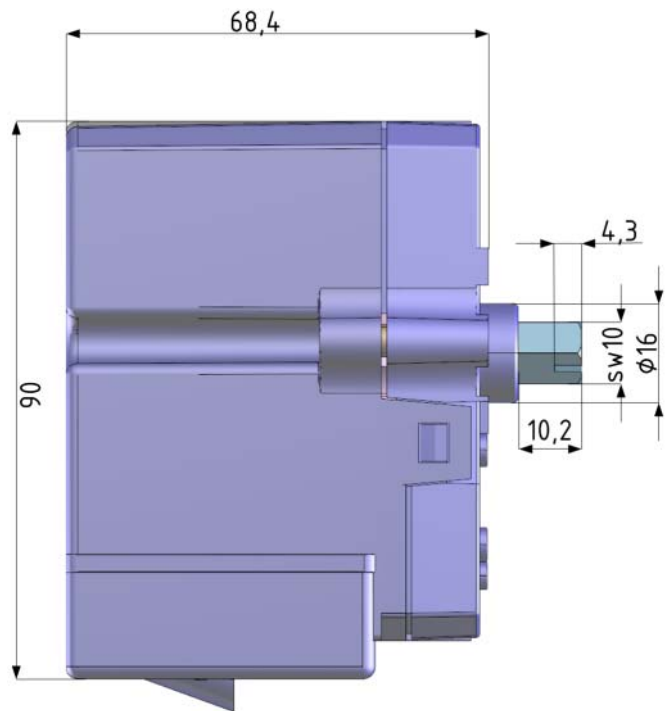
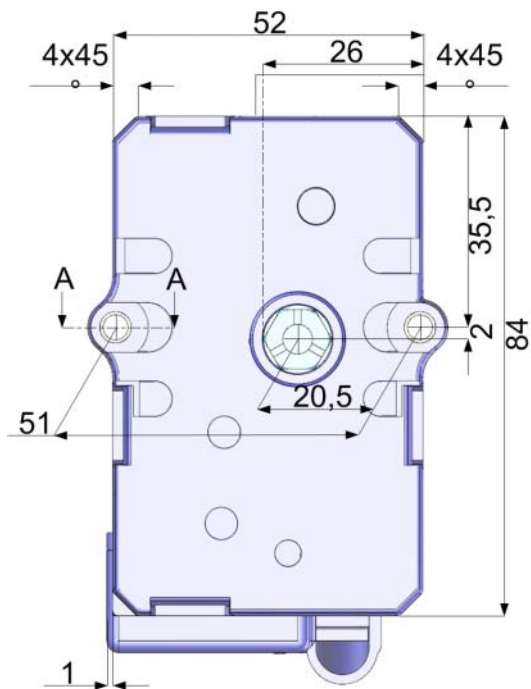
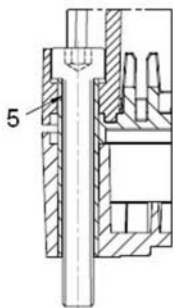


# Technical Data Servomotor 662R5500 ... 0,8 Nm



A-A 2:1



- 1 15.4 (+0.3/-1) including axial play
- 2 Cap cannot be removed by hand
- 3 Flexible control cable (black), length 1.5 m
- 4 Plug connector (RAST 2.5) pole number 6
- 5 Brass tube and M4 x 30 DIN 912 cylinder bolt fixed with O-ring

# Technical Data Servomotor 662R5500 ... 0,8 Nm

Function	
Power supply	24 VDC $\pm$ 20%
Floating time	5 s / 90° at 180 Hz
Direction of rotation 0° to 90°	right
Torque	0.8 Nm (both directions)
Holding torque	0.4 Nm (no power) 0.7 Nm
Permissible radial load	30 Nm (centre of output shaft)
Permissible axial load	5 N
Axial play of drive shaft	0.1 ... 0.2 mm
Cable length	securely connected 0.6 m pluggable max. 3 m

Environmental conditions		
<b>Operation</b>	Climatic condition	Class 3K3 according to DIN EN 60721-3
	Mechanical condition	Class 3M3 according to DIN EN 60721-3
	Temperature range	-20 ... +60 °C (condensation is prohibited)
<b>Transport</b>	Climatic condition	Class 2K3 according to DIN EN 60721-3
	Mechanical condition	Class 2M2 according to DIN EN 60721-3
	Temperature range	-20 ... +70 °C (condensation is prohibited)
<b>Storage</b>	Climatic condition	Class 1K3 according to DIN EN 60721-3
	Mechanical condition	Class 1M2 according to DIN EN 60721-3
	Temperature range	-20 ... +70 °C (condensation is prohibited)
<b>Bursting strength</b>	Peak voltage	4 kV
	Repeat frequency	2,5 kHz
<b>Electrical safety</b>	Protection class 2 as per DIN EN 60730	

## **DANGER!**

### **Danger by electrical shock!**

Shut down before opening the cover, otherwise it is possible to get in contact with conducting parts. This may cause an electrical shock. Only open when it is disconnected it all-pole.

- ▶ Disconnect BurnerTronic all-pole.

## **NOTICE**

### **Damaging the 0,8 Nm actuator by opening the actuator.**

Do not open the actuator at another part as the cover of the electric connection, otherwise the actuator will be damaged.

The warranty expires and is invalid.

- ▶ Do not open the actuator but at the cover of the electric connection.

## **NOTICE**

The limits of the technical data must be strictly adhered to.

# Technical Data Servomotor 662R5500 ... 0,8 Nm

## Order Information

Description / Type	Order-no.
Servomotor 0,8 Nm, degree of protection IP40, ambient temperature -20 °C ... +60 °C (-4 °F ... +140 °F), bedewing not allowed, angel of rotation 90°, resolution 0,1°/ step, plastic transmission, rotation clockwise without connecting cable (must be ordered seperately)	662R5500-0
Connecting cable for servomotor 662R5500-0, available in the following length: 60 cm (23.62" in), 100 cm (39.37" in), 150 cm (59.06" in), 200 cm (78.74" in), 300 cm (118.11" in) (please indicate the length with the order)	662R5590



The information in this publication is subject to technical changes.



**LAMTEC Meß- und Regeltechnik  
für Feuerungen GmbH & Co. KG**

Wiesenstraße 6

D-69190 Walldorf

Telefon: +49 (0) 6227 6052-0

Telefax: +49 (0) 6227 6052-57

[info@lamtec.de](mailto:info@lamtec.de)  
[www.lamtec.de](http://www.lamtec.de)

