

Technical Data Cover IP65 for UI300 ... / UI400 ...

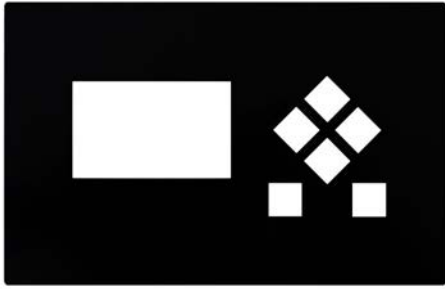


Fig. 1 Additional cover IP65 for the User Interface

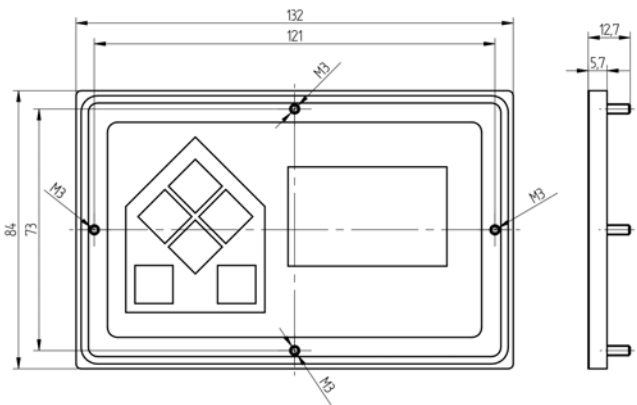
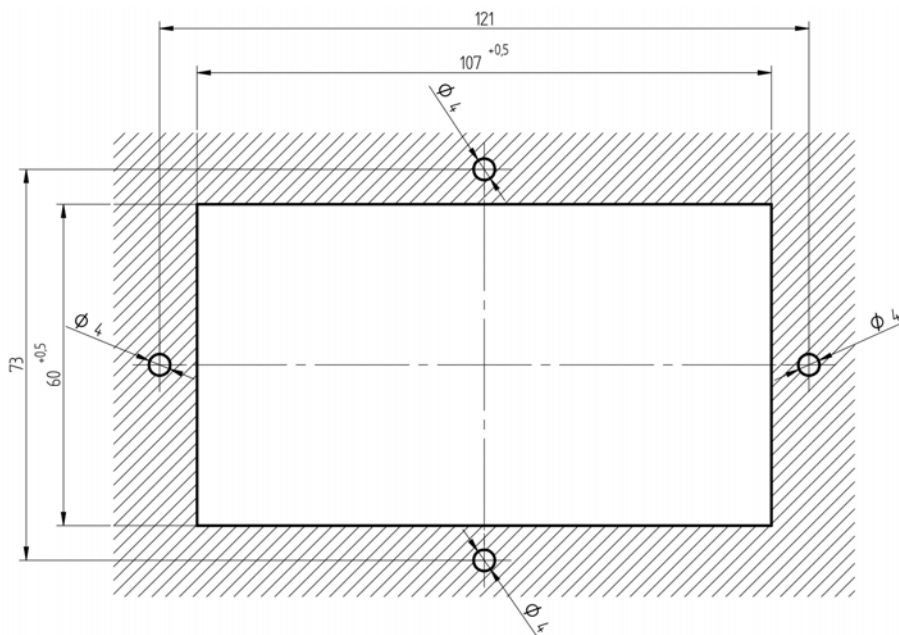


Fig. 2 Dimensional drawing for IP65



Create a square cut-out and ensure that the burrs are removed.

Height	60 mm 2.36 in
Width	107 mm 4.21 in

Fig. 3 Dimensional drawing panel cut-out including mounting bore for the IP65 cover

Technical Data Cover IP65 for UI300 ... / UI400 ...

Technical Data IP65 Cover of the User Interface

Dimensions (H x W x D)	84 x 132 x 5,7 mm 3.3 x 5.2 x 0.22 in
Mounting	by studs M3 x 6 mm M3 x 0.24 in
Material	foiled aluminium cover with O-ring seal

Environmental Conditions

Operation	permitted temperature range	-30 ... +70 °C / -22 ... +158 °F (condensation prohibited)
	permitted humidity	5 ... 95 % relative humidity
Transport/ Storage	permitted temperature range	-40 ... +80 °C / -40 ... +176 °F (condensation prohibited)
	permitted humidity	5 ... 95 % relative humidity
Degree of protection	DIN EN 60529	IP65

NOTICE

The limits of the technical data must be strictly adhered to.

Order Information

Description/Type	Order no.
Additional cover IP65 for User Interface UI300... / UI400 ... incl. fixing screws	668R0320

The information in this publication is subject to technical changes.



LAMTEC Meß- und Regeltechnik für Feuerungen GmbH & Co. KG

Josef-Reiert-Straße 26
D-69190 Walldorf
Telefon: +49 (0) 6227 6052-0
Telefax: +49 (0) 6227 6052-57

info@lamtec.de
www.lamtec.de

