

Technical Data Relay Module Type 660R0030

Relaismodule for switching the channels of oil and gas actuators in combination with ETAMATIC/ETAMATIC OEM/VMS/FMS

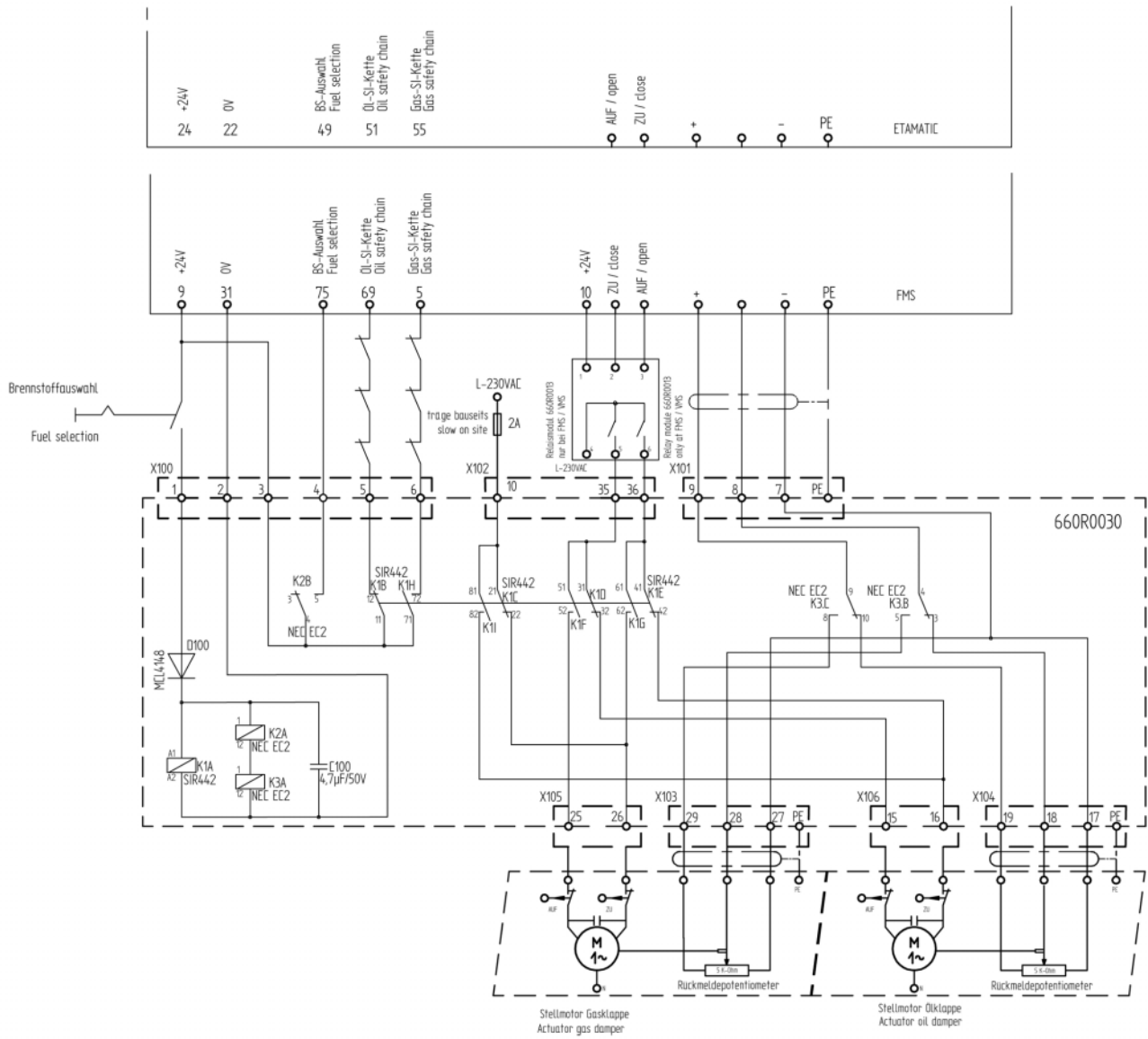


Technical data	
Dimensions [mm]	90 x 85 x 60 (bxdxh)
Weight	170 g
Temperature	60 °C
Installation	On top hat rail TS35, Connecting diameter max: 1,5 mm ² (potentiometer), 2,5 mm ² (motor)
Degree of protection(DIN EN 60529)	IP20
Power supply	115 V / 220 V
Power consumption	1,7 W
Switchable current	2 A
Fuse	2 AT
Standards	EN12067-2
Required appliances	For use only in combination with LAMTEC controls systems ETAMATIC/ETAMATIC OEM/VMS/FMS

NOTICE

Do not use with the optional online curve changeover!

Technical Data Relay Module Type 660R0030



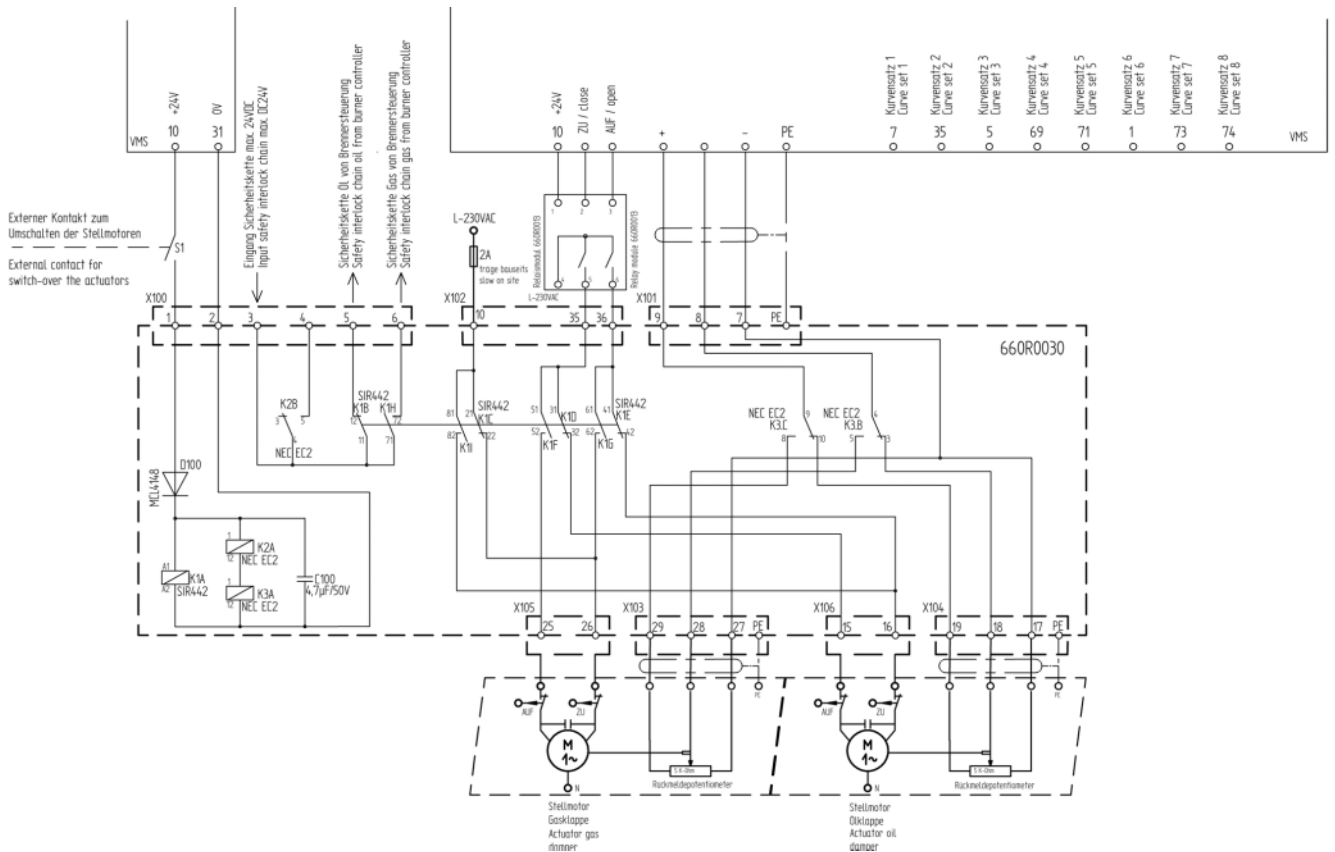
NOTICE

FMS with 4 or 8 fuel curves:

Terminal 75 'Fuel selection' has just the functionality of a plausability check..

The curves are selected by LSB module or fieldbus.

Technical Data Relay Module Type 660R0030

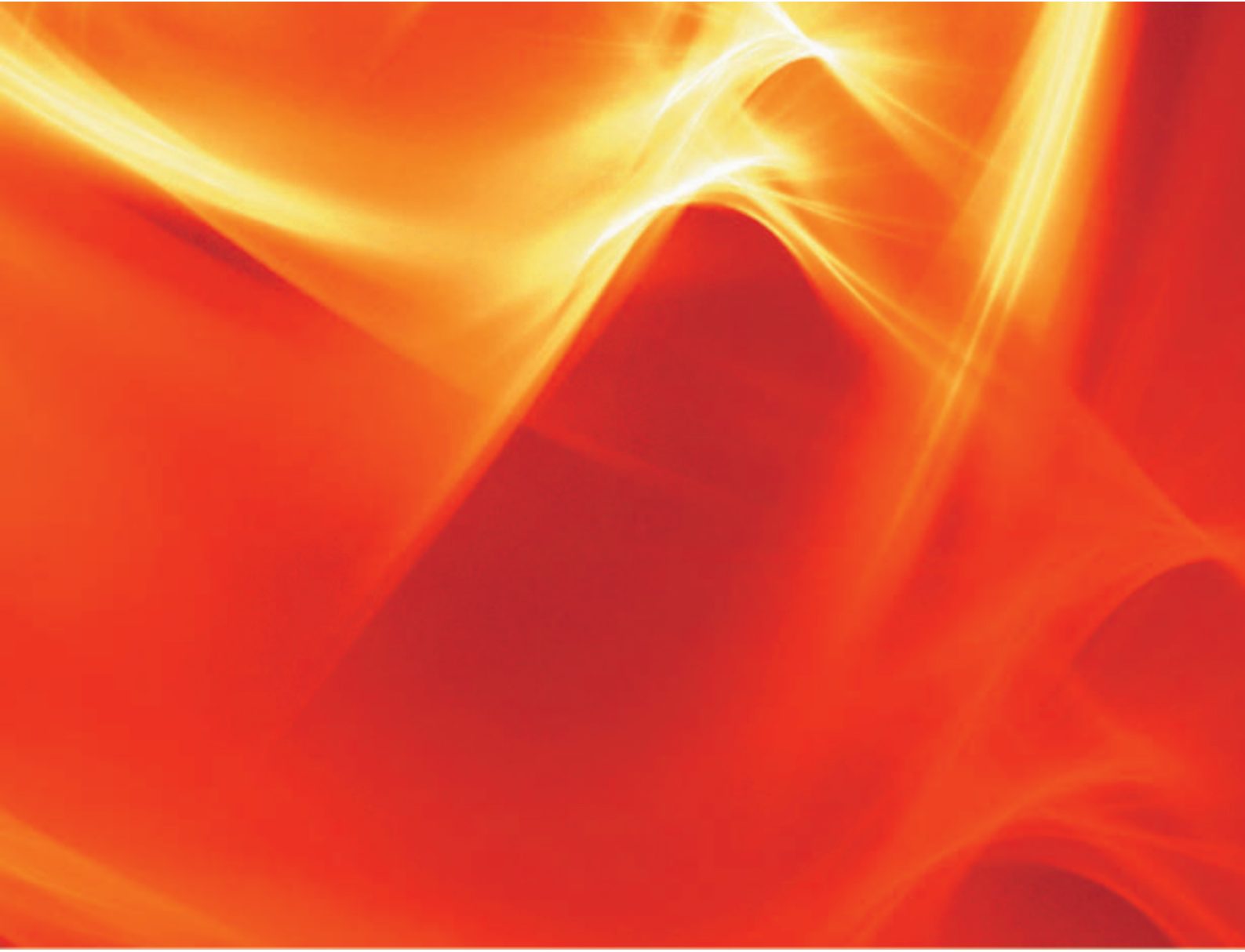


NOTICE

Selection of the curves must be done in a fail-safe way by the burner management system. Beware of the plausability of the changeover switch S1!

NOTICE

Do not use with the optional online curve changeover!



The information in this publication is subject to technical changes..



**LAMTEC Meß- und Regeltechnik
für Feuerungen GmbH & Co. KG**

Wiesenstraße 6
D-69190 Walldorf
Telefon: +49 (0) 6227 6052-0
Telefax: +49 (0) 6227 6052-57

info@lamtec.de
www.lamtec.de

