

Technical Data Lambda Transmitter LT3-Ex (Type ZTL2)



Fig. 1 Lambda Transmitter LT3-Ex with junction box



Fig. 2 Lambda Transmitter LT3-Ex with junction box and main switch

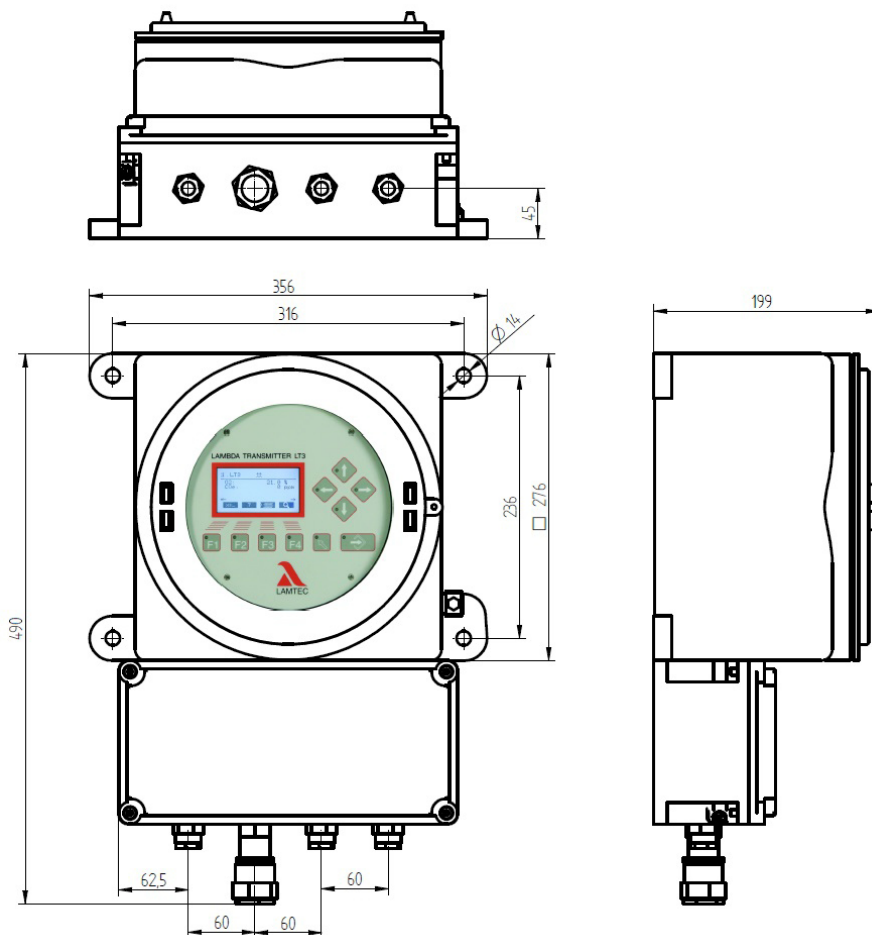



Fig. 3 Dimensional drawing LT3-Ex

Technical Data Lambda Transmitter LT3-Ex (Type ZTL2)

Dimensions	
Housing	Wall mounting housing, grey cast iron
Dimensions (HxWxD)	490x356x199 mm / 19.29"x14.02"x7.83" in
Colour	light grey RAL 7035
Weight	approx. 16.6 kg / 36.59 lb
Control element	Solenoid keyboard
Input Data	
Power supply	120 VAC/-30 % ... 230 VAC/+10 %, 50 ... 60 Hz
Power consumption	Typically 30 W, max. 69 W
Display	LCD-Graphic display 70x40 mm / 2.76"x1.57" in (WxH)
Resolution	O ₂ : 0,1 Vol. % CO _e : 1 ppm
Analogue Outputs	
Analogue outputs	Optional Precision: 1 % Load: 300 Ω/output Setting 4 ... 20 mA / Fault 0 mA
Digital Outputs	
Digital outputs	Optional 4 floating contacts NO
HART Communication	
HART communication	Optional - 2 analogue outputs 0/4 ... 20 mA - HART- communication (read/write) via analogue output 1
Field Bus Connection	
Field bus connection to PROFIBUS DP	Optional (only external installation possible) Field bus module PROFIBUS DP 657R5950
Interfaces	
Interfaces	LAMTEC SYSTEM BUS (LSB)
Operating Conditions	
Time until ready for operation	30 ... 150 min until ready for use measurement accuracy: restricted
Time until ready to measure	15 ... 60 min until ready for measurement, with testing of the optimal measuring mode measurement accuracy: as specified

Technical Data Lambda Transmitter LT3-Ex (Type ZTL2)

Environmental Conditions

Operation	permissible temperature range	-20 ... +55 °C / -4 ... +131 °F
Transport	permissible temperature range	-20 ... +70 °C / -4 ... +158 °F
Storage	permissible temperature range	-20 ... +70 °C / -4 ... +158 °F
Degree of protection	according DIN 40050	IP66
Ignition degree of protection	 II 2 G Ex d IIC T6 Gb (-20 °C/-4 °F ≤ Ta ≤ +55 °C/+131 °F) LCIE 13 ATEX 3066X	

NOTICE

The limits of the technical data must be strictly adhered to.

Technical Data Lambda Transmitter LT3-Ex (Type ZTL2)

Order Information

Description/Type	Order no. - Selection
Lambda Transmitter LT3-Ex in wall mounting housing for Ex-area 1 in acc. to ATEX, IP66, Operation via magnetic pencil	657R5160...
A 10 – HOUSING	Selection
WITH CONNECTION BOX, WITHOUT MAIN SWITCH	00
WITH CONNECTION BOX AND MAIN SWITCH	01
A 20 – OUT-/INPUTS (max. 2 modules possible)	Selection
4 ANALOGUE OUTPUTS 0/4 ... 20 mA	05
4 ANALOGUE OUTPUTS 0/2 ... 10 V	10
4 DIGITAL OUTPUTS, TO ISSUE LIMIT VALUES AND OPERATING CONDITIONS	20
4 DIGITAL- AND 4 ANALOGUE OUTPUTS 0/4 ... 20 mA	30
4 DIGITAL- AND 4 ANALOGUE OUTPUTS 0/2 ... 10 V	35
A 30 – LANGUAGE	Selection
GERMAN	D
ENGLISH	E
FRENCH	F
A 40 – HART-COMMUNICATION (max. 2 modules possible)	Selection
WITHOUT	00
HART-MODULE WITH 2 ANALOGUE OUTPUTS 0/4 ... 20 mA HART-COMMUNICATION VIA OUTPUT 1	01
A 50 – EFFICIENCY CALCULATION (max. 2 modules possible)	Selection
WITHOUT	00
EFFICIENCY-MODULE WITH 2 PT100-INPUTS AMBIENT AIR AND FLUE GAS 0 ... 400 °C/32 °F ... 752 °F AND 2 ANALOGUE OUTPUTS 0/4 ... 20 mA	01
A 70 – CO_e-MEASURING RANGE (in combination with KS1D)	Selection
STANDARD CO _e -Measuring range 0 ... 1.000 ppm	00
EXTENDED CO _e -Measuring range 0 ... 10.000 ppm	01
A 80 – PROBE TYPE	Selection
KS1D (CO/O ₂ -Monitoring)	00
LS2 (O ₂ -Measuring)	LS2



The information in this publication is subject to technical changes.



**LAMTEC Meß- und Regeltechnik
für Feuerungen GmbH & Co. KG**

Wiesenstraße 6
D-69190 Walldorf
Telefon: +49 (0) 6227 6052-0
Telefax: +49 (0) 6227 6052-57

info@lamtec.de
www.lamtec.de

