

# Technical Data BurnerControl BC300

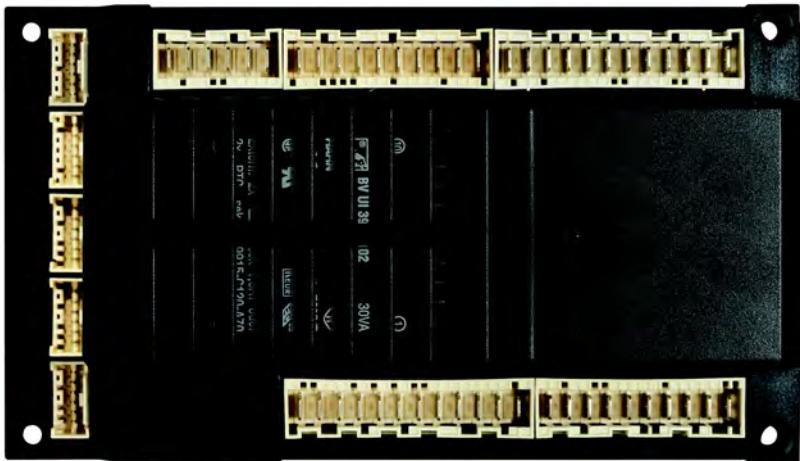


Fig. 1 BurnerControl BC300

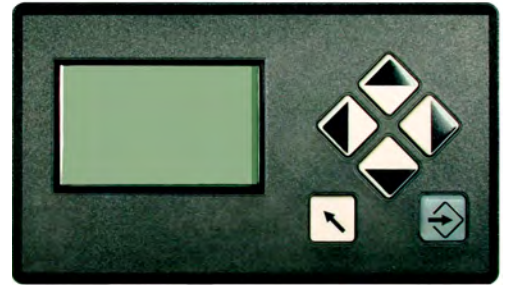


Fig. 2 User Interface UI300-BC-V2

- 1 RAST5 plug-in connector
- 2 RAST2.5 plug-in connection for User Interface and LAMTEC SYSTEM BUS in insulation displacement technology

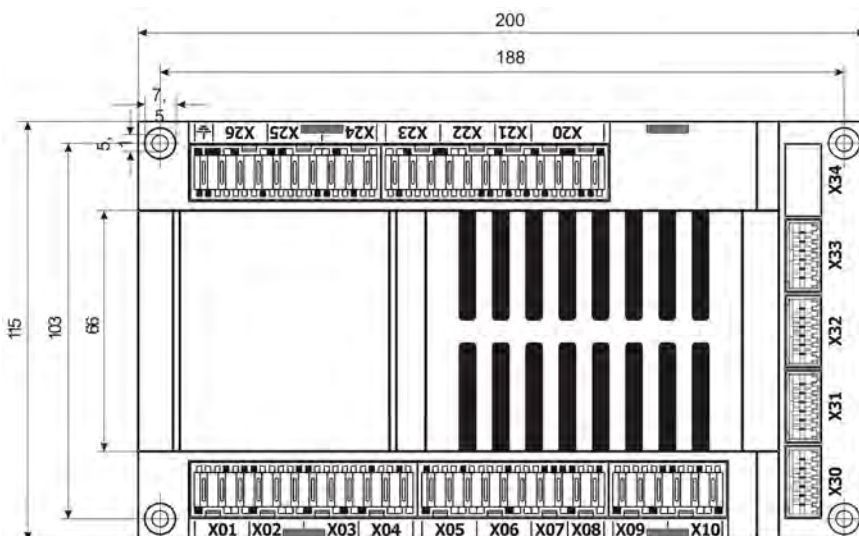
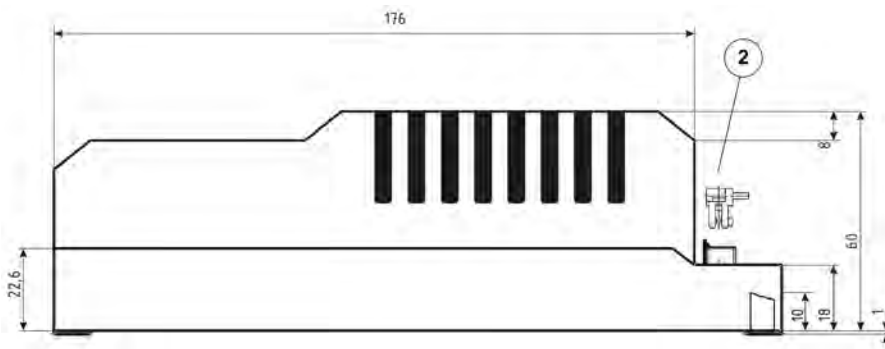
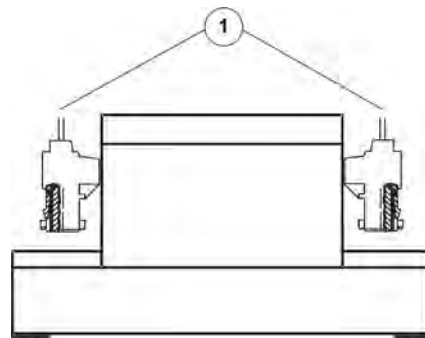


Fig. 3 Dimensional drawings for BC300

# Technical Data BurnerControl BC300

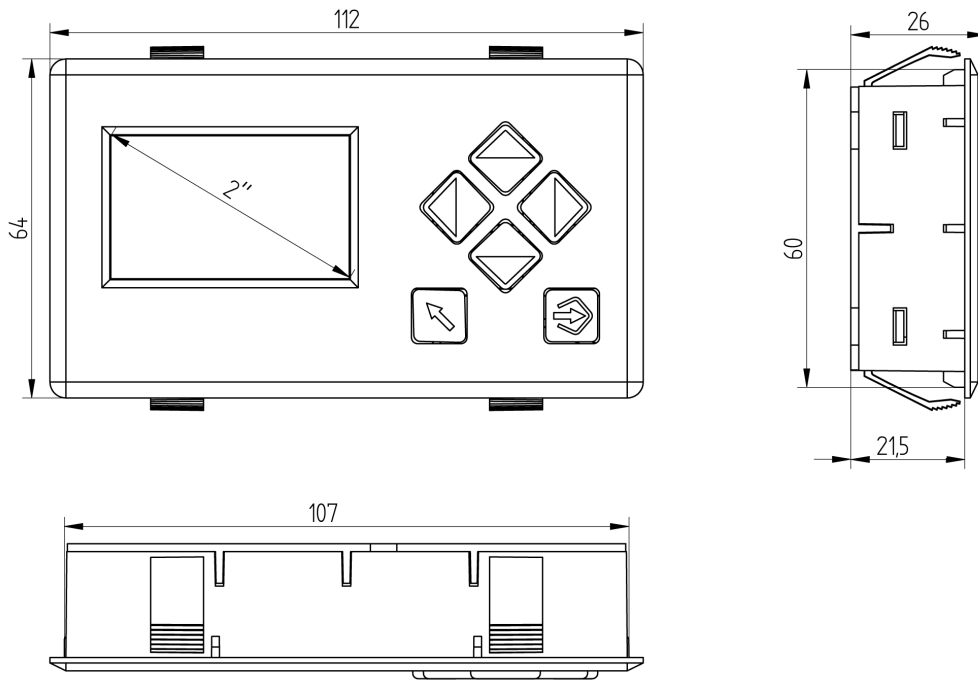


Fig. 4 UI300-BC-V2 dimensional drawings

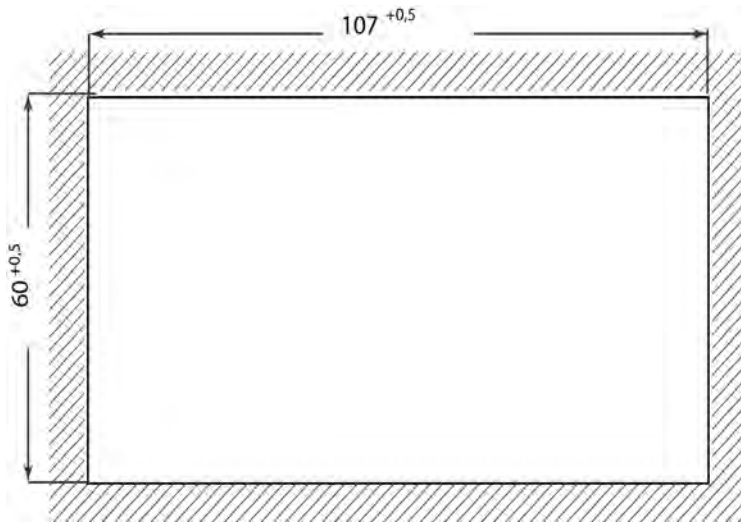


Fig. 5 UI300-BC-V2 panel cut-out

# Technical Data BurnerControl BC300

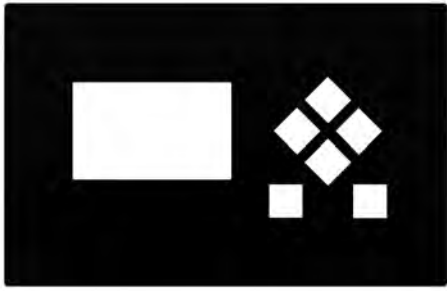


Fig. 6 Additional cover IP65 for the User Interface

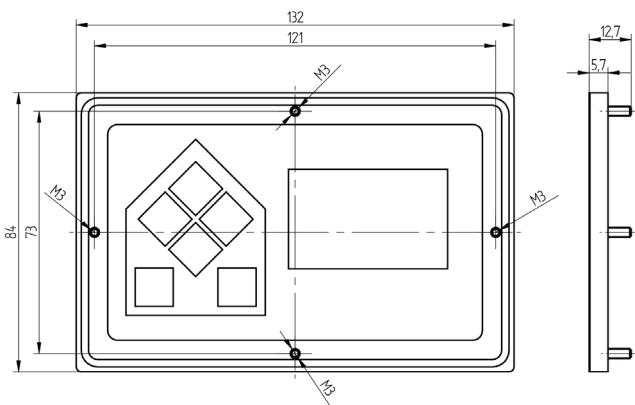
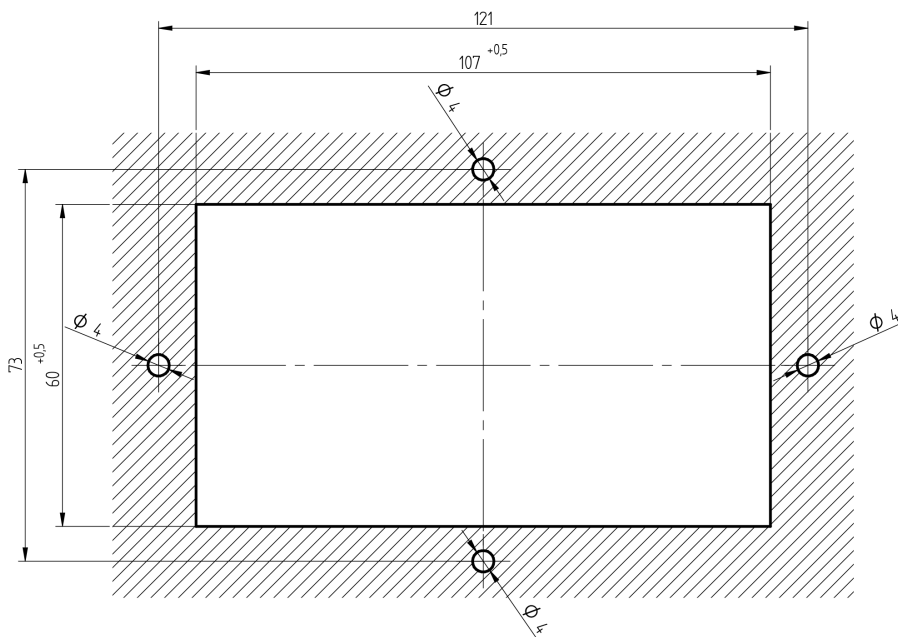


Fig. 7 Dimensional drawing for IP65



**Create a square cut-out and ensure that the burrs are removed.**

Height	60 mm 2.36 in
Width	107 mm 4.21 in

Fig. 8 Dimensional drawing panel cut-out including mounting bore for the IP65 cover

## Technical Data BurnerControl BC300

<b>Function</b>	
<b>Power supply</b>	230 V +10/-15 % 47-63 Hz 115 V +10/-15 % 47-63 Hz (on request)
<b>Maximum pre-fuse</b>	10 A slow-blow
	<b>To be used in a grounded power line network only!</b>
<b>Power consumption</b>	max. 30 VA
<b>Ionisation current switching threshold</b>	1 $\mu$ A
<b>Digital inputs</b>	Max. cable length 70 m / 230 ft
<b>Digital outputs</b>	2 fuel valves max. 1 A cos $\varphi$ 0.4 Relay for single electrode operation max. 1 A cos $\varphi$ 0.4 Combustion air valve max. 2 A cos $\varphi$ 0.4 Operating mode indication max. 2 A cos $\varphi$ 0.4 Spark igniter max. 2 A cos $\varphi$ 0.2 Alarm output max. 1 A cos $\varphi$ 0.3
<b>Number of programming operations</b>	unlimited (EEPROM)
<b>Fieldbus coupling (optional)</b>	PROFINET
<b>Housing</b>	Polycarbonate + ABS
<b>Dimensions (H x W x D)</b>	200 x 115 x 61 mm / 7.87" x 4.53" x 2.40" in
<b>Weight</b>	1.0 kg / 2.2 lb
<b>Flammability</b>	UL-94 V0
<b>Display</b>	
<b>Display</b>	128 x 64 Pixels, monochrome White background lighting (dimnable)
<b>Dimensions (H x W x D)</b>	112 x 64 x 24mm / 4.41" x 2.52" x 0.94" in
<b>Weight</b>	140 g / 0.31 lb
<b>Housing</b>	Basic housing unit: Polyamide (glass fibre-reinforced) LCD display window: Polycarbonate
<b>Flammability</b>	Basic housing UL-94 V0 LCD inspection window UL-94 V2
<b>Cable length</b>	1 m / 3.3 ft

## Technical Data BurnerControl BC300

### Environmental conditions

<b>Operation</b>	Climatic condition	Class 3K5 according to DIN EN 60721-3	
	Mechanical condition	Class 3M5 according to DIN EN 60721-3	
	Temperature range	-20 ... +60 °C / -4 ... +140 °F (condensation prohibited)	
<b>Transport</b>	Climatic condition	Class 2K3 according to DIN EN 60721-3	
	Mechanical condition	Class 2M2 according to DIN EN 60721-3	
	Temperature range	-20 ... +70 °C / -4 ... +158 °F (condensation prohibited)	
<b>Storage</b>	Climatic condition	Class 1K3 according to DIN EN 60721-3	
	Mechanical condition	Class 1M2 according to DIN EN 60721-3	
	Temperature range	-20 ... +70 °C / -4 ... +158 °F (condensation prohibited)	
<b>Degree of protection</b>	DIN EN 60529	BC300	IP00 (housing)
			IP20 (terminals covered)
	UI300-BC-V2 front	IP40 (clamped)	
		IP54 (adhered)	
		IP 65 (with additional cover)	

### Technical Data IP65 Cover of the User Interface

Dimensions (H x W x D)	84 x 132 x 5,7 mm   3.3 x 5.2 x 0.22 in
Mounting	by studs M3 x 6 mm   M3 x 0.24 in
Material	foiled aluminium cover with O-ring seal

### Environmental conditions

Degree of protection	DIN EN 60529	IP65
----------------------	--------------	------

### NOTICE

The limits of the technical data must be strictly adhered to.

# Technical Data BurnerControl BC300

## Order Information

Description/Type	Order-no.
BurnerControl BC300, 230 VAC, burner sequencer for furnace applications	667R1420-1
<b>Accessories</b>	
<b>Software:</b> PC Remote Software for BT300, BC300, LT3, LT3-F incl. LSB service adapter, USB/CAN module and connecting cable	667R0300-1
<b>User Interface:</b> UI300-BC-V2 - User Interface for BC300 in panel installation housing "standard version" housing colour RAL7016, degree of protection IP42 (with LAMTEC logo), incl. connecting cable, cable length 1 m	667R0140-1
<b>Connector set:</b> complete connector set for BT300/BC300, screw connection, connectable cable cross-section max. 2,5 mm <sup>2</sup> / 13 AWG	667R0900-1
<b>Fieldbus module:</b> EBM112, PROFINET 2 Ports	667R0740-1
Additional cover IP65 for UI300-BC-V2 incl. fixing screws	668R0320



The information in this publication is subject to technical changes.



### LAMTEC Meß- und Regeltechnik für Feuerungen GmbH & Co. KG

Josef-Reiert-Straße 26

D-69190 Walldorf

Telefon: +49 (0) 6227 6052-0

Telefax: +49 (0) 6227 6052-57

[info@lamtec.de](mailto:info@lamtec.de)  
[www.lamtec.de](http://www.lamtec.de)

