

Technical data for NW48/70/89 sliding flange

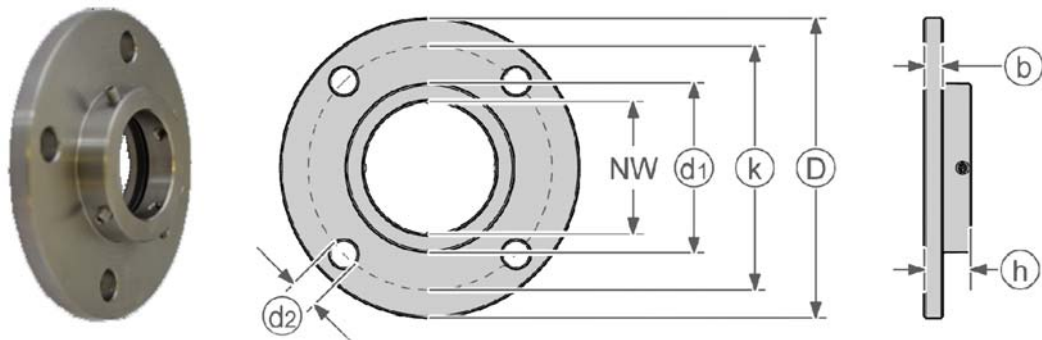


Fig. 1 Dimensions of the sliding flange of the GFI pilot burner

The flange is equipped with 4 grub screws to fix the outer tube in a defined position. The pipe leadthrough contains an EPDM O-ring seal.

Technical data for NW48/70/89 sliding flange

Material		
Flange	1.4571 stainless steel, galvanized steel	
O-ring seal	EPDM	
Temperature range	-40 ... +120 °C / -40 ... +248 °F	
Pressure	1.0 bar / 14.50 psi	
Weight	NW48: 1.24 kg / 2.73 lb NW70: 1.5 kg / 3.30 lb NW89: 2.4 kg / 5.29 lb	
Dimensions		
b	Flange plate thickness	NW48: 10 mm / 0.39 in NW70: 10 mm / 0.39 in NW89: 15 mm / 0.47 in
D	Flange diameter	NW48: 140 mm / 5.51 in NW70: 160 mm / 6.29 in NW89: 190 mm / 7.48 in
d1	Outside collar diameter	NW48: 70 mm / 2.75 in NW70: 90 mm / 3.54 in NW89: 115 mm / 4.33 in
d ₂	Hole diameter	NW48: 14 mm / 0.55 in NW70: 14 mm / 0.55 in NW89: 18 mm / 0.70 in
h	Total height	NW48: 25 mm / 0.98 in NW70: 25 mm / 0.98 in NW89: 30 mm / 1.18 in
k	Hole circle diameter	NW48: 110 mm / 4.33 in NW70: 130 mm / 5.11 in NW89: 150 mm / 5.90 in
DN	Nominal diameter	48/70/89

Technical data for NW48/70/89 sliding flange

Order Information

Ignitor and Pilot Burner - Accessories

Sliding Flange

Description / Type	Order no.
GF148 Sliding flange with O-ring seal and grub screws, DN50 PN6, 1.4571 (4 fixing holes)	646R1151
GF148 Special sliding flange with O-ring seal and grub screws, 1.4571 (2 fixing holes)	646R1152
GF170 Sliding flange with O-ring seal and grub screws, DN65 PN6, 1.4571 (4 fixing holes)	646R2151
GF189 Sliding flange with O-ring seal and grub screws, DN80 PN6, 1.4571 (4 fixing holes)	646R3151

Connecting cable

Description / Type	Order no.
Connection cable with counter plug, length 2 m	646R0150

General

Description / Type	Order no.
Double nipple 3", material: 1.4408	646R9001
Double nipple 1" external thread, stainless steel	646R9015
Double nipple R1 1/2" external thread, stainless steel	646R9016
Double nipple R1 3/4" external thread, stainless steel	646R9014
Double nipple R1 2" external thread, stainless steel	646R9017
Hexagonal Reducing Nipple NPT 3/4" to R 1/2", material: 1.4571	646R9030
Hexagonal Reducing Nipple NPT 1 1/4" to R 1", material: 1.4571	646R9031
Conical reducer R 1/2 A X G 3/4 I MS.vernickelt	646R9032
Stainless steel pressure gauge 0 ... 160 mbar, housing Ø 63 mm, connection G1/8" vertical	646R9040
Sliding nipple with O-ring seal and 3" male thread, 1.4301, for GF148	646R9055
Needle valve 1 1/4" NPT inside thread, material 1.4571	646R9058
Needle valve 3/4" NPT inside thread, material 1.4571	646R9059
Ball valve for gas 1/2" internal/external thread, with DVGW certification, brass	646R9060
Ball valve for gas 3/4" internal/external thread, with DVGW certification, brass	646R9061
Ball valve for gas 1 1/2" internal/external thread, with DVGW certification, brass	646R9062
Ball valve for gas 2" internal/external thread, with DVGW certification, brass	646R9063
Ball valve (Mini) Ballofix for gas 3/4" internal/external thread, brass	646R9065
Ball valve (stainless steel) 3" IG/IG with lever handle, DN80	646R9069
Air regulating sleeve 1" internal thread, malleable cast iron black	646R9102
Air regulating sleeve 1 1/2" internal thread malleable cast iron black	646R9103
Air regulating sleeve 3/4" internal thread, malleable cast iron black	646R9104
Air regulating sleeve 2" internal thread malleable cast iron black	646R9105

Technical data for NW48/70/89 sliding flange

Commissioning / maintenance / service

Description / Type	Order no.
Inspection diode for GFI	646R0100

The information in this publication is subject to technical changes.



**LAMTEC Meß- und Regeltechnik
für Feuerungen GmbH & Co. KG**

Wiesenstraße 6
D-69190 Walldorf
Telefon: +49 (0) 6227 6052-0
Telefax: +49 (0) 6227 6052-57

info@lamtec.de
www.lamtec.de

