

Technical Data Abrasion Intermediate Flange

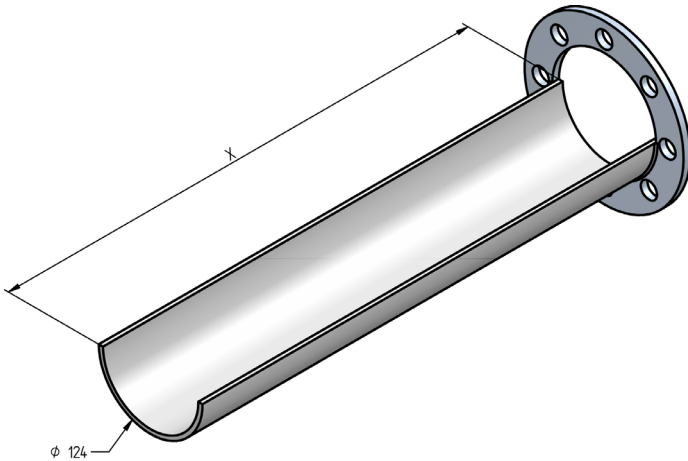


Fig. 1 Abrasion Intermediate Flange

Type	650R2020	650R2021	650R2022
Dimension (length = x)	550 mm / 21.65" in	1050 mm / 41.34" in	1550 mm / 61.02" in
Flange dimensions	A Ø 190 mm/ Ø 124 mm LK Ø 151.5 mm A Ø 7.48" in/ Ø 4.88" in LK Ø 5.96" in		
Weight	4.6 kg / 10.14 lb	8.6 kg / 18.96 lb	12.6 kg / 17.78 lb
Material	1.4571/1.4404		
Seal	Novaphit® SST		

Order Information

Description/Type	Order no.
Abrasion protection for probe protection against abrasive comp. (sandy punch) in the flue gas flow	
Intermediate flange DN80 for LS2-KA, KS1-KA, KS1D-KA 500 mm / 19.69" in	650R2020
Intermediate flange DN80 for LS2-KA, KS1-KA, KS1D-KA 1,000 mm / 39.37" in	650R2021
Intermediate flange DN80 for LS2-KA, KS1-KA, KS1D-KA 1,500 mm / 59.06" in	650R2022

The information in this publication is subject to technical changes.



LAMTEC Meß- und Regeltechnik für Feuerungen GmbH & Co. KG

Josef-Reiert-Straße 26
D-69190 Walldorf
Telefon: +49 (0) 6227 6052-0
Telefax: +49 (0) 6227 6052-57

info@lamtec.de
www.lamtec.de

