

Technical Data for Gas Damper Type SVGA and Type SVGS



Fig. 1 Gas damper type SVGA 668M2300

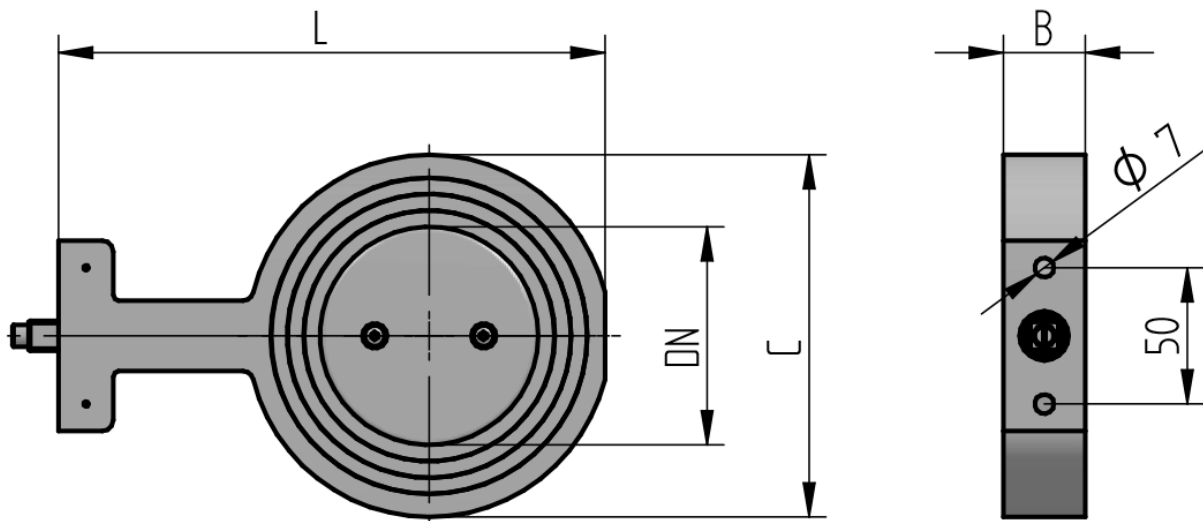
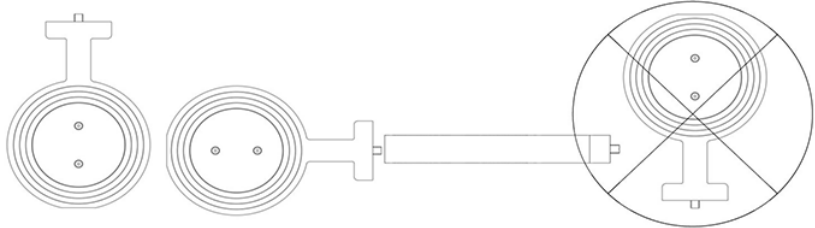


Fig. 2 Dimensional drawing gas damper 668M2300

Technical Data for Gas Damper Type SVGA and Type SVGS

Designation	Actuator for control in the entire combustion technology, without zero flow
DN	40 ...150, reduction by 2 nominal diameters possible
Gas type	for gases of gas families 1, 2, 3 and other neutral gaseous media. Suitable for hydrogen. Stainless steel version suitable for biogas up to max. 0.1% H ₂ S by volume. The gas must be dry under all circumstances and must not condense.
Test basis	DIN EN 13611:2019 and DIN EN161:2013
Operating pressure max.	500 mbar
Drive type	can be used for electric actuator 668M2006, 668M2020, 668M2040 with inner square 11.1x11.1 mm / 0.44x0.44" in (IVK11)
Adjusting speed	max. 5 s/90°
Position indicator	since the damper does not have a position indicator, we recommend using an actuator with position indicator (POS1)
Mounting position	horizontal to vertical, not hanging downwards 
Version	butterfly disc without limit stop
Flow rate	non linear

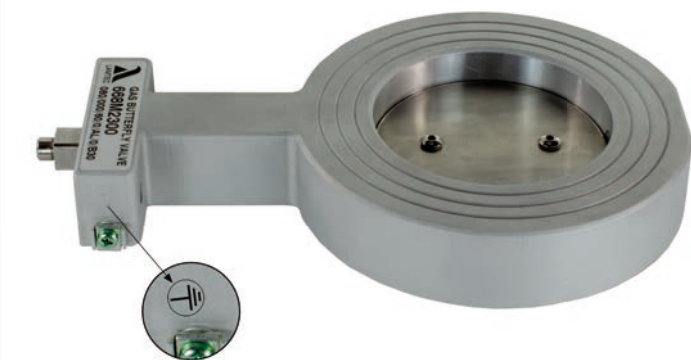


Fig. 3 Gas damper with position of grounding symbol

Technical Data for Gas Damper Type SVGA and Type SVGS

Designation	Actuator for control without zero flow in the entire combustion technology
Mounting	Intermediate flange damper clamp-in design
Explosion protection	The Gas damper is not covered by Directive 2014/34/EU, as there is no effective ignition source at the loads that occur in practice, even in the event of a fault. The damper must be grounded. The damper is designed with a threaded connection (M4) on the connection bar for connection of a protective conductor.
Mounting of tubing	Intermediate flange damper – for clamping between flange PN6...PN40 according to EN 1092-1. For pressure stages PN10 ... PN40, mounting sleeves are enclosed with the damper to help with mounting.
Mounting of actuator	No separate connector/console is needed. The console is a component of the damper. Delivery including mounting material, without flange seal If no actuator with square drive 11.1x11.1 mm / 0.44x0.44" is available, the Gas damper can also be mounted on actuators with output shaft.

Environmental conditions

Operation	perm. temperature range	-20 ... +60 °C / -4 ... 140 °F
Transport	perm. temperature range	-20 ... +60 °C / -4 ... 140 °F
Storage	perm. temperature range	-20 ... +60 °C / -4 ... 140 °F

Gas damper 668M2300/668M2310

Housing material 668M2300	Aluminium ALMG4.5 MN 0.7
Housing material 668M2310	Stainless steel 1.4305
Damper shaft material	Stainless steel 1.4305
Damper disc material	Stainless steel 1.4301
Shaft seal	NBR "O" ring seal

NOTICE

The limits of the technical data must be strictly adhered to.

Technical Data for Gas Damper Type SVGA and Type SVGS

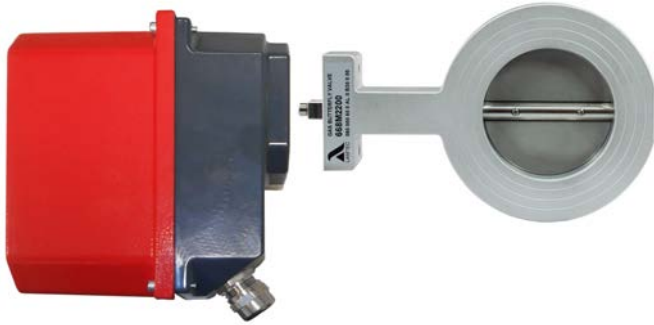


Fig. 4 Gas damper type SVGA 668M2300 mounted on actuator

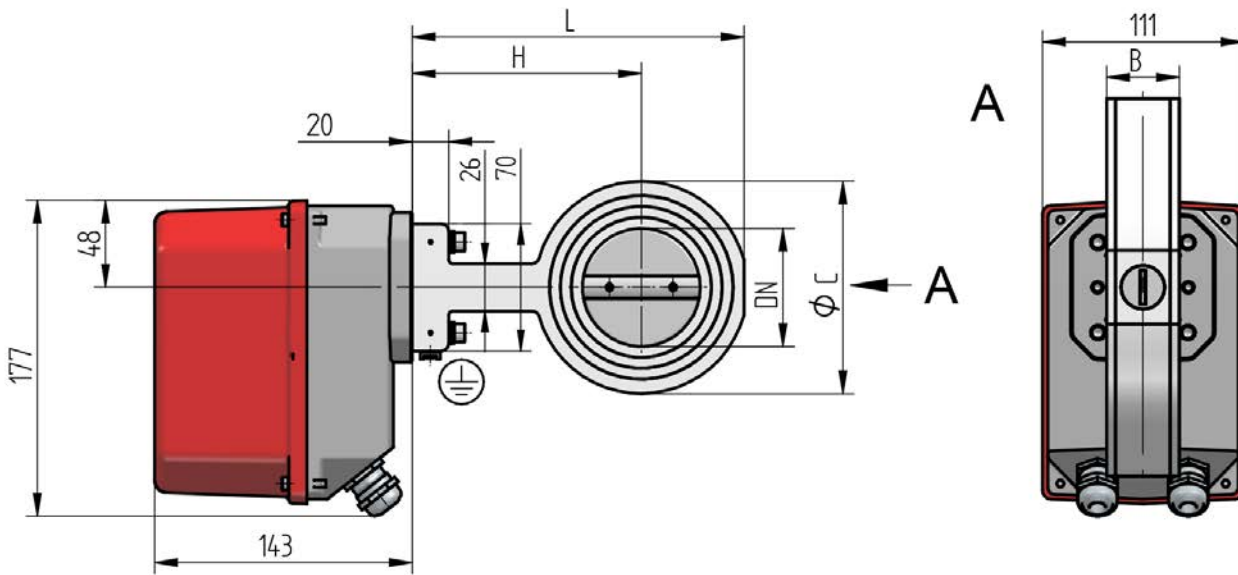


Fig. 5 Dimensional drawing gas damper 668M2300 mounted on actuator

Technical Data for Gas Damper Type SVGA and Type SVGS

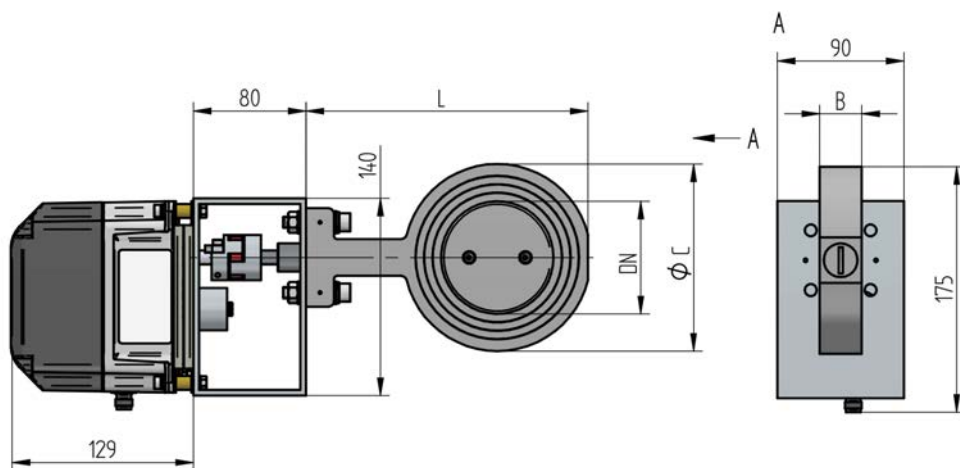


Fig. 6 Gas damper 668M2300 with console and coupling mounted on actuator controlled by BT300, with output shaft

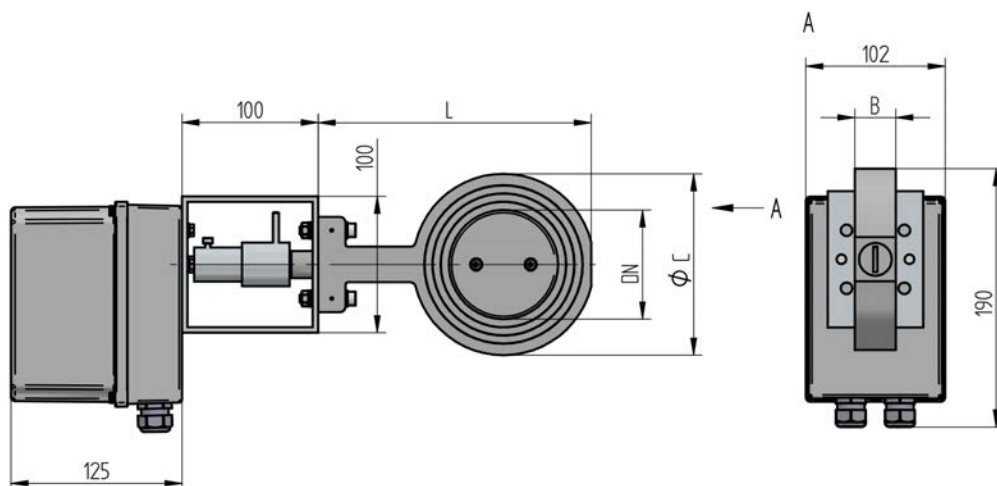


Fig. 7 Gas damper 668M2300 with console and coupling mounted on actuator 20 Nm, with output shaft

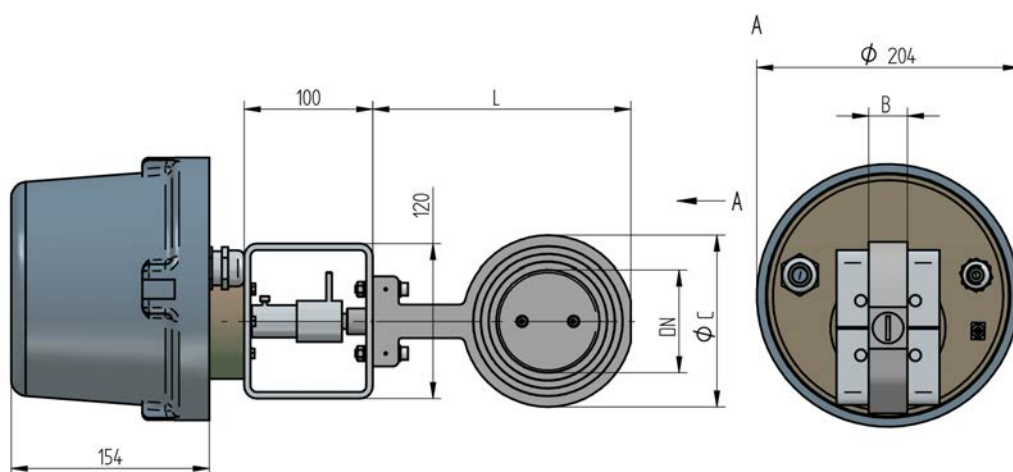


Fig. 8 Gas damper 668M2300 with console and coupling mounted on actuator Ex, with output shaft

Technical Data for Gas Damper Type SVGA and Type SVGS

Type not linear	DN	L (mm/" in)	Ø C (mm/" in)	B (mm/" in)	Weight (kg/lb)	Material
668M2300/040/ ... /B30	40	155/6.10	87/3.43	30/1.18	0.7/1.54	Aluminium
668M2310/040/ ... /B30	40	155/6.10	87/3.43	30/1.18	1.75/3.86	Stainless steel
668M2300/040/ ... /B40	40	155/6.10	87/3.43	40/1.57	0.85/1.87	Aluminium
668M2310/040/ ... /B40	40	155/6.10	87/3.43	40/1.57	2.25/4.96	Stainless steel
668M2300/050/ ... /B30	50	165/6.5	97/3.82	30/1.18	0.8/1.76	Aluminium
668M2310/050 ... /B30	50	165/6.5	97/3.82	30/1.18	2/4.4	Stainless steel
668M2300/050/ ... /B40	50	165/6.5	97/3.82	40/1.57	1/2.2	Aluminium
668M2310/050/ ... /B40	50	165/6.5	97/3.82	40/1.57	2.6/5.73	Stainless steel
668M2300/065/ ... /B30	65	183/7.2	117/4.61	30/1.18	1/2.2	Aluminium
668M2310/065/ ... /B30	65	183/7.2	117/4.61	30/1.18	2.5/5.51	Stainless steel
668M2300/065/ ... /B40	65	183/7.2	117/4.61	40/1.57	1.25/2.76	Aluminium
668M2310/065/ ... /B40	65	183/7.2	117/4.61	40/1.57	3.2/7.06	Stainless steel
668M2300/080/ ... /B30	80	201/7.91	133/5.24	30/1.18	1.2/2.65	Aluminium
668M2310/080/ ... /B30	80	201/7.91	133/5.24	30/1.18	3/6.62	Stainless steel
668M2300/080/ ... /B40	80	201/7.91	133/5.24	40/1.57	1.5/3.31	Aluminium
668M2310/080/ ... /B40	80	201/7.91	133/5.24	40/1.57	3.8/8.38	Stainless steel
668M2300/100/ ... /B30	100	221/8.7	153/6.02	30/1.18	1.45/3.2	Aluminium
668M2310/100/ ... /B30	100	221/8.7	153/6.02	30/1.18	3.4/7.5	Stainless steel
668M2300/100/ ... /B40	100	221/8.7	153/6.02	40/1.57	1.8/3.97	Aluminium
668M2310/100/ ... /B40	100	221/8.7	153/6.02	40/1.57	4.4/9.7	Stainless steel
668M2300/125/ ... /B30	125	248/9.76	183/7.2	30/1.18	1.9/4.19	Aluminium
668M2310/125/ ... /B30	125	248/9.76	183/7.2	30/1.18	4.4/9.7	Stainless steel
668M2300/125/ ... /B40	125	248/9.76	183/7.2	40/1.57	2.3/5.07	Aluminium
668M2310/125/ ... /B40	125	248/9.76	183/7.2	40/1.57	5.65/12.46	Stainless steel
668M2300/150/ ... /B30	150	273/10.75	208/8.19	30/1.18	2.3/5.07	Aluminium
668M2310/150/ ... /B30	150	273/10.75	208/8.19	30/1.18	5.2/11.46	Stainless steel
668M2300/150/ ... /B40	150	273/10.75	208/8.19	40/1.57	2.75/6.06	Aluminium
668M2310/150/ ... /B40	150	273/10.75	208/8.19	40/1.57	6.6/14.55	Stainless steel

All listed nominal diameters are available with reduction.

Ordering example for reduction DN100 to DN80: 668M2300/100/080

Technical Data for Gas Damper Type SVGA and Type SVGS

Order Information

Gas Damper Type SVGA Aluminium up to 60 °C / 140 °F

Description / Type	Order no.
<p>Gas damper:</p> <ul style="list-style-type: none"> - shaft end squared 11.1x11.1x11.5 mm / 0.44x0.44x0.45" in - for clamping between flanges in acc. to PN6 ... PN40 - suitable for gases of the 1st, 2nd and 3rd gas family, hydrogen - type examination certificate according to Gas Appliances Directive - flow rate non linear - valve disc without stop bar - operating pressure: max. 500 mbar - for the pressure ratings PN10 ... PN40 the flap is supplied with mounting sleeves as installation aid <p>Suitable for electric actuator 668M2006, 668M2020, 668M2040 with square socket 11x11 mm / 0.43x0.43" in (IVK11). Incl. installation material and mounting sleeves. No separate coupling / console is required. The console is part of the valve. As the damper does not have a position indicator, we recommend using an actuator with position indicator.</p>	668M2300
A 10 "INTERNAL DIAMETER"	Selection
INTERNAL DIAMETER DN40	040
INTERNAL DIAMETER DN50	050
INTERNAL DIAMETER DN65	065
INTERNAL DIAMETER DN80	080
INTERNAL DIAMETER DN100	100
INTERNAL DIAMETER DN125	125
INTERNAL DIAMETER DN150	150
A 20 "REDUCTION"	Selection
Without	000
DN40 REDUCED TO DN25	025
DN40/DN50 REDUCED TO DN32	032
DN50/DN65 REDUCED TO DN40	040
DN65/DN80 REDUCED TO DN50	050
DN80/DN100 REDUCED TO DN65	065
DN100/DN125 REDUCED TO DN80	080
DN125/DN150 REDUCED TO DN100	100
DN150 REDUCED TO DN125	125
A 30 "TEMPERATURE RANGE"	Selection
-20 ... +60 °C/ -4 ... +140 °F	060
A 40 "SEALING OF THE FLAP DISC"	Selection
NON-TIGHT CLOSING, leakage appr. 1 % of Kvs-value 90°	0
TIGHT CLOSING, without leakage	D
A50 "MATERIAL"	Selection
HOUSING ALUMINIUM, SHAFT / DISC STAINLESS STEEL	AL
A60 "MANUAL ADJUSTMENT"	Selection
WITHOUT MANUAL ADJUSTMENT, for installation on actuator	0
WITH MANUAL ADJUSTMENT, infinitely adjustable locking lever	H
A 70 "CONSTRUCTION LENGTH"	Selection
CONSTRUCTION LENGTH 30 mm / 1.18" in	B30
CONSTRUCTION LENGTH 40 mm / 1.57" in	B40

Technical Data for Gas Damper Type SVGA and Type SVGS

Gas Damper Type SVGS Stainless Steel up to 60 °C / 140 °F

Description / Type	Order no.
Gas damper: - shaft end squared 11.1x11.1x11.5 mm / 0.44x0.44x0.45" in - for clamping between flanges in acc. to PN6 ... PN40 - suitable for bio gas, hydrogen - type examination certificate according to Gas Appliances Directive - flow rate non linear - valve disc without stop bar - operating pressure: max. 500 mbar - for the pressure ratings PN10 ... PN40 the flap is supplied with mounting sleeves as installation aid Suitable for electric actuator 668M2006, 668M2020, 668M2040 with square socket 11x11 mm / 0.43x0.43" in (IVK11). Incl. installation material and mounting sleeves. No separate coupling / console is required. The console is part of the valve. As the damper does not have a position indicator, we recommend using an actuator with position indicator.	668M2310
A 10 "INTERNAL DIAMETER"	Selection
INTERNAL DIAMETER DN40	040
INTERNAL DIAMETER DN50	050
INTERNAL DIAMETER DN65	065
INTERNAL DIAMETER DN80	080
INTERNAL DIAMETER DN100	100
INTERNAL DIAMETER DN125	125
INTERNAL DIAMETER DN150	150
A 20 "REDUCTION"	Selection
Without	000
DN40 REDUCED TO DN25	025
DN40/DN50 REDUCED TO DN32	032
DN50/DN65 REDUCED TO DN40	040
DN65/DN80 REDUCED TO DN50	050
DN80/DN100 REDUCED TO DN65	065
DN100/DN125 REDUCED TO DN80	080
DN125/DN150 REDUCED TO DN100	100
DN150 REDUCED TO DN125	125
A 30 "TEMPERATURE RANGE"	Selection
-20 ... +60 °C/ -4 ... +140 °F	060
A 40 "SEALING OF THE FLAP DISC"	Selection
NON-TIGHT CLOSING, leakage appr. 1 % of Kvs-value 90°	0
TIGHT CLOSING, without leakage	D
A 50 "MATERIAL"	Selection
HOUSING STAINLESS STEEL, SHAFT / DISC STAINLESS STEEL	E
A60 "MANUAL ADJUSTMENT"	Selection
WITHOUT MANUAL ADJUSTMENT, for installation on actuator	0
WITH MANUAL ADJUSTMENT, infinitely adjustable locking lever	H
A 70 "CONSTRUCTION LENGTH"	Selection
CONSTRUCTION LENGTH 30 mm / 1.18" in	B30
CONSTRUCTION LENGTH 40 mm / 1.57" in	B40

Technical Data for Gas Damper Type SVGA and Type SVGS

Mounting

Description / Type	Order no.
If no actuator with internal square 11.1 mm / 0.43" in is available, our dampers can also be mounted on output shafts.	Montage1...

A10 "MONTAGE"	Selection
DAMPER 668M2... FOR ASSEMBLING TO SHAFT 10 mm / 0.39" in WITH FEATHER KEY 3x3 mm / 0.12x0.12" in HOLE CIRCLE 50 mm, 4x 90° 6,5 mm	13
DAMPER 668M2... FOR ASSEMBLING TO SHAFT 12 mm / 0.47" in WITH FEATHER KEY 4x4 mm / 0.16x0.16" in HOLE CIRCLE 50 mm / 1.97" in , 4x 90° 6,5 mm / 0.26" in	14
DAMPER 668M2... FOR ASSEMBLING TO BT ACTUATOR 662R500...	15
DAMPER 668M2... FOR ASSEMBLING TO EX ACTUATOR WITH SHAFT 12 mm AND FEATHER KEY 4x4 mm 662R214... HOLE CIRCLE 50 mm / 1.97" in, 4x 90° 6,5 mm / 0.26" in	16



The information in this publication is subject to technical changes.



**LAMTEC Meß- und Regeltechnik
für Feuerungen GmbH & Co. KG**

Josef-Reiert-Straße 26

D-69190 Walldorf

Telefon: +49 (0) 6227 6052-0

Telefax: +49 (0) 6227 6052-57

info@lamtec.de

www.lamtec.de

