

Technical Data Lambda Transmitter LT3-F



Fig. 1 Housing LT3-F with UI300-LT-V2

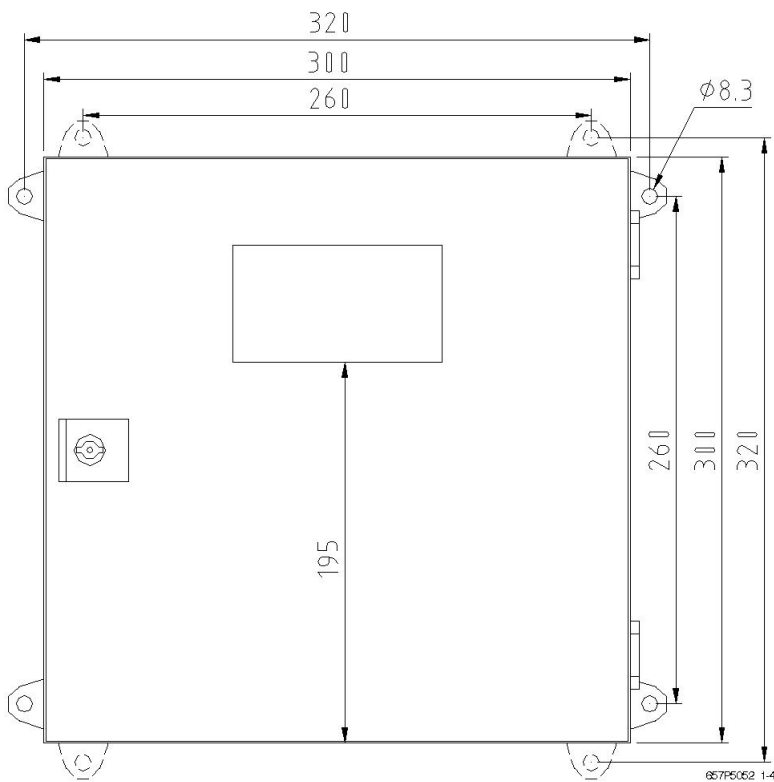


Fig. 2 Dimensional drawing of housing with wall brackets vertical/horizontal

Technical Data Lambda Transmitter LT3-F

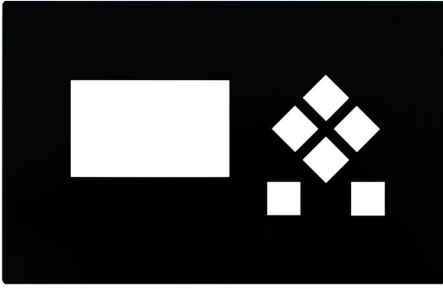


Fig. 3 Additional cover IP65 for the User Interface

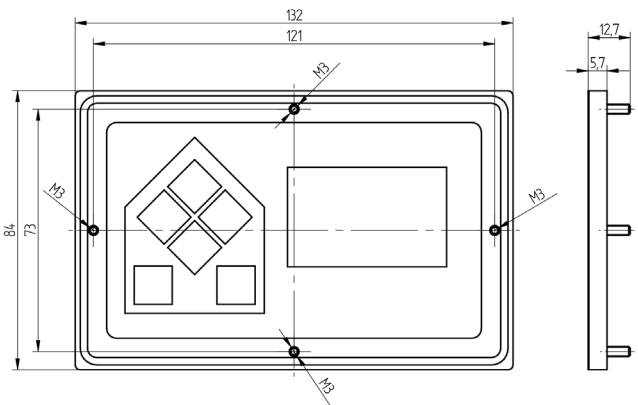
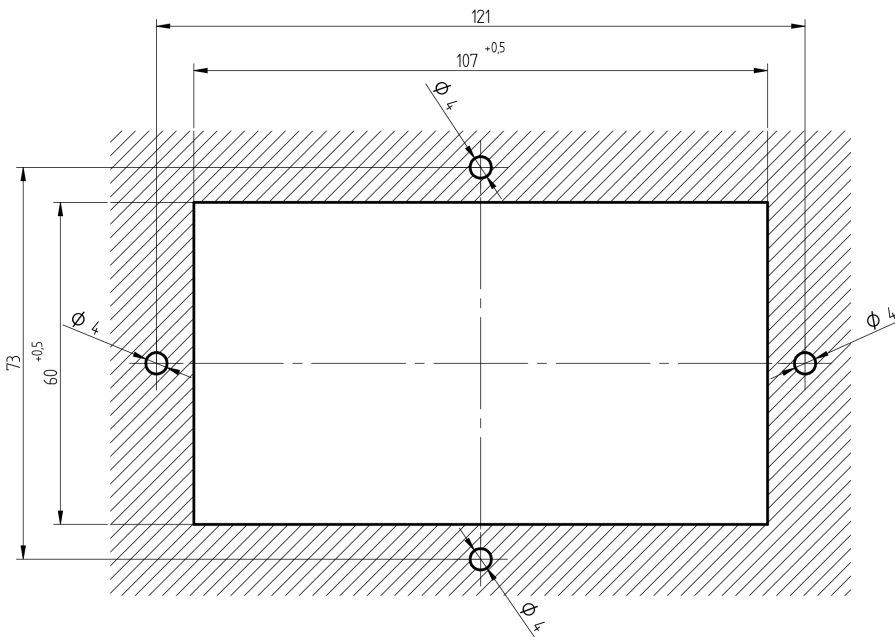


Fig. 4 Dimensions for IP65



Cut out a rectangular mounting cutout from the carrier material

Hight	60 mm 2.36 in
Width	107 mm 4.21 in

Fig. 5 Dimensions of the panel cutout including mounting bore for the IP65 cover

Technical Data Lambda Transmitter LT3-F

LT3-F at wall mounting housing with User Interface UI300-LT-V2

Housing	Mounting house of sheet steel, powder-coated
Protection class acc.to DIN 40050	IP54 with display in the front door
Dimensions (H x W x D)	300 x 300 x 120 mm / 11.81" x 11.81" x 4.72" in
Useful life	10 years
Colour	Light grey RAL 7035
Weight	approx. 6 kg/13.23 lb
Control elements	User Interface UI300-LT-V2 with LCD-Graphic Display 45 x 27 mm (WxH) / 1.77"x1.06" in (W x H) LSB-Remote-Software (Option)

Technical Data IP65 Cover of the User Interface

Dimensions(h x w x d)	84 x 132 x 5,7 mm 3.3 x 5.2 x 0.22 in
Mounting	by studs M3 x 6 mm M3 x 0.24 in
Material	foiled aluminium cover with O-ring seal

Environmental conditions

Degree of protection	DIN EN 60529	IP65
Power supply	120 VAC / -30 % ... 230 VAC / +10 %, 50 ... 60 Hz Use only in earthed networks!	
Power consumption	Typically 30 W, max. 69 W	
Resolution	O ₂ : 0.1 vol. % O ₂ CO _e 1 ppm in CO range 0 ... 1,000 ppm	
Time for operational readiness	In case of initial start-up of the KS1D Combination Probe, 60 minutes, otherwise about 10 minutes after MAINS ON	

Analogue outputs

Optional

Analogue outputs via additional module	Analogue output 1 (O ₂ measured value)
Precision: 1%	- Setting range: 0 ... 25 % O ₂
Load: 300 Ω/output	- Factory setting: 0 ... 10 vol. % O ₂ → 4 ... 20 mA/fault 0 mA
	Analogue output 2 (CO _e measured value)
	- Setting range: 0 ... 30,000 ppm
	- Factory setting: 0 ... 1,000 ppm → 4 ... 20 mA/fault 0 mA

Digital outputs

Optional

Digital outputs via additional module	- 4 floating contacts no, function adjustable via user interface - Switching voltage max. 250 V - Switching current 6 A, max. 12 A/module
---------------------------------------	---

Digital inputs

Optional

Digital inputs via additional module	- 4 digital inputs 24 VDC, floating - Functions can be set via LSB remote software
--------------------------------------	---

Efficiency calculation

Optional

Calculation of the combustion efficiency via additional module	- 2 Pt100 inputs for connecting of the flue gas and inlet air temperature 0 °C ... 400 °C/32 °F ... 752 °F - 2 analogue outputs 0/4 ... 20 mA for the output of the flue gas air temperature and efficiency
--	--

Technical Data Lambda Transmitter LT3-F

Field bus connection		Optional
Field bus connection to PROFIBUS DP via additional module		- Reading of values, statuses, faults, and warnings - Reset of faults and warnings - Setting of digital outputs
Interfaces		
Interfaces		LAMTEC SYSTEM BUS (LSB)
Operating condition		
Operation	Temperature range	-20 °C ... +60 °C/-4 °F ... 140 °F
Transport and storage	Temperature range	-20 °C ... +70 °C/-4 °F ... 158 °F
CE Declaration of Conformity	2014/35/EU	Low Voltage Directive
	2014/30/EU	EMC Directive
	2009/142/EG	Gas Appliance Directive

NOTICE

The limits of the technical data must be strictly adhered to.

Technical Data Lambda Transmitter LT3-F

Order Information

NOTICE

Lambda-Transmitter LT3-F not usable as stand-alone-device.

SIL2-certification only in combination with LAMTEC-devices ETAMATIC, FMS, VMS, BT300, CMS and CO/O₂-control !

Lambda-Transmitter LT3-F in wall mounting housing, RAL7035, for the simultaneous measurement of the concentration of O₂ and oxidizing gas components (CO/H₂), displayed as CO_e

Description/Type	Order no.
Lambda Transmitter LT3-F in wall mounting housing	657R50
A 10 – DISPLAY	Selection
WITH USER INTERFACE UI300-LT3-V2, IP54 Extended configuration only possible via programming unit or LSB-Remote Software for PC	20
A 20 – OUT-/INPUTS	Selection
WITHOUT OUT- / INPUTS	00
4 ANALOGUE OUTPUTS 0/4 ... 20 mA	05
4 ANALOGUE OUTPUTS 0/2 ... 10 V	10
4 DIGITAL OUTPUTS, FOR OUTPUT OF LIMIT VALUES AND OPERATING STATES	20
4 DIGITAL INPUTS	25
4 DIGITAL- AND 4 ANALOGUE OUTPUTS 0/4 ... 20 mA	30
4 DIGITAL- AND 4 ANALOGUE OUTPUTS 0/2 ... 10 V	35
4 DIGITAL INPUTS AND 4 ANALOGUE OUTPUTS 0/4 ... 20 mA	50
4 DIGITAL INPUTS AND 4 ANALOGUE OUTPUTS 0/2 ... 10 V	55
4 DIGITAL INPUTS, 4 DIGITAL- AND 4 ANALOGUE OUTPUTS 0/4 ... 20 mA	60
A 40 – HART-COMMUNICATION	Selection
WITHOUT	00
A 50 – EFFICIENCY CALCULATION	Selection
WITHOUT	00
EFFICIENCY-MODULE WITH 2 PT100-INPUTS AMBIENT AIR AND FLUE GAS 0...400°C 2 ANALOGUE OUTPUTS 0/4 ... 20 mA	01
A 60 – FIELD BUS CONNECTION	Selection
WITHOUT	00
PROFIBUS DP	01

Additional required: - Combination probe KS1D in standard housing, order no. 656R2000, and accessories.
 or
 - Combination probe KS1D-HT, order no. 656R2015, and accessories

Technical Data Lambda Transmitter LT3-F

External display and operation

Description/Type	Order no.
LSB Remote Software for PC up from WIN XP, incl. connection cable length 4 m / 13.12 ft, with USB/CAN-Module	657R9000
LSB Remote Software for PC up from WIN XP , incl. connection cable length 4 m / 13.12 ft, without USB/CAN-Module	657R9001
If LSB Remote Software and USB / CAN module available for BT300: connecting cable for LT3 / LT3-F, length 4 m / 13.12 ft	657R0426
Additional cover IP65 for UI300-LT-V2 integrated in LT3-F, incl. fixing screws	668R0320



The information in this publication is subject to technical changes.



LAMTEC Meß- und Regeltechnik für Feuerungen GmbH & Co. KG

Josef-Reiert-Straße 26

D-69190 Walldorf

Telefon: +49 (0) 6227 6052-0

Telefax: +49 (0) 6227 6052-57

info@lamtec.de
www.lamtec.de

