

## Technical Data Extension Module LEM100 for LSB

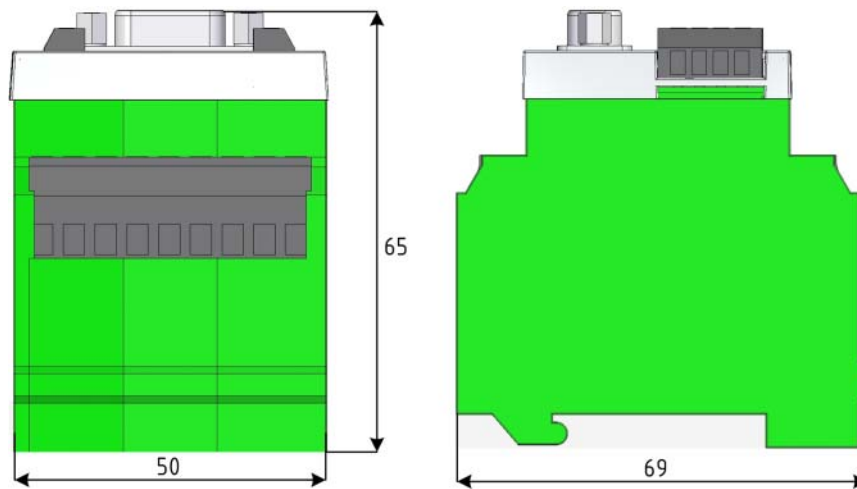


Fig. 1-1 Dimensions LEM100

<b>General data</b>	
Power supply	24 VDC -10/+15 % SELV
Current consumption	480 mV (60 mA internal consumption)
Housing	Polyamide 6.6 (panel: polycarbonate)
Dimensions (HxWxD)	65x70x50 mm (2.56x2.76x1.97" in)
Weight	approx. 200 g (0.44 lb)
Flammability	UL-94 V0 (panel: UL-94 V2)
Mounting position	as desired
Installation	TS35 mounting rail as per EN 50022
Connection cross section	2.5 mm <sup>2</sup> (13 AWG) (plugged LSB terminals: 1.5 mm <sup>2</sup> (15 AWG))
<b>24 VDC output</b>	
Rated voltage	24 VDC
Output current	ca. 420 mA
Power consumption (IN/OUT)	11,5 W / 10 W
Short-circuit resistant	yes, unlimited
<b>LAMTEC SYSTEM BUS</b>	
Bit rate	125 kbit/s
Termination	Termination: integrated, switched by jumper

# Technical Data Extension Module LEM100 for LSB

## Environmental Conditions

<b>Operation:</b>	Climatic conditions	Class 3K5 according to DIN EN 60721-3
	Mechanic conditions	Class 3M5 according to DIN EN 60721-3
	Temperature range	-20 ... +60 °C (-4° ... +140 °F) (condensation is prohibited)
<b>Transport:</b>	Climatic conditions	Class 2K3 according to DIN EN 60721-3
	Mechanic conditions	Class 2M2 according to DIN EN 60721-3
	Temperature range	-20 ... +70 °C (-4 ... +158 °F) (condensation is prohibited)
<b>Storage:</b>	Climatic conditions	Class 1K3 according to DIN EN 60721-3
	Mechanic conditions	Class 1M2 according to DIN EN 60721-3
	Temperature range	-20 ... +70 °C (-4 ... +158 °F) (condensation is prohibited)
<b>Electronic safety:</b>	Degree of protection (DIN EN60529)	IP40 housing IP20 terminals

### NOTICE

The limits of the technical data must be strictly adhered to.

## Order Information

Description / Type	Order-no.
LEM100 Extension module for LSB * without connecting cable (must be ordered separately)	667R0400-1
Connecting cable 1 m	667P0515

\* Additional required:

External 24 V power supply



The information in this publication is subject to technical changes.

**LAMTEC Meß- und Regeltechnik  
für Feuerungen GmbH & Co. KG**

Wiesenstraße 6  
D-69190 Walldorf  
Telefon: +49 (0) 6227 6052-0  
Telefax: +49 (0) 6227 6052-57

[info@lamtec.de](mailto:info@lamtec.de)  
[www.lamtec.de](http://www.lamtec.de)

