

Technical Data Rast5-Module

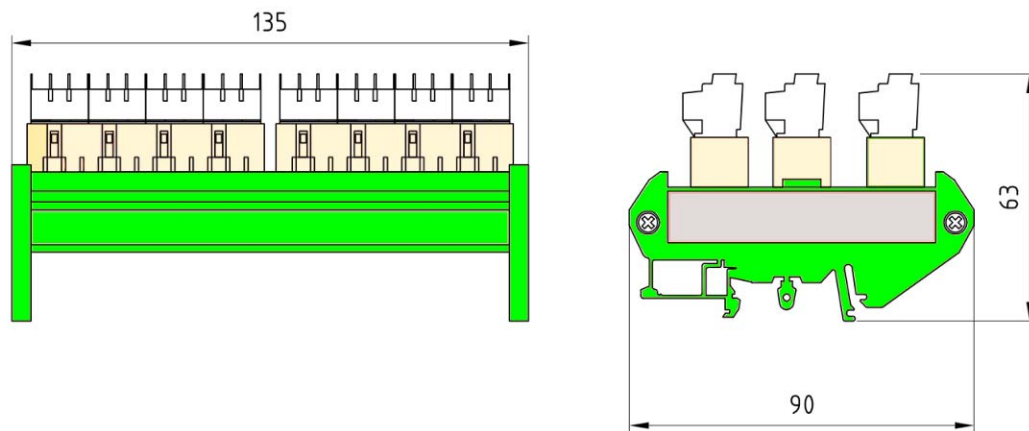


Fig. 1-1 Dimensions Rast5 module

Rast5-Module	
Housing	PVC green
Mounting	Mounting rail TH35 according to EN 60715
Dimensions (HxWxD)	80x70x65 mm (3.15"x2.76"x2.56" in)
Weight	265 g (0.58 lb)
Flammability	UL-94 V0 (Panel: UL-94 V2)
Cable length	refer to inputs/outputs of DFM300
Connection cross section	2,5 mm ² (13 AWG)

Environmental conditions

Operation	Climatic conditions	Class 3K5 according to DIN EN 60721-3
	Mechanic conditions	Class 3M5 according to DIN EN 60721-3
	Temperature range	-15 ... +50 °C (+5 ... +122 °F) (condensation is prohibited)
Transport	Climatic conditions	Class 2K3 according to DIN EN 60721-3
	Mechanic conditions	Class 2M2 according to DIN EN 60721-3
	Temperature range	-15 ... +50 °C (+5 ... +122 °F) (condensation is prohibited)
Storage	Climatic conditions	Class 1K3 according to DIN EN 60721-3
	Mechanic conditions	Class 1M2 according to DIN EN 60721-3
	Temperature range	-15 ... +50 °C (+5 ... +122 °F) (condensation is prohibited)
Electronic safety	Protection class (DIN EN 60529)	IP20

NOTICE

The limits of the technical data must be strictly adhered to.

Order Information

Description / Type

Order no.

RAST5 adapter without connectors, for DFM300 (extension module for dual-fuel-burner) DIN-rail mounting

667R0620-1



The information in this publication is subject to technical changes.



**LAMTEC Meß- und Regeltechnik
für Feuerungen GmbH & Co. KG**

Wiesenstraße 6
D-69190 Walldorf

Telefon: +49 (0) 6227 6052-0
Telefax: +49 (0) 6227 6052-57

info@lamtec.de
www.lamtec.de

