

## Technical Data BC300 in Wall Mounting Housing



Fig. 1 BC300 in wall mounting housing

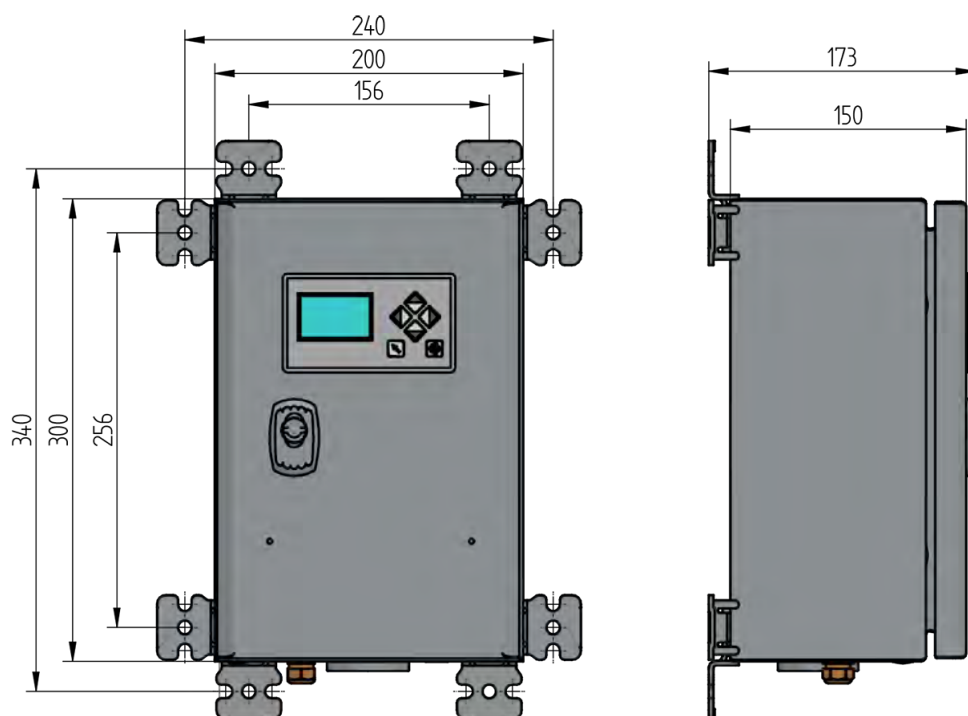


Fig. 2 Dimension wall mounting housing for BC300

## Technical Data BC300 in Wall Mounting Housing

### Dimensions

Dimension (H x W x D)	300 x 200 x 150 mm/11.81 x 7.87 x 5.91" in
Weight	4.3 kg/9.48 lb
Material	sheet steel RAL7035 lightgrey (further colours upon request)
Cable entry power supply	M 16 x 1.5, cable- $\varnothing$ 5 ... 10 mm/0.20 ... 0.39" in, PA
Cable entry residual connecting cable	cable bushing passages for 8 connecting cable cable- $\varnothing$ 4 x 3.2 – 6.5 mm/0.13 – 0.26" in and 4 x 5 – 10.2 mm/ 0.20 – 0.40" in

### Environmental Conditions

<b>Operation</b>	climatic conditions	class 3K5 according to DIN EN 60721-3
	mechanical conditions	class 3M5 according to DIN EN 60721-3
	temperature range	-20 ... +60 °C/-4 ... +140 °F (non-condensing)
<b>Transport</b>	climatic conditions	class 2K3 according to DIN EN 60721-3
	mechanical conditions	class 2M2 according to DIN EN 60721-3
	temperature range	-20 ... +70 °C/-4 ... +158 °F (non-condensing)
<b>Storage</b>	climatic conditions	class 1K3 according to DIN EN 60721-3
	mechanical conditions	class 1M2 according to DIN EN 60721-3
	temperature range	-20 ... +70 °C/-4 ... +158 °F (non-condensing)
<b>Degree of protection</b>	DIN EN 60529	IP40 (UI300 clamped) IP54 (UI300 adhered) IP65 (with additional front frame)

### Spark Igniter for Single or Double Electrode Mode (optional)

Weight	1750 g/3.86 lb
Current consumption with 230 V/ 50 Hz/60 Hz	1 A / 0.8 A
Apparent power 230V /50 Hz/60 Hz	230 VA / 184 VA
Ignition voltage	8 kV
Ignition current	20 mA
Duty cycle	19 %/3 min.
Interference suppression sleeve of the ignition lines	1 $\Omega$ W
Cable entry point of ignition cable	M 16 x 1,5, Kabel- $\varnothing$ 5 ... 10 mm/0.20 ... 0.39" in, PA

### PROFINET connection (Option)

Weight	600 g/1.32 lb
Cable entry PROFINET, when used Ethernet / CAT5 RJ45 connection cable	dividable screwed cable gland, cable- $\varnothing$ 6 mm/0.24" in 1 piece when using one port (star wiring) 2 pieces when using one port (series wiring)
Cable entry PROFINET, when used with preconfigured PROFINET con- nection cable	4-pole M12 connector 1 piece when using one port (star wiring) 2 pieces when using one port (series wiring)

## Technical Data BC300 in Wall Mounting Housing

### BC300

Power supply	230 V +10/-15 % 47-63 Hz 115 V +10/-15 % 47-63 Hz (upon request)
Maximum backup-fuse	10 A slow-blow
	<b>To be used only in a grounded power line network!</b>
Power consumption	max. 30 VA
Switching threshold of ionisation current	1 $\mu$ A
Digital signal inputs	max. cable length 70 m/229.66 ft
Digital outputs	2 fuel valves, max. 1 A cos $\varphi$ 0.4 relay for electrode operating, max. 1 A cos $\varphi$ 0.4 combustion air valve, max. 2 A cos $\varphi$ 0.4 process status signal, max. 2 A cos $\varphi$ 0.4 spark igniter, max. 2 A cos $\varphi$ 0.2 alarm output, max. 1 A cos $\varphi$ 0.3
Flammability	UL-94 V0

### Display UI300

Display	128 x 64 pixel, monochrom white backlighting, dimmable
Housing	basic housing: polyamid, glass fibre reinforced LCD-display window: polycarbonat
Flammability	basic housing UL-94 V0 LCD-display window UL-94 V2

### NOTICE

The limits of the technical data must be strictly adhered to.

## Order Information

### BC300 in wall mounting housing

Description/Type	Order no.
BurnerControl 230 VAC, BC300/UI300 including: - sheet steel case, H300 x W200 x D150 mm/H11.81 x W7.87 x D5.91" in, RAL7035 light grey door hinge right , degree of protection IP54 further colours on request degree of protection IP 65 on request - BurnerControl BC300, 230 VAC, burner sequencer for furnace applications - terminal set, complete, for BC300, glow wire resistant, screw-in technology - UI300 User Interface for BC300	667R1480-1
BurnerControl 120 VAC, BC300 / UI300 including: - sheet steel case, H300 x B200 x T150 mm/H11.81 x W7.87 x D5.91" in, RAL7016 anthracite grey door hinge right , degree of protection IP54 degree of protection IP 65 on request - BurnerControl BC300, 120 VAC, burner sequencer for furnace applications - terminal set, complete, for BC300, glow wire resistant, screw-in technology - UI300 User Interface for BC300	667R1481-1

# Technical Data BC300 in Wall Mounting Housing

## BC300/UI300/PROFINET

Description/Type	Order no.
BurnerControl 230 VAC, BC300/UI300/PROFINET, including: - sheet steel case, H300 x W200 x D150 mm/H11.81 x W7.87 x D5.91" in, RAL7035 light grey door hinge right , degree of protection IP54 further colours on request degree of protection IP 65 on request - BurnerControl BC300, 230 VAC, burner sequencer for furnace applications - terminal set, complete, for BC300, glow wire resistant, screw-in technology - UI300 User Interface for BC300 - fieldbus module EBM112, PROFINET 2 ports - connecting cable BC-EBM112, length 1 m/3.28 ft - power supply unit PSU2415, 100 ... 240 VAC/24 VDC, 15 W	667R1482-1

PROFINET CONNECTION	Selection
1 PORT, CONNECTION VIA RJ45-JACK	1
2 PORTS, CONNECTION VIA RJ45-JACK	2
1 PORT, CONNECTION VIA M12 SOCKET	3
2 PORTS, CONNECTION VIA M12 SOCKET	4

Description/Type	Order no.
BurnerControl 120 VAC, BC300/UI300/PROFINET, including: - sheet steel case, H300 x W200 x D150 mm/H11.81 x W7.87 x D5.91" in, RAL7035 light grey door hinge right , degree of protection IP54 further colours on request degree of protection IP 65 on request - BurnerControl BC300 120 VAC, burner sequencer for furnace applications - terminal set, complete, for BC300, glow wire resistant, screw-in technology - UI300 User Interface for BC300 - fieldbus module EBM112, PROFINET 2 ports - connecting cable BC-EBM112, length 1 m/3.28 ft - power supply unit PSU2415, 100 ... 240 VAC/24 VDC, 15 W	667R1483-1

PROFINET CONNECTION	Selection
1 PORT, CONNECTION VIA RJ45-JACK	1
2 PORTS, CONNECTION VIA RJ45-JACK	2
1 PORT, CONNECTION VIA M12 SOCKET	3
2 PORTS, CONNECTION VIA M12 SOCKET	4

## BC300/UI300/spark igniter

Description/Type	Order no.
BurnerControl 230 VAC, BC300/UI300/PROFINET, including: - sheet steel case, H300 x W200 x D150 mm/H11.81 x W7.87 x D5.91" in, RAL7035 light grey door hinge right , degree of protection IP54 further colours on request degree of protection IP 65 on request - BurnerControl BC300, 230 VAC, burner sequencer for furnace applications - terminal set, complete, for BC300, glow wire resistant, screw-in technology - UI300 User Interface for BC300 - spark igniter Prim. 230 V/50 Hz-1 A, Sec. 1 x 8 kV 20 mA, ED 19 % - 3 min. incl. interference suppression sleeve	667R1484-1

IGNITION ELECTRODE / IONISATION ELECTRODE	Selection
SINGEL ELECTRODE MODE ignition and ionisation monitoring via a common electrode	1
DOUBLE ELECTRODE MODE ignition and ionisation monitoring via two different electrodes	2

# Technical Data BC300 in Wall Mounting Housing

Description/Type	Order no.
BurnerControl 120 VAC, BC300/UI300/PROFINET, including: - sheet steel case, H300 x W200 x D150 mm/H11.81 x W7.87 x D5.91" in, RAL7035 light grey door hinge right , degree of protection IP54 further colours on request degree of protection IP 65 on request - BurnerControl BC300,120 VAC, burner sequencer for furnace applications - terminal set, complete, for BC300, glow wire resistant, screw-in technology - UI300 User Interface for BC300 - spark igniter Prim. 230 V/50 Hz-1 A, Sec. 1 x 8 kV 20 mA, ED 19 % - 3 min. incl. interference suppression sleeve - increasing transformer IN 110 ... 120 VAC/OUT 130 ... 140 VAC	667R1485-1

IGNITION ELECTRODE / IONISATION ELECTRODE	Selection
SINGEL ELECTRODE MODE ignition and ionisation monitoring via a common electrode	1
DOUBLE ELECTRODE MODE ignition and ionisation monitoring via two different electrodes	2

## BC300/UI300/PROFINET/spark igniter

Description/Type	Order no.
BurnerControl 230 VAC, BC300/UI300/PROFINET, including: - sheet steel case, H300 x W200 x D150 mm/H11.81 x W7.87 x D5.91" in, RAL7035 light grey door hinge right , degree of protection IP54 further colours on request degree of protection IP 65 on request - BurnerControl BC300, 230 VAC, burner sequencer for furnace applications - terminal set, complete, for BC300, glow wire resistant, screw-in technology - UI300 User Interface for BC300 - fieldbus module EBM112, PROFINET 2 ports - connecting cable BC-EBM112, length 1 m/3.28 ft - power supply unit PSU2415, 100 ... 240 VAC/24 VDC, 15 W - spark igniter Prim. 230 V/50 Hz-1 A, Sec. 1 x 8 kV 20 mA, ED 19 % - 3 min. incl. interference suppression sleeve	667R1486-1

PROFINET CONNECTION	Selection
1 PORT, CONNECTION VIA RJ45-JACK	1
2 PORTS, CONNECTION VIA RJ45-JACK	2
1 PORT, CONNECTION VIA M12 SOCKET	3
2 PORTS, CONNECTION VIA M12 SOCKET	4

IGNITION ELECTRODE / IONISATION ELECTRODE	Selection
SINGEL ELECTRODE MODE ignition and ionisation monitoring via a common electrode	1
DOUBLE ELECTRODE MODE ignition and ionisation monitoring via two different electrodes	2

Description/Type	Order no.
BurnerControl 120 VAC, BC300/UI300/PROFINET, including: - sheet steel case, H300 x W200 x D150 mm/H11.81 x W7.87 x D5.91" in, RAL7035 light grey door hinge right , degree of protection IP54 further colours on request degree of protection IP 65 on request - BurnerControl BC300,120 VAC, burner sequencer for furnace applications - terminal set, complete, for BC300, glow wire resistant, screw-in technology - UI300 User Interface for BC300 - fieldbus module EBM112, PROFINET 2 ports - connecting cable BC-EBM112, length 1 m/3.28 ft - power supply unit PSU2415, 100 ... 240 VAC/24 VDC, 15 W - spark igniter Prim. 230 V/50 Hz-1 A, Sec. 1 x 8 kV 20 mA, ED 19 % - 3 min. incl. interference suppression sleeve - increasing transformer IN 110 ... 120 VAC/OUT 130 ... 140 VAC	667R1487-1

# Technical Data BC300 in Wall Mounting Housing

PROFINET CONNECTION	Selection
1 PORT, CONNECTION VIA RJ45-JACK	1
2 PORTS, CONNECTION VIA RJ45-JACK	2
1 PORT, CONNECTION VIA M12 SOCKET	3
2 PORTS, CONNECTION VIA M12 SOCKET	4

IGNITION ELECTRODE / IONISATION ELECTRODE	Selection
SINGEL ELECTRODE MODE ignition and ionisation monitoring via a common electrode	1
DOUBLE ELECTRODE MODE ignition and ionisation monitoring via two different electrodes	2



The information in this publication is subject to technical changes.



**LAMTEC Meß- und Regeltechnik  
für Feuerungen GmbH & Co. KG**

Wiesenstraße 6  
D-69190 Walldorf  
Telefon: +49 (0) 6227 6052-0  
Telefax: +49 (0) 6227 6052-57

[info@lamtec.de](mailto:info@lamtec.de)  
[www.lamtec.de](http://www.lamtec.de)

