

Technical Data NO_x Transmitter NT1

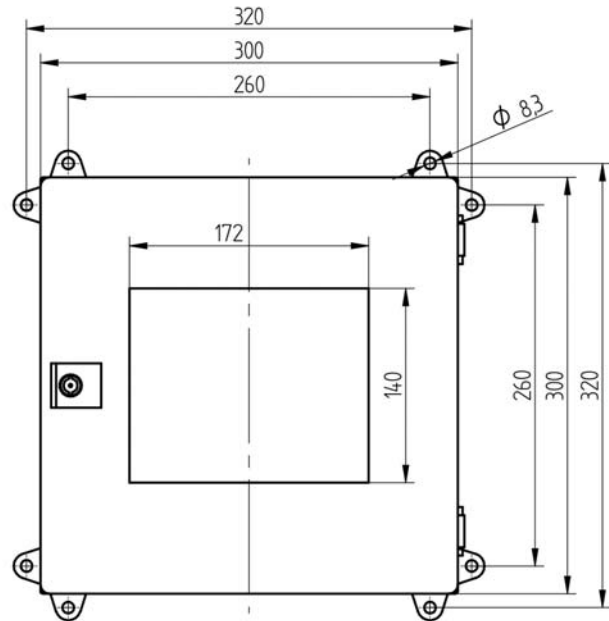


Fig. 1 NO_x Transmitter NT1

Fig. 2 Dimensional drawing NO_x Transmitter NT1

Technical Data

Housing	Mounting house of sheet steel, powder-coated
Dimensions (HxWxD)	300x300x150 mm / 11.81" x 11.81" x 5.91" in
Weight	approx. 7.6 kg / 16.76 lb (depending on the equipment)
Colour	Light grey RAL 7035
Control elements	144.78 mm / 5.7" industrial touch screen display VGA (640 x 480)
Power supply	120 VAC/-25 % ... 230 VAC/+15 %, 50 ... 60 HZ
Analogue output (up to 2 modules)	4 outputs each sensor ± 10 V or 0/4 ... 20 mA, 13 Bit converter resolution load max. 600 Ω / output setting range for each sensor: O ₂ : 0 ... 25.0 Vol.% \rightarrow 4 ... 20 mA NO _x : 0 ... 3,100 ppm or 0 ... 6,374 mg/Nm ³ \rightarrow 4 ... 20 mA
Power consumption / current consumption	for 2 connected sensors: 42 W / 0.22 A at 20 °C / 68 °F; 72 W/1.23 A during heating-up phase for 4 connected sensors: 72 W / 0.35 A at 20 °C / 68 °F; 150 W/1.23 A during heating-up phase max. 250 W/1.23 A
Resolution	O ₂ 0.1 Vol. % NO _x 1 ppm or mg/Nm ³
Digital output (up to 2 modules)	6 relay each module (switch NO floating); max. switching voltage 240 VAC/2 A or 30 VDC/2 A (individual customizable)

Technical Data NO_x Transmitter NT1

Connection	
Electrical Connection	Terminal block with Push-in-connection, max. 2,5 mm ² / 13 AWG Shield support via EMV-cable gland M16, Ø 5-9 mm / 0.2-0.35 "in
Recommended cable length	max. 40 m / 131.23 ft to the probe
Recommended connection cable	5x0,75 mm ² / 10x18 AWG, shielded

Environmental Conditions

	Perm. Temperature Range	Climatic Conditions
Operation	0 ... +40 °C / +32 ... +104 °F	15 ~ 90% rel. humidity, non-condensing
	0 ... +50 °C / +32 ... +122 °F	15 ~ 65% rel. humidity, non-condensing
Transport	-20 ... +40 °C / -4 ... +104 °F	15 ~ 90% rel. humidity, non-condensing
	-20 ... +70 °C / -4 ... +158 °F	15 ~ 45% rel. humidity, non-condensing
Storage	-20 ... +40 °C / -4 ... +104 °F	15 ~ 90% rel. humidity, non-condensing
	-20 ... +70 °C / -4 ... +158 °F	15 ~ 45% rel. humidity, non-condensing
Degree of protection	DIN EN 40050	IP65

NOTICE

The limits of the technical data must be strictly adhered to.

Order Information

Description / Type	Order no.
NO _x Transmitter NT1 in wall mounting housing, max. one probe, incl. LSB	657R61
NO _x Transmitter NT1 in wall mounting housing, max. 2 probes, without LSB	657R62
NO _x Transmitter NT1 in wall mounting housing, max. 4 probes, without LSB	657R64

The information in this publication is subject to technical changes.



**LAMTEC Meß- und Regeltechnik
für Feuerungen GmbH & Co. KG**

Wiesenstraße 6
D-69190 Walldorf
Telefon: +49 (0) 6227 6052-0
Telefax: +49 (0) 6227 6052-57

info@lamtec.de
www.lamtec.de

