

Technical Data Flame Sensor FFS07 ...



Fig. 1-1 FFS07 ...

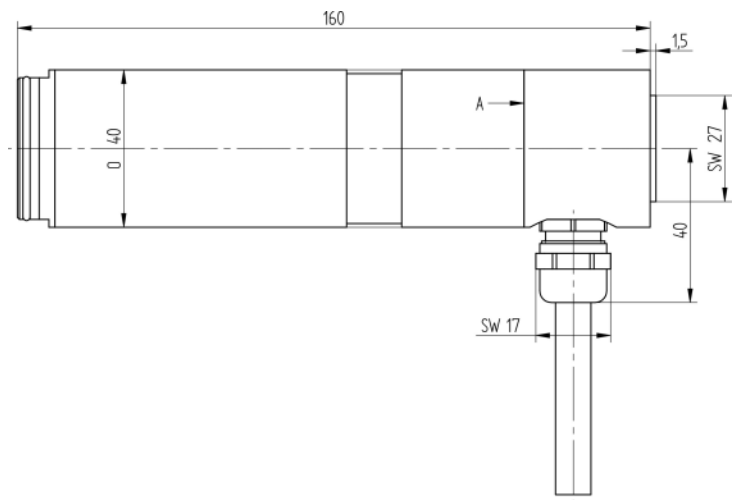


Fig. 1-2 FFS07 ...



Fig. 1-3 FFS07 ... V

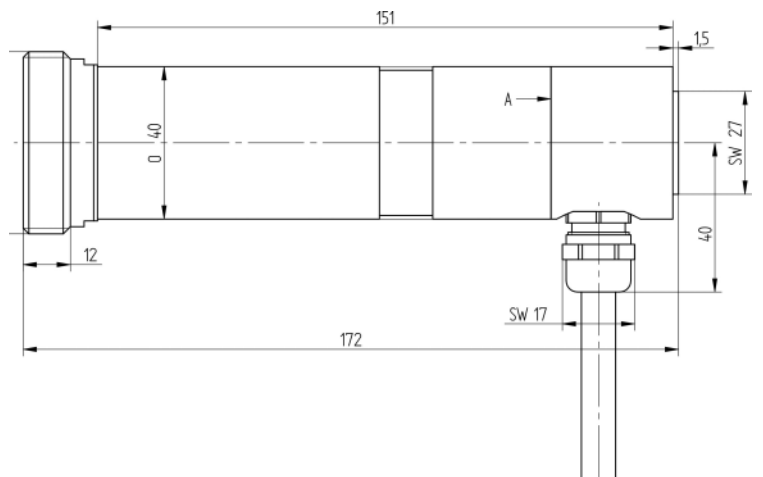


Fig. 1-4 FFS07 ... V



Fig. 1-5 FFS07 ... Ex

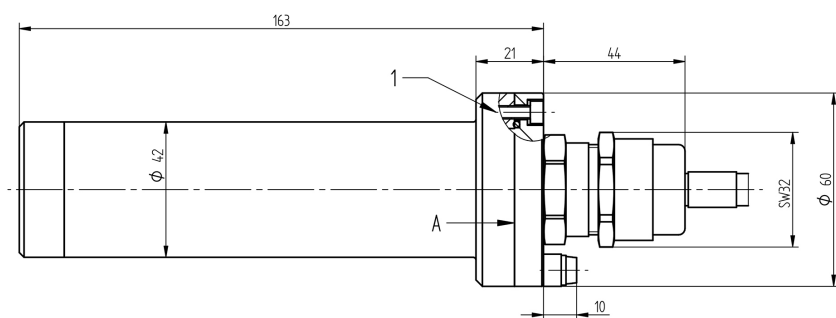


Fig. 1-6 FFS07 ... Ex

NOTICE

The connecting cable at FFS07 is marked for approx. 1.5 cm (0.6 in) with yellow heat-shrinkable sleeve.

Technical Data Flame Sensor FFS07 ...

Dimension

Housing type	Standard version, V = screwing in version, Ex = explosion-proof design zone 1
Weight	Standard version with connecting cable, 3 m/9.84 ft - 0,40 kg/ 0.88 lb V version with connecting cable, 3 m/9.84 ft - 0,45 kg/0.99 lb Ex version with connecting cable, 3 m/9.84 ft - 0,5 kg/1.10 lb
Material	FFS07: Corrosion-resistant aluminium EN AW 6082 (seawater 2*; atmospheric condition 1*), nickel plated FFS07 Ex: Brass EN CW614N, nickel plated

* Comparative evaluation from 1 (very good) to 6 (unsuitable)

Input data

Power supply	24 ... 42 VDC, supply from data interpreting device
Power consumption	< 20 mA

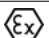

Characteristics

Operation possible with	F152, ETAMATIC, FA1, F150 (not approved)
Operation not possible with	F250, F151
Compatible	FFS07 UV- ... successor type of FFS05 UV- ... FFS07 IR- ... successor type of FFS05 IR- ...
Viewing angle	UV - 8° approx. IR - 60° approx.
Sensitivity min.	10 mVAC
Spectral region	UV-1 260 ... 400 nm UV-4 215 ... 360 nm (replaces UV-2) IR-1 1.200 ... 2.800 nm IR-1 T 1.200 ... 2.800 nm

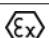

Environmental conditions

Ambient temperature	UV - ... -20 °C ... +65 °C/-4 °F ... 149 °F IR - ... -20 °C ... +60 °C/-4 °F ... 140 °F
Protection class	IP67 for Ex Zone 2 IP66 for Ex Zone 1
Level of protection	III

Application in hazardous areas of zone 2:

Certificate	IECEX IBE 15.0010X
Marking	 II 3G Ex nA IIC T5 (T6) Gc X  II 3D Ex tc IIIC T95°C Dc X

Application in hazardous areas of zone 1:

Certificate	EPS 14 ATEX 1 696 IECEX EPS 14.0042
Marking	 II 2G Ex d IIC T6 Gb  II 2D Ex tb IIIC T80°C Db

Technical Data Flame Sensor FFS07 ...

Order Information

659D21-	A 10 SPECTRUM	A 20 HOUSING	A 30 CABLE LENGTH	A 40 PLUG
---------	------------------	-----------------	----------------------	--------------

A 10 – SPECTRUM	Selection
TYP UV-1 UV-SPECTAL RANGE 260 ... 400 nm	01*
TYP UV-4 UV-SPECTAL RANGE 215 ... 360 nm	04
TYP IR-1 IR-SPECTAL RANGE 1.000 ... 2.500 nm	10
TYP IR-1 T IR-SPECTAL RANGE 1.000 ... 2.500 nm	20

*Default setting

A 20 – HOUSING	Selection
STANDARD HOUSING EX-Zone 2 suitable adjustable holding device FH30-00, FH30-10, FH40-10	0*
HOUSING WITH SCREWED CONNECTION EX-Zone 2 suitable adjustable holding device FV30-00, FV30-10, FV40-10	V
IR-HOUSING EX-Zone 1 suitable adjustable holding device FH30-15, FH30-25, FH40-25	Z1 IR**
UV-HOUSING EX-Zone 1 suitable adjustable holding device FH30-15, FH30-25, FH40-25	Z1 UV**

*Default setting

**not valid for flame scanners EX-area 1

A 30 – CABLE LENGTH*	Selection
Length 0,3 m (1 ft), only available with plug	OE
SILICON, length 0,3 m (1 ft), only available with plug	OE/Si
Length 3 m (10 ft.)	3*
SILICON, length 3 m (10 ft.)	3/Si
Length 5 m (16 ft.)	5
SILICON, length 5 m (16 ft.)	5/Si
Length 10 m (33 ft.)	10
SILICON, length 10 m (33 ft.)	10/Si
Type FFS07, FFS08 with metal protecting hose, article no. with addition "/UL"	f.e. 659D21-01/0/03/UL/0

*Default setting

A 40 – PLUG	Selection
WITHOUT PLUG	0*
WITH PLUG	STE

*Default setting

The information in this publication is subject to technical changes.

**LAMTEC Meß- und Regeltechnik
für Feuerungen GmbH & Co. KG**

Wiesenstraße 6
D-69190 Walldorf
Telefon: +49 (0) 6227 6052-0
Telefax: +49 (0) 6227 6052-57

info@lamtec.de
www.lamtec.de

