

# Technical Data Wide Band Flame Sensor KLC2002 / KLC20

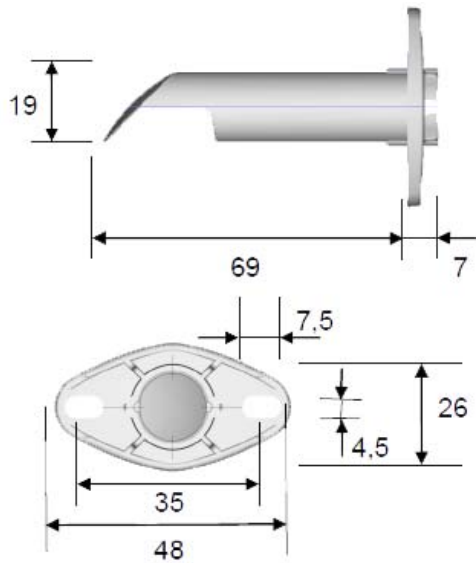


Fig. 1-1 Dimensions of angle adapter for KLC 2002

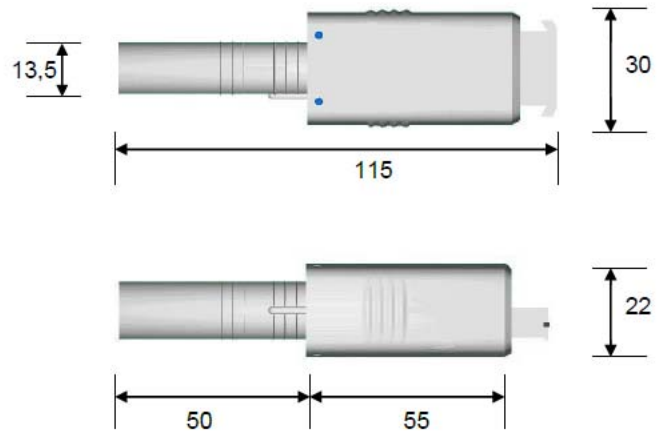


Fig. 1-2 Dimensions KLC 2002

## KLC20/KLC2002

Input Data	
Power supply	KLC20: 120 VAC -15/+10% 50-60 Hz KLC2002: 230/240 VAC -15/+10% 50-60 Hz
Current consumption	3 - 4 mA
Optical Evaluation	
Spectral range	380 - 1150 nm
Design with optical filter 380 - 830 nm:	
Sensitivity max.	920 nm
Tolerable flame signal dips:	280 ms
Fading of the parasitic frequency:	>35 Hz (option)
Dimensions	
Weight	0,029 kg (1.02 oz)
Connecting cable length	1 m (3.3 ft)
Mounting position	any

# Technical Data Wide Band Flame Sensor KLC2002 / KLC20

## Environmental conditions

<b>Operation</b>	Temperature range	-20 ...+60 °C (-4 °F ... +140 °F) (temporarily <1 min. up to +75 °C (+167 °F))
	Humidity	max. 95 % r. F. (condensation is prohibited)
<b>Electrical safety</b>	Protection category	IP41
	Protection class	II
	Protection against contact	DIN EN 60730-2-5

### NOTICE

The limits of the technical data must be strictly adhered to.

## Order Information

Description / Type	Order no.
KLC2002, Wide band flame sensor, front illumination, IP41, 230 V	667R0810-1
KLC20, Wide band flame sensor, front illumination, IP41, 120 V	667R0810-2
Viewing angle for KLC2002 for radial illumination	667R0811-1
Mounting flange for KLC, 7 mm (0.276" in)	667R0812-1
Connecting cable for KLC, length 1.000 mm (39.37" in)	667R0813-1000



only KLC20

The information in this publication is subject to technical changes.



**LAMTEC Meß- und Regeltechnik  
für Feuerungen GmbH & Co. KG**

Wiesenstraße 6  
D-69190 Walldorf  
Telefon: +49 (0) 6227 6052-0  
Telefax: +49 (0) 6227 6052-57

[info@lamtec.de](mailto:info@lamtec.de)  
[www.lamtec.de](http://www.lamtec.de)

