

Technical Data AEC-VS



Fig. 1 AEC-VS photo

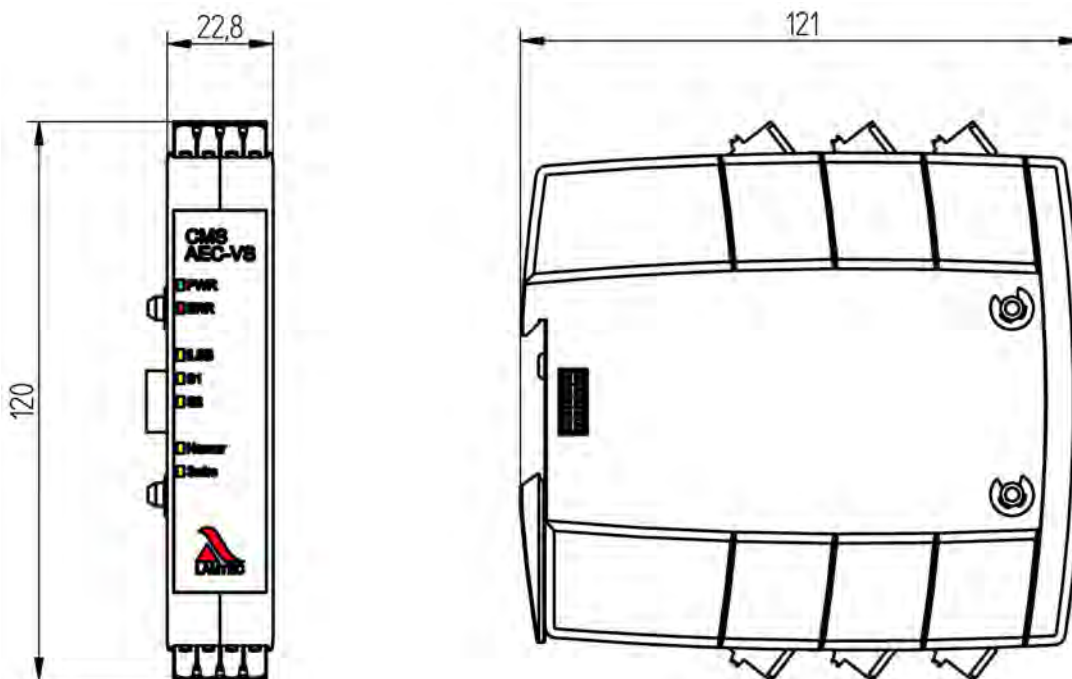


Fig. 2 AEC-VS dimensional drawing

Part number

AEC-VS Actuator Extension Component - Variable Speed

Type 668R0230-XX*

* XX = depends on configuration

Technical Data AEC-VS

Technical Data AEC-VS

Dimensions (h x w x d)	120 x 22.8 x 121 mm/ 4.72 x 0.90 x 4.76" in
Weight	0.160 kg / 0.35 lb
Power supply	24 VDC \pm 20 % (via plug-in connection from MCC)
Current consumption	min: 50 mA max: 60 mA
Power consumption	2 W
Flammability	UL94 V-0

Signal inputs

Namur Pulse input for connecting inductive sensors with Namur interface according to EN 60947-5-6	sensor supply: 8.2 V, max. 8.2 mA conversion of the sensor recording into digital information: – inactive: >2.1 mA \rightarrow digital signal ON – active/pulse: <1.2 mA \rightarrow digital signal OFF – hysteresis: \geq 0.5 mA frequency range: 5 ... 9400 pulse/min. (0.25 ... 157 Hz) pulse length: min. 200 μ s, use shielded connection cable for cable lengths >10 m		
Pulse input 3-wire Pulse input for connecting inductive sensors with 3-wire interface	sensor supply: 24 V conversion of the input voltage into digital information: – inactive: 0 V \rightarrow digital signal OFF – active/pulse: 24 V \rightarrow digital signal ON – hysteresis: $\geq \frac{1}{4} U_{max}$ frequency range: 5 ... 9400 pulses/min (0.25 ... 157 Hz) pulse length: min. 200 μ s, use shielded connection cable for cable lengths >10 m.		
Analogue input 0/4 ... 20 mA for connecting speed transmitter 4 ... 20 mA or position detectors from servomotors with power interface 4 ... 20 mA.	range: 0/4 ... 20 mA, load 150 Ω , accuracy \pm 1 % overcurrent limitation: approx. 25 ... 28 mA use shielded connecting pipework		
Digital inputs (not failsafe)*	24 VDC	120 VDC	230 VDC
nominal current	2.1 mA impedance 11 k Ω	2.1 mA impedance 75 k Ω	2.3 mA impedance 100 k Ω
Since the inrush currents on the contacts are low, use gold-plated silver contacts!			
signal ON (min)	0.55 mA \triangleq 6.9 VDC	0.97 mA \triangleq 56 VAC	0.78 mA \triangleq 77 VAC
signal OFF (max)	0.27 mA \triangleq 4 VDC	0.35 mA \triangleq 21 VAC	0.35 mA \triangleq 36 VAC
electrically safe separation between the input and electronics, floating			

* Do not use for safety-relevant signals

Technical Data AEC-VS

Outputs		
Analogue output 0/4 ... 20 mA or 0/2 ... 10 V Current output 0/4 ... 20 mA Voltage output 0/2 ... 10 V	same setpoint for both outputs can be set via parameters accuracy $\pm 1.5\%$ use shielded connecting pipework voltage ripple $\leq 50\text{ mV}_{pp}$ max. current 10 mA short circuit proof accuracy $\pm 2\%$ des Maximalwerts use shielded connecting pipework	
Digital output	fuse protection	resettable/electronic 4.1 A max. (voltage-dependent) not resettable 5 A fast-acting
electrically safe separation from SELV power supply voltage of the CMS system		

Environmental Conditions

Operation	Permitted temperature range	-30...+70 °C (non-condensing)
	Permitted humidity	5% ... 95 % relative humidity
Transport/Storage	Permitted temperature range	-40...+80 °C (non-condensing)
	Permitted humidity	5 % ... 95 % relative humidity
Degree of protection	DIN EN 60529	IP20 (as long as all terminals are mounted)

NOTICE

The limits of the technical data must be strictly adhered to

Order Information

Description/Type	Order no. - selection
AEC-VS Actuator Extension Component - Variable Speed, power supply 24 VDC/1,5 W Module for controlling and monitoring frequency converters or actuators with 4 ... 20 mA input and 4 ... 20 mA feedback	668R0230...
A 10 – CONTROL VOLTAGE DIGITAL INPUT	Selection
120 VAC	120VAC
230 VAC	230VAC
24 VDC	24VDC
A 20 – CUSTOMER	Selection
STANDARD	S
A 30 – CUSTOMER	Selection
BLACK (STANDARD)	SW
A 40 – CONNECTOR SET	Selection
SCREW TERMINALS Connector set included	SC
SPRING TERMINALS Connector set included	FED
WITHOUT Connector set not included, must be ordered separately, see „Separate Connector Sets for AEC-VS”	0

Technical Data AEC-VS

Separate connector sets for AEC-VS

when attribute 40 „CONNECTOR SET“ = selection „0“

Description/Type	Order no.
Screw Terminals AEC-VS Control Voltage Digital Input 120/230 VAC	668R0081
Screw Terminals AEC-VS Control Voltage Digital Input 24 VDC	668R0082
Spring Terminals AEC-VS Control Voltage Digital Input 120/230 VAC	668R0091
Spring Terminals AEC-VS Control Voltage Digital Input 24 VDC	668R0092



The information in this publication is subject to technical changes.



**LAMTEC Meß- und Regeltechnik
für Feuerungen GmbH & Co. KG**

Wiesenstraße 6
D-69190 Walldorf
Telefon: +49 (0) 6227 6052-0
Telefax: +49 (0) 6227 6052-57

info@lamtec.de
www.lamtec.de

