

## Technical Data Lambda Transmitter LT3



Fig. 1 Housing LT3 with UI300-LT-V2



Fig. 2 LT3 with additional Display and operating unit

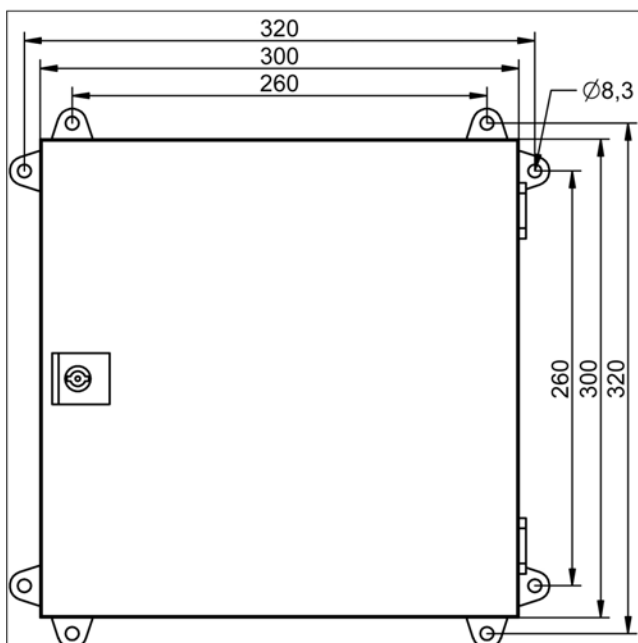


Fig. 3 LT3 Dimensional drawing of housing with wall brackets vertical/horizontal

# Technical Data Lambda Transmitter LT3



Fig. 4 Additional cover IP65 for the User Interface

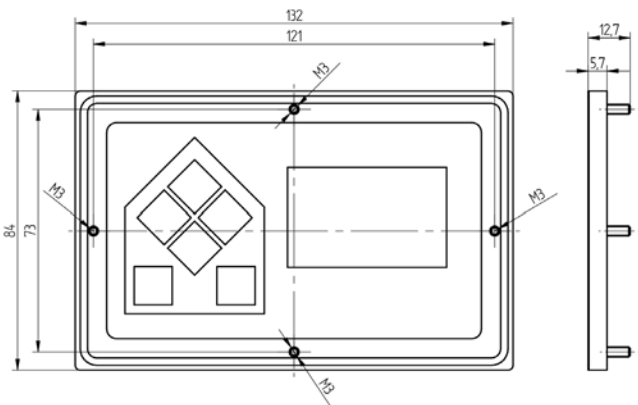
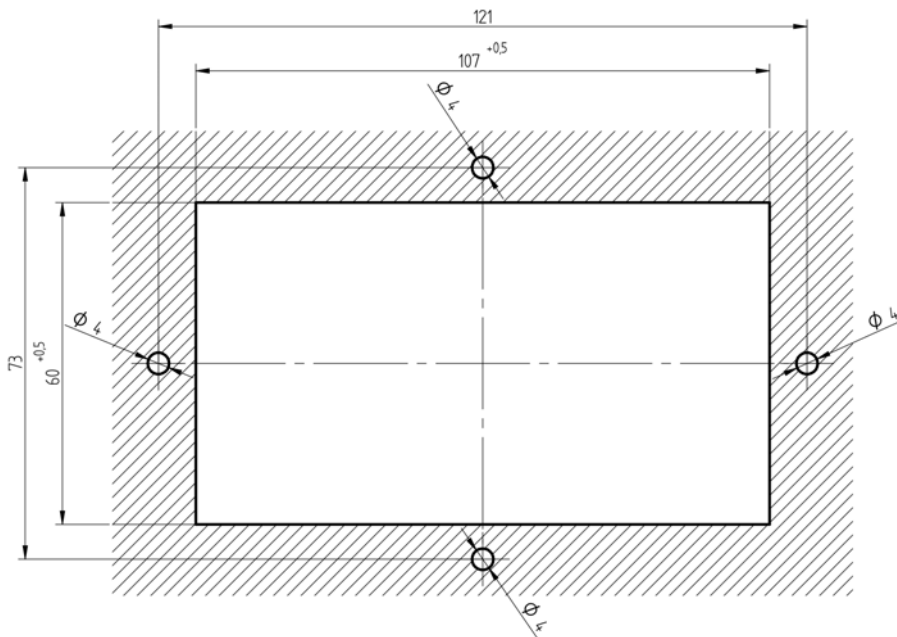


Fig. 5 Dimensional drawing for IP65



**Create a square cut-out and ensure that the burrs are removed.**

Height	60 mm 2.36 in
Width	107 mm 4.21 in

Fig. 6 Dimensional drawing panel cut-out including mounting bore for the IP65 cover

## Technical Data Lambda Transmitter LT3

### LT3 at wall mounting housing with User Interface UI300-LT-V2

Housing	Mounting house of sheet steel, powder-coated
Protection class acc.to DIN 40050	IP54 with display in the front door
Dimensions (H x W x D)	300 x 300 x 120 mm / 11.81" x 11.81" x 4.72" in
Useful life	10 years
Colour	Light grey RAL 7035
Weight	approx. 6 kg/13.23 lb
Control elements	User Interface UI300-LT-V2 with LCD-Graphic Display 45 x 27 mm (WxH) / 1.77"x1.06" in (W x H) LSB-Remote-Software (Option)

### Technical Data IP65 Cover of the User Interface

Dimensions (H x W x D)	84 x 132 x 5,7 mm   3.3 x 5.2 x 0.22 in
Mounting	by studs M3 x 6 mm   M3 x 0.24 in
Material	foiled aluminium cover with O-ring seal

### Environmental conditions

Degree of protection	DIN EN 60529	IP65
----------------------	--------------	------

### LT3 at wall mounting housing with additional display and operating unit IP65

Housing	Mounting house of sheet steel, powder-coated
Protection class acc.to DIN 40050	IP65 with additional display and operating unit
Dimensions (H x W x D)	300 x 300 x 120 mm/11.81" x 11.81" x 4.72" in
Colour	Light grey RAL 7035
Weight	approx. 6 kg/13.23 lb
Control elements	additional display and operating unit with LCD Graphic display 70 x 40 mm/2.76" x 1.57" in, alternative LSB Remote Software

### LT3 without Display/Operating Unit

Housing	Mounting house of sheet steel, powder-coated
Protection class acc.to DIN 40050	IP66
Dimensions (H x W x D)	300 x 300 x 120 mm/11.81" x 11.81" x 4.72" in
Colour	Light grey RAL 7035
Weight	approx. 6 kg/13.23 lb
Control elements	Operation only possible via LSB Remote Software

## Technical Data Lambda Transmitter LT3

Power supply	120 VAC / -30 % ... 230 VAC / +10 %, 50 ... 60 Hz <b>Use only in earthed networks!</b>
Power consumption	Typically 30 W, max. 69 W
Resolution	O <sub>2</sub> : 0.1 vol. % O <sub>2</sub> CO <sub>e</sub> 1 ppm in CO range 0 ... 1,000 ppm
Time for operational readiness	In case of initial start-up of the KS1D Combination Probe, 60 minutes, otherwise about 10 minutes after MAINS ON
<b>Analogue outputs</b>	<b>Optional</b>
Analogue outputs via additional module Precision: 1% Load: 300 Ω/output	Analogue output 1 (O <sub>2</sub> measured value) - Setting range: 0 ... 25 % O <sub>2</sub> - Factory setting: 0 ... 10 vol. % O <sub>2</sub> → 4 ... 20 mA/fault 0 mA Analogue output 2 (CO <sub>e</sub> measured value) - Setting range: 0 ... 30,000 ppm - Factory setting: 0 ... 1,000 ppm → 4 ... 20 mA/fault 0 mA
<b>Digital outputs</b>	<b>Optional</b>
Digital outputs via additional module	- 4 floating contacts no, function adjustable via user interface - Switching voltage max. 250 V - Switching current 6 A, max. 12 A/module
<b>Digital inputs</b>	<b>Optional</b>
Digital inputs via additional module	- 4 digital inputs 24 VDC, floating - Functions can be set via LSB remote software
<b>HART communication</b>	<b>Optional</b>
HART communication via additional module	- 2 analogue outputs 0/4 ... 20 mA for the output of the O <sub>2</sub> and CO <sub>e</sub> - HART communication (read/write) via analogue output 1
<b>Efficiency calculation</b>	<b>Optional</b>
Calculation of the combustion efficiency via additional module	- 2 Pt100 inputs for connecting of the flue gas and inlet air temperature 0 °C ... 400 °C/32 °F ... 752 °F - 2 analogue outputs 0/4 ... 20 mA for the output of the flue gas air temperature and efficiency
<b>Field bus connection</b>	<b>Optional</b>
Field bus connection to PROFIBUS DP via additional module	- Reading of values, statuses, faults, and warnings - Reset of faults and warnings - Setting of digital outputs
<b>Interfaces</b>	
Interfaces	LAMTEC SYSTEM BUS (LSB)

# Technical Data Lambda Transmitter LT3

## Environmental conditions

<b>Operation</b>	temperature range	-20 °C ... +60 °C/-4 °F ... 140 °F (condensation prohibited)
<b>Transport/Storage</b>	temperature range	-20 °C ... +70 °C/-4 °F ... 158 °F (condensation prohibited)
<b>CE Declaration of Conformity</b>	2014/35/EU	Low Voltage Directive
	2014/30/EU	EMC Directive

## NOTICE

The limits of the technical data must be strictly adhered to.

## Order Information

Description/Type	Order no.
Lambda Transmitter LT3 in wall mounting housing	657R51
<b>A 10 – DISPLAY</b>	<b>Selection</b>
WITHOUT DISPLAY IP66	00
WITH DISPLAY AND EXTENDED OPERATING UNIT FOR CONFIGURATION, IP65	10
WITH USER INTERFACE UI300-LT3-V2, IP54	20
<b>A 20 – OUT-/INPUTS</b>	<b>Selection</b>
WITHOUT OUT-/INPUTS	00
4 ANALOGUE OUTPUTS 0/4 ... 20 mA	05
4 ANALOGUE OUTPUTS 0/2 ... 10 V	10
4 DIGITAL OUTPUTS, FOR OUTPUT OF LIMIT VALUES AND OPERATING STATES	20
4 DIGITAL INPUTS	25
4 DIGITAL- AND 4 ANALOGUE OUTPUTS 4 ... 20 mA	30
4 DIGITAL- AND 4 ANALOGUE OUTPUTS 0/2 ... 10 V	35
4 DIGITAL INPUTS AND 4 ANALOGUE OUTPUTS 0/4 ... 20 mA	50
4 DIGITAL INPUTS AND 4 ANALOGUE OUTPUTS 0/2 ... 10 V	55
4 DIGITAL INPUTS, 4 DIGITAL- AND 4 ANALOGUE OUTPUTS 0/4 ... 20 mA	60
<b>A 30 – LANGUAGE*</b>	<b>Selection</b>
GERMAN	D
ENGLISH	E
FRENCH	F
* only relevant in combination with extended operating unit attribute A10 – selection 10	
<b>A 40 – PROBE TYPE</b>	<b>Selection</b>
KS1D (CO/O <sub>2</sub> Monitoring)	00
KS1D-Ex (ATEX CO/O <sub>2</sub> Monitoring)	01
LS2 STANDARD/HT (ONLY O <sub>2</sub> Measurement)	LS2
LS2-Ex RBT (ATEX ONLY O <sub>2</sub> Measurement)	LS2EX
<b>A 50 – HART COMMUNICATION</b>	<b>Selection</b>
WITHOUT	00
HART-MODULE WITH 2 ANALOGUE OUTPUTS 0/4 ... 20 mA HART-KOMMUNIKATION VIA OUTPUT 1	01

# Technical Data Lambda Transmitter LT3

A 60 – EFFICIENCY CALCULATION	Selection
WITHOUT	00
EFFICIENCY-MODULE WITH 2 PT100-INPUTS AMBIENT AIR AND FLUE GAS 0 ... 400° C AND 2 ANALOGUE OUTPUTS 0/ 4 ... 20 mA	01
A 70 – FIELD BUS CONNECTION Select "01" when module should be built-in, otherwise use order no. 657R5950	Selection
WITHOUT	00
PROFIBUS DP	01
A 80 – CO <sub>e</sub> MEASURING RANGE	Selection
STANDARD CO <sub>e</sub> MEASURING RANGE 0 ... 1.000 ppm	00
EXTENDED CO <sub>e</sub> MEASURING RANGE 0 ... 10.000 ppm	01

## External display and operation

Description/Type	Order no.
Programming unit, for operation and programming, as a Set, including: - Programming unit type 663R0932V3.0, in following languages: German/English/French* - Connecting cable type 657R0426, total length 4 m	657R0932
Option 'panel mounting for programming unit'	663R0932T
LSB Remote Software for PC up from Windows XP, incl. connecting cable for LT3/LT3-F, length 4 m, with USB/CAN module	657R9000
LSB Remote Software for PC, up from Windows XP, incl. connecting cable for LT3/LT3-F, length 4 m, without USB/CAN modul	657R9001
If LSB Remote Software and USB / CAN module available for BT300: connecting cable for LT3 / LT3-F, length 4 m	657R0426
Additional cover IP65 for UI300-LT-V2 in LT3, incl. fastening screw	668R0320

\* When ordering please specify the language



only for 120 VAC

The information in this publication is subject to technical changes.



**LAMTEC Meß- und Regeltechnik  
für Feuerungen GmbH & Co. KG**

Josef-Reiert-Straße 26

D-69190 Walldorf

Telefon: +49 (0) 6227 6052-0

Telefax: +49 (0) 6227 6052-57

[info@lamtec.de](mailto:info@lamtec.de)  
[www.lamtec.de](http://www.lamtec.de)

