

Technical Data BurnerTronic BT300

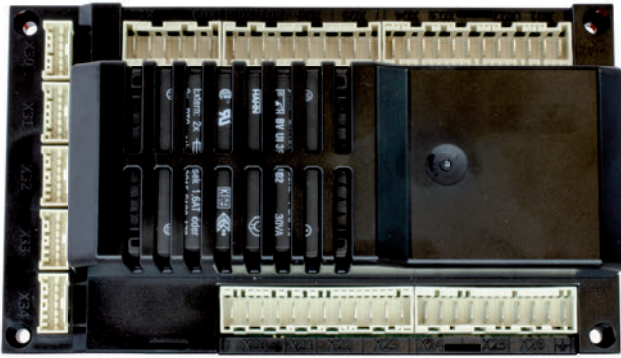


Fig. 1 BurnerTronic BT300

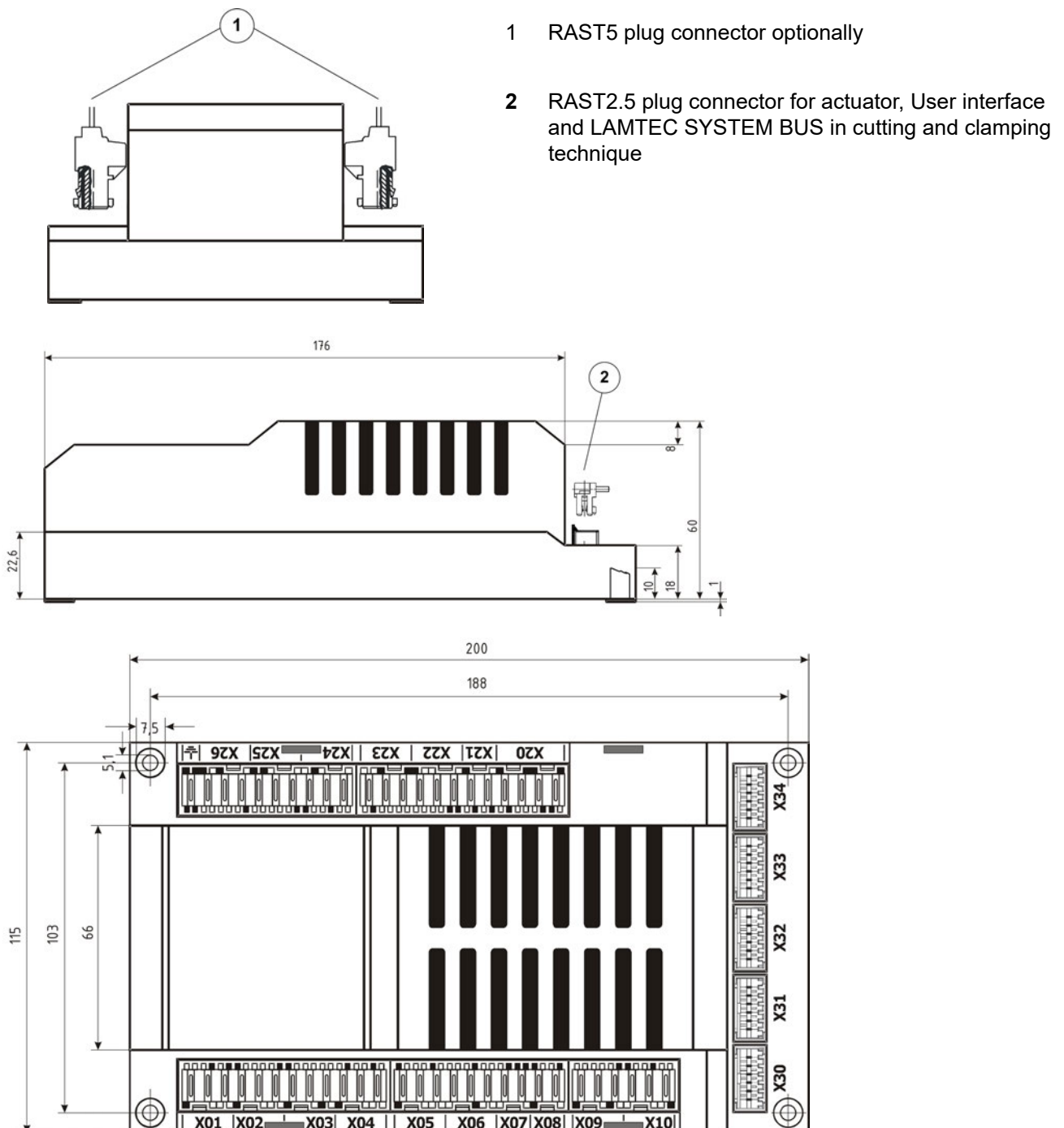


Fig. 2 Dimensions BT320 ... 341 (terminal assignment BT330/BT341 only)

Technical Data BurnerTronic BT300



Fig. 3 UI300-V2

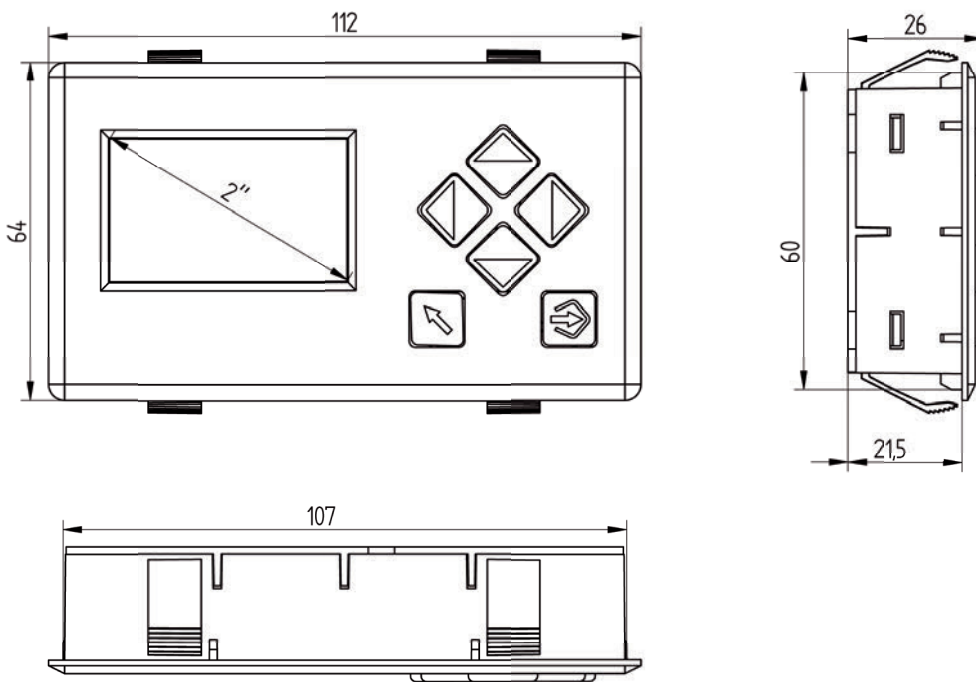


Fig. 4 UI300-V2 dimensional drawings

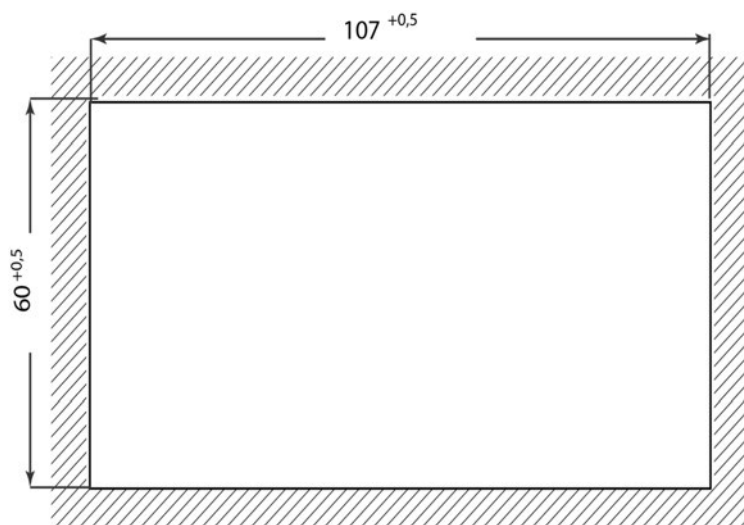


Fig. 5 UI300-V2 panel cut-out

Technical Data BurnerTronic BT300

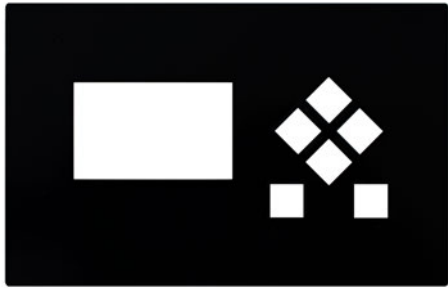


Fig. 6 Additional cover IP65 for the User Interface

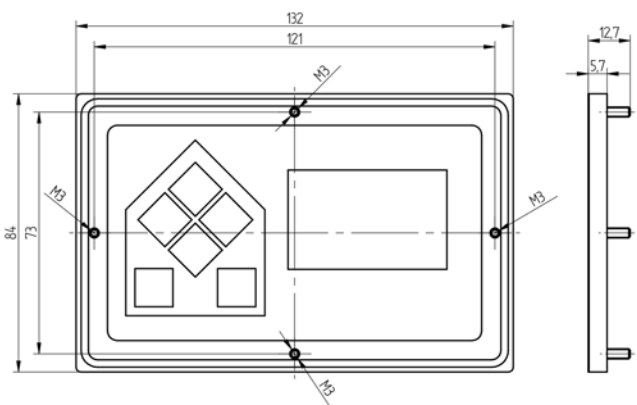
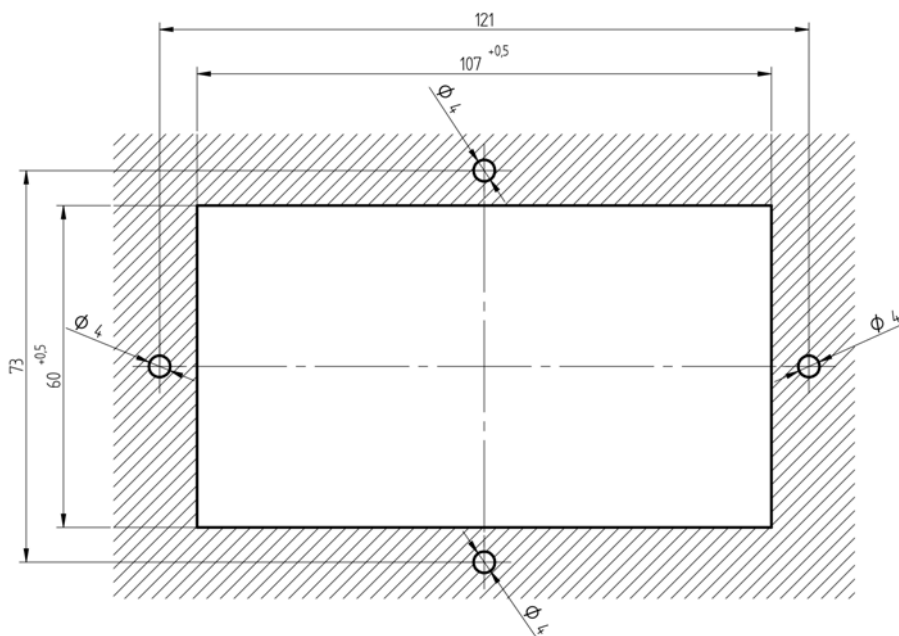


Fig. 7 Dimensional drawing for IP65



Create a square cut-out and ensure that the burrs are removed.

Height	60 mm 2.36 in
Width	107 mm 4.21 in

Fig. 8 Dimensional drawing panel cut-out including mounting bore for the IP65 cover

Technical Data BurnerTronic BT300

Function	
Power supply	230 V +10/-15 % 47-63 Hz 120 V +10/-15 % 47-63 Hz (on request)
Maximum backup-fuse	10 A slow-blow
	To be used only in a grounded power line network!
Power consumption	max. 30 VA
Switching threshold of ionisation current	1 μ A
Digital signal inputs	max. line length 10 m 33 ft max. line length 20 m 66 ft for the following signals: firing rate+ / firing rate- boiler safety interlock chain (SIC) burner ON reset el selection DFM
Digital outputs	3 fuel valves max. 1 A cos φ 0,4 VL fan max. 2 A cos φ 0,4 oil pump max. 2 A cos φ 0,4 ignition transformer max. 2 A cos φ 0,2 alarm output max. 1 A cos φ 0,3
Resolution	999 digit, 10 bit
Number of curve sets	BT320/330/331: 1 curve set (oil or gas) BT335: 2 curve sets (oil/gas switchable without DFM300) BT34x: 2 curve sets (oil/gas or gas/gas switchable; DFM300/ LCM100 required)
Number of programs	unlimited (EEPROM)
Field bus-coupling (optional)	PROFIBUS DP Modbus TCP PROFINET LEM100 or LCM100 always required
Housing	polycarbonate + ABS
Dimensions (H x W x D)	200 x 115 x 61 mm 7.87 x 4.53 x 2.4" in
Weight	1.0 kg 2.20 lb
Flammability	UL-94 V0

Display UI300-V2

Display	128 x 64 pixel, monochrome white backlighting (dimnable)
Dimensions (H x W x D)	112 x 64 x 24 mm 2.52 x 4.41 x 0.94" in
Weight	140 g 0.31 lb
Housing	basic housing: polyamide glass fibre reinforced LCD-display window: polycarbonate
Flammability	UL-94 V0
Cable length	1 m 3.28 ft

Technical Data BurnerTronic BT300

Display UI300-LSB

Display	128 x 64 pixel, monochrome white backlight (dimnable)
Dimensions (H x W x D)	64 x 112 x 26 mm 2.52 x 4.41 x 0.94" in
Weight	149 g
Power supply voltage	via LSB
Power consumption	1 W
Flammability	UL-94 V0
Cable length	2.5 m / 98.42" in

Operating conditions

Altitude above sea level

≤ 2000 m NHN	without restriction
2000 m < z ≤ 5000 m NHN	use possible with the following restrictions: <ul style="list-style-type: none"> – reduction of the maximum ambient temperature according to the diagram 'Temperature derating BT300 for operation >2000m NHN' ATTENTION: Temperatures DFM300 different (see graphic) – power supply 120 VAC – units for 230 VAC not approved for use > 2000 m

Technical Data IP65 Cover of the User Interface

Dimensions (H x W x D)	84 x 132 x 5,7 mm 3.3 x 5.2 x 0.22" in
Mounting	by studs M3 x 6 mm M3 x 0.24" in
Material	foiled aluminium cover with O-ring seal

Environmental Conditions

Operation	permissible temperature range	-20 ... +60 °C -4 ... +140 °F (condensation prohibited)	
	permissible ambient humidity	5 ... 95 % relative humidity	
Transport/Storage	permissible temperature range	-20 ... +70 °C -4 ... +158 °F (condensation prohibited)	
	permissible ambient humidity	5 ... 95 % relative humidity	
Degree of protection	DIN EN 60529	BT300	IP00 (housing)
			IP20 (terminals covered)
		UI300-V2 Front	IP40 (clamped)
			IP54 (glued) IP65 (with additional cover)
UI300-LSB	IP20 (if all terminals are occupied)		

Technical Data BurnerTronic BT300

EU Declaration of Conformity

2014/35/EU	Low Voltage Directive
2014/30/EU	EMC Directive
2014/68/EU	Pressure Equipment Directive Kat. 4 Mod. B+D
(EU) 2016/426	Gas Appliance Regulation (GAR)
2011/65/EU	RoHS

NOTICE

The limits of the technical data must be strictly adhered to.

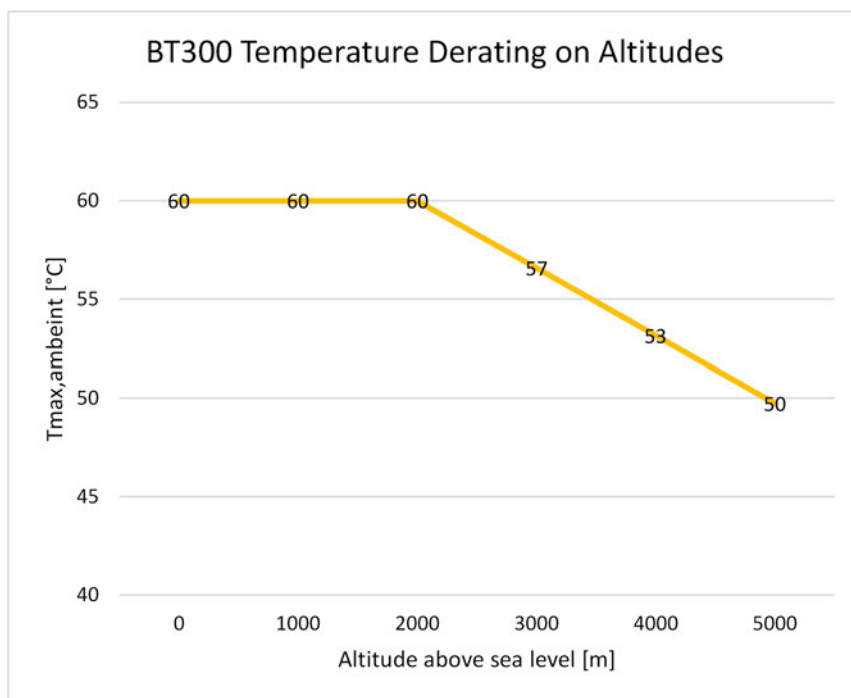


Fig. 9 Temperature derating BT300 for operation >2000 m NHN

Technical Data BurnerTronic BT300

Order Information

Description/Type	Order-No.
BT320 (up to 2 actuators, intermittent operation only, 230 VAC)	667R1320-1
BT330 (up to 3 actuators, permanent operation, 230 VAC)	667R1330-1
BT330 (up to 3 actuators, permanent operation, 120 VAC)	667R1331-1
BT331 (up to 3 actuators, permanent operation, 230 VAC, with SIL Confirmation)	667R1330-2
BT331 (up to 3 actuators, permanent operation, 120 VAC, with SIL Confirmation)	667R1331-2
BT335 (up to 3 actuators, permanent operation, for dual fuel burners without DFM, 230 VAC)	667R1335-1
BT335 (up to 3 actuators, permanent operation, for dual fuel burners without DFM, 115 VAC)	667R1335-2
BT340 (up to 3 actuators, permanent operation, 2 fuels, switchable, for dual fuel burners 230 VAC, in connection with DFM300)	667R1340-1
BT340 (up to 3 actuators, permanent operation, 2 fuels, switchable, for dual fuel burners 120 VAC, in connection with DFM300)	667R1341-1
BT341 (up to 3 actuators, permanent operation, 2 fuels, switchable, for dual fuel burners 230 VAC, in connection with DFM300 with SIL Confirmation)	667R1340-2
BT341 (up to 3 actuators, permanent operation, 2 fuels, switchable, for dual fuel burners 120 VAC, in connection with DFM300, with SIL Confirmation)	667R1341-2

Description/Type	Order-No.
Software: PC Remote Software for BT300, incl. LSB service adapter, USB/CAN module and connecting cable	667R0300-1
Plug: complete connector set for BT300, filament proof to IEC60335-1, unassembled, screw connection, connectable conductor cross-section max. 2,5 mm ² (13 AWG)	667R0900-2
User Interface: UI300-V2 - User Interface with graphic display, in panel installation housing „standard“, housing colour RAL7016 incl. connecting cable, IP40 (with LAMTEC Logo), cable length 1 m (3.3 ft)	667R0100-1
User Interface: UI300-LSB - User Interface with graphic display, in panel installation housing „standard“, housing colour RAL7016 incl. connecting cable, IP40 (with LAMTEC Logo), cable length 2.5 m (8.2 ft)	667R0120-1

Accessories	Order-No.
Additional cover IP65 for user interface incl. fixing screws	668R0320

Approvals



The information in this publication is subject to technical changes.

LAMTEC Meß- und Regeltechnik für Feuerungen GmbH & Co. KG

Josef-Reiert-Straße 26
D-69190 Walldorf
Telefon: +49 (0) 6227 6052-0
Telefax: +49 (0) 6227 6052-57

info@lamtec.de
www.lamtec.de

