

Technical Data AEC-VS

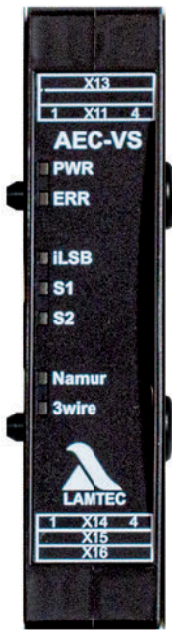


Fig. 1 AEC-VS photo

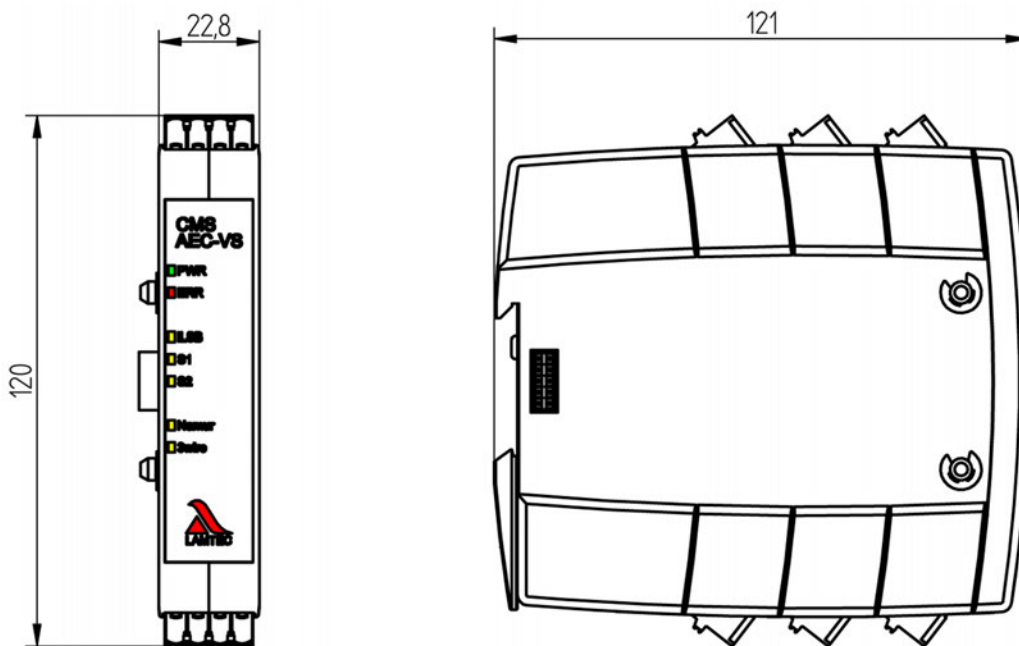


Fig. 2 AEC-VS dimensional drawing

Part number	
AEC-VS Actuator Extension Component - Variable Speed	Type 668R0230-XX*

* XX = depends on configuration

Technical Data AEC-VS

Technical Data AEC-VS

Dimensions (h x w x d)	120 x 22.8 x 121 mm / 4.72 x 0.90 x 4.76" in
Weight	0.160 kg / 0.35 lb
Power supply	24 VDC \pm 20 % (via plug-in connection from MCC)
Current consumption	min: 50 mA max: 60 mA
Power consumption	2 W
Flammability	UL94 V-0

Signal inputs

Namur Pulse input for connecting inductive sensors with Namur interface according to EN 60947-5-6	<p>sensor supply: 8.2 V, max. 8.2 mA</p> <p>conversion of the sensor recording into digital information:</p> <ul style="list-style-type: none"> – inactive: >2.1 mA \rightarrow digital signal ON – active/pulse: <1.2 mA \rightarrow digital signal OFF – hysteresis: \geq 0.5 mA <p>frequency range: 5 ... 9400 pulse/min. (0.25 ... 157 Hz)</p> <p>pulse length: min. 200 μs,</p> <p>cable length max. 200 m / 656.17 ft</p> <p>use shielded cable for cable lengths of 10 m / 32.81 ft or more</p>			
Pulse input 3-wire Pulse input for connecting inductive sensors with 3-wire interface	<p>sensor supply: 24 V</p> <p>conversion of the input voltage into digital information:</p> <ul style="list-style-type: none"> – inactive: 0 V \rightarrow digital signal OFF – active/pulse: 24 V \rightarrow digital signal ON – hysteresis: \geq $\frac{1}{4}$ U_{max} <p>frequency range: 5 ... 9400 pulses/min (0.25 ... 157 Hz)</p> <p>pulse length: min. 200 μs,</p> <p>cable length max. 200 m / 656.17 ft</p> <p>use shielded cable for cable lengths of 10 m / 32.81 ft or more</p>			
Analogue input 0/4 ... 20 mA for connecting speed transmitter 4 ... 20 mA or position detectors from servomotors with power interface 4 ... 20 mA.	<p>range: 0/4 ... 20 mA, load 150 Ω, accuracy \pm1 %</p> <p>over current limitation: approx. 25 ... 28 mA</p> <p>cable length max. 200 m / 656.17 ft</p> <p>use shielded cable for cable lengths of 10 m / 32.81 ft or more</p>			
Digital inputs (not failsafe)¹		24 VDC	120 VAC	230 ADC
	nomi- nal cur- rent	2.1 mA impedance 11 k Ω	2.1 mA impedance 75 k Ω	2.3 mA impedance 100 k Ω
	Due to the low inrush currents of the CMS, we recommend using appropriate contact material, e.g. gold-plated silver contacts or wiring the encoder contacts accordingly.			
	signal ON (min)	0.55 mA $\underline{\Delta}$ 6.9 VDC	0.97 mA $\underline{\Delta}$ 56 VAC	0.78 mA $\underline{\Delta}$ 77 VAC
	signal OFF (max)	0.27 mA $\underline{\Delta}$ 4 VDC	0.35 mA $\underline{\Delta}$ 21 VAC	0.35 mA $\underline{\Delta}$ 36 VAC
electrically safe separation between the input and electronics, floating				
cable length max. 200 m / 656.17 ft				

¹ Do not use for safety-relevant signals

Technical Data AEC-VS

Outputs							
Analogue output 0/4 ... 20 mA or 0/2 ... 10 V Current output 0/4 ... 20 mA Voltage output 0/2 ... 10 V	same setpoint for both outputs can be set via parameters accuracy $\pm 1.5\%$ use shielded connecting cable voltage ripple $\leq 50 \text{ mV}_{\text{pp}}$ max. current 10 mA short circuit proof accuracy $\pm 2\%$ of maximum value use shielded connecting cable						
Digital output	<table border="1"> <tr> <td>fuse protection</td> <td> resettable/electronic 4.1 A max. (voltage-dependent) not resettable 5 A fast-acting </td> </tr> <tr> <td colspan="2">electrically safe separation from SELV power supply voltage of the CMS system</td> </tr> <tr> <td colspan="2">cable length max. 200 m / 656.17 ft</td> </tr> </table>	fuse protection	resettable/electronic 4.1 A max. (voltage-dependent) not resettable 5 A fast-acting	electrically safe separation from SELV power supply voltage of the CMS system		cable length max. 200 m / 656.17 ft	
fuse protection	resettable/electronic 4.1 A max. (voltage-dependent) not resettable 5 A fast-acting						
electrically safe separation from SELV power supply voltage of the CMS system							
cable length max. 200 m / 656.17 ft							

Environmental Conditions		
Operation	Permitted temperature range	-30 ... +70 °C (condensation prohibited)
	Permitted humidity	5 % ... 95 % relative humidity
Transport/Storage	Permitted temperature range	-40 ... +80 °C (condensation prohibited)
	Permitted humidity	5 % ... 95 % relative humidity
Degree of protection	DIN EN 60529	IP20 (as long as all terminals are mounted)

EU Declaration of Conformity	
2014/35/EU	Low Voltage Directive
2014/30/EU	EMC Directive
2014/68/EU	Pressure Equipment Directive Kat. 4 Mod. B+D
(EU) 2016/426	Gas Appliance Regulation (GAR)
2011/65/EU	RoHS

NOTICE

The limits of the technical data must be strictly adhered to.

Technical Data AEC-VS

Order Information

Description/Type	Order no.
AEC-VS Actuator Extension Component - Variable Speed, power supply 24 VDC/1,5 W Module for controlling and monitoring frequency converters or actuators with 4 ... 20 mA input and 4 ... 20 mA feedback	668R0230...
A 10 – CONTROL VOLTAGE DIGITAL INPUT	Selection
120 VAC	120VAC
230 VAC	230VAC
24 VDC	24VDC
A 20 – CUSTOMER	Selection
STANDARD	S
A 30 – CUSTOMER	Selection
BLACK (STANDARD)	SW
A 40 – CONNECTOR SET	Selection
SCREW TERMINALS Connector set included	SC
SPRING TERMINALS Connector set included	FED
WITHOUT Connector set not included, must be ordered separately, see „Separate Connector Sets for AEC-VS“	0

Separate connector sets for AEC-VS

when attribute 40 „CONNECTOR SET“ = selection „0“

Description/Type	Order no.
Screw Terminals AEC-VS Control Voltage Digital Input 120/230 VAC	668R0081
Screw Terminals AEC-VS Control Voltage Digital Input 24 VDC	668R0082
Spring Terminals AEC-VS Control Voltage Digital Input 120/230 VAC	668R0091
Spring Terminals AEC-VS Control Voltage Digital Input 24 VDC	668R0092

Approvals



The information in this publication is subject to technical changes.

LAMTEC Meß- und Regeltechnik für Feuerungen GmbH & Co. KG

Josef-Reiert-Straße 26

D-69190 Walldorf

Telefon: +49 (0) 6227 6052-0

Telefax: +49 (0) 6227 6052-57

info@lamtec.de

www.lamtec.de

