

Technical Data Flow Control Butterfly Valve 662R23

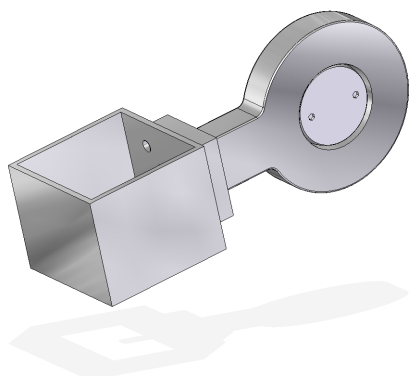


Fig. 1 Flow control butterfly valves with console

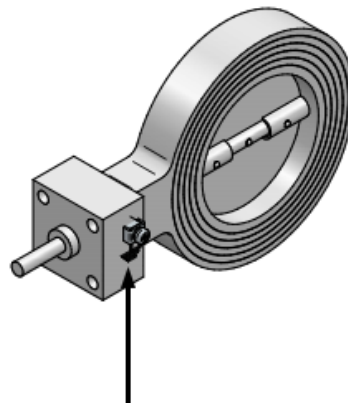


Fig. 2 Flow control butterfly valves with ground terminal for Ex application

Description	Actuator for control without zero flow, in the complete combustion technology	
Test specification	type approval according to 90/396/EWG Prod. ID. No. CE-0085-AR0408 DIN 3394-1 Class R _O DIN 3391 (for medium temperature of: -20 °C ... +60 °C / -4 °F ... +140 °F)	
Operating pressure	0 to 4 bar	
Type of control	for electrical actuators	
Mounting position	optional	
Design	butterfly disc without limit-stop	
Differential pressure delta P _{max.}	DN25-DN50 4 bar DN65-DN100 2 bar	
Leakage rate without stop bar	1 % of K _{VS} -value 90°	
Mounting	intermediate flange butterfly - clamp design	
Explosion protection	the control dampers are not covered by the directive 2014/34/EU, because with the loads occurring in practice, no effective ignition source occurs even in the event of a fault. The damper must be grounded.	
Environmental Conditions		
Operation	temperature range	-20 ... +60 °C / -4 ... 140 °F
Storage/ Transport	temperature range	-20 ... +60 °C / -4 ... 140 °F
Flow Control Butterfly Valve 662R23		
Housing material	grey cast iron	
Material control disk / shaft	stainless steel	
Shaft seal	NBR- O-ring	

NOTICE

The limits of the technical data must be strictly adhered to.

NOTICE

The Flow Control Butterfly Valves are not suitable for hydrogen or pure oxygen

Technical Data Flow Control Butterfly Valve 662R23

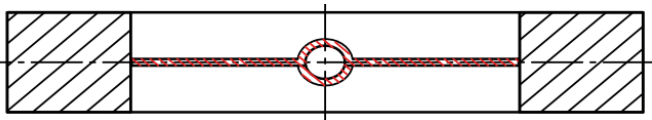


Fig. 3 Butterfly disc (non-linear flow rate)

Suitable pressure stages:	DN25 - DN80	PN10 - PN40, ANSI 300 lbs
	DN100	PN10 - PN40, ANSI 150 lbs, 300 lbs
	DN125 - DN150	PN10 - PN16, ANSI 150 lbs, 300 lbs
	DN200	PN10 - PN16, ANSI 150 lbs
	DN250	PN10, ANSI 150 lbs
	DN300	PN6 - PN10
	DN350 - DN400	PN6 - PN16

Technical Data Flow Control Butterfly Valve 662R23

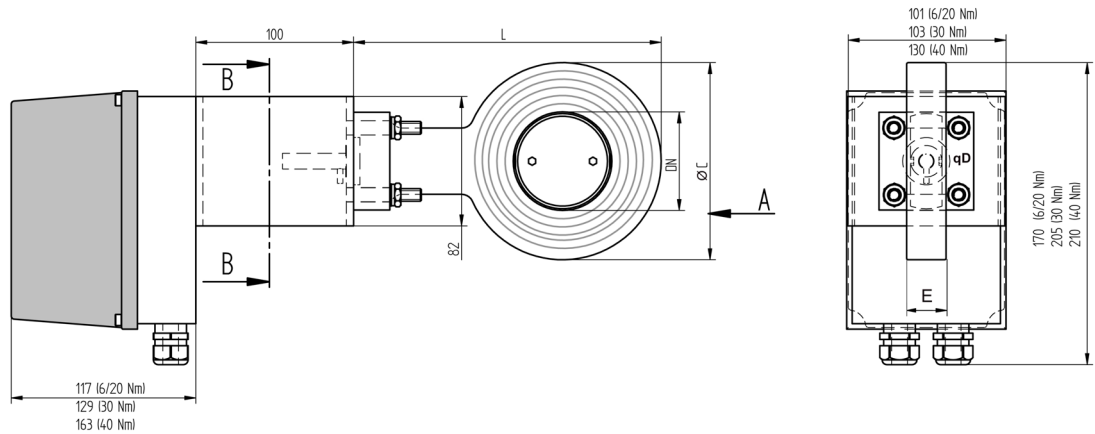


Fig. 4 Butterfly valve with console and coupling mounted on actuator controlled by ETAMATIC/FMS/VMS

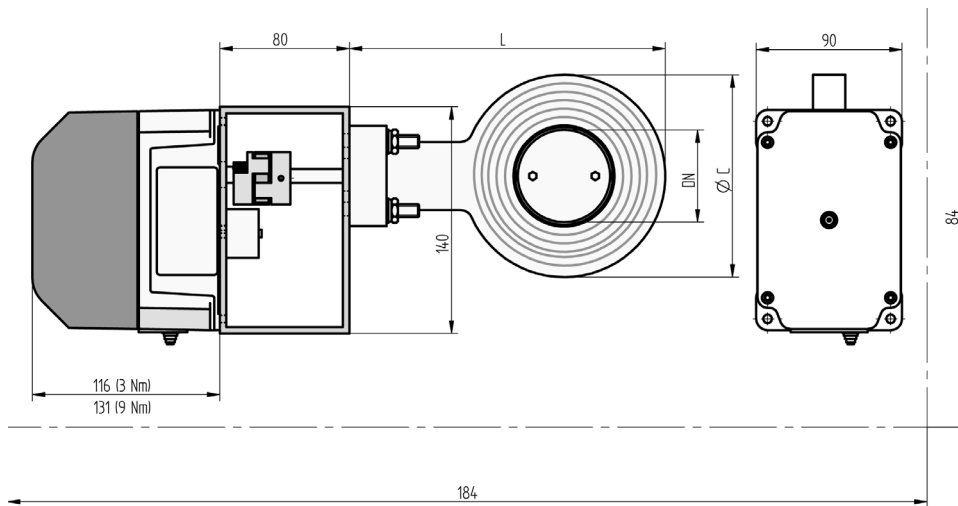


Fig. 5 Butterfly valve with console and coupling mounted on a motor controlled by BT300

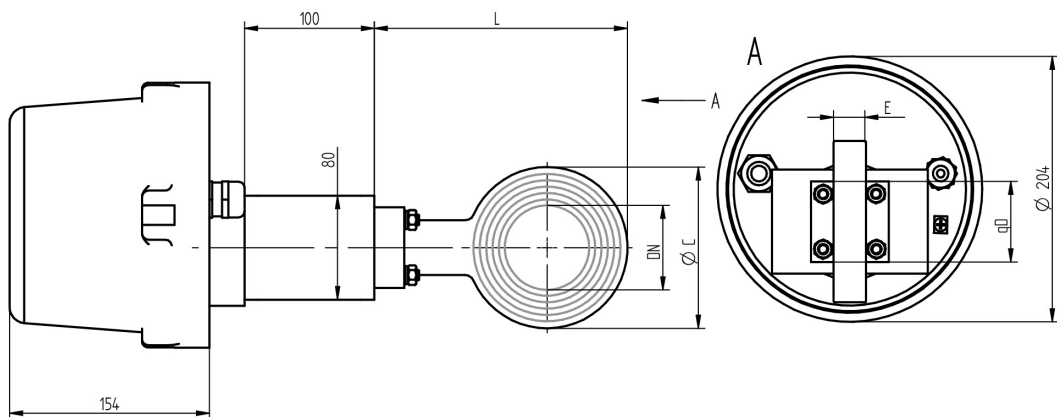


Fig. 6 Butterfly valve with console and coupling mounted on Ex-actuator controlled by ETAMATIC/FMS/VMS

Technical Data Flow Control Butterfly Valve 662R23

Non-linear type standard	DN	L	∅ C	q D	E	weight in kg
662R23V/025/000	25=32	153	70	60	25	2.2
662R23V/032/000	32	153	70	60	25	2.2
662R23V/040/000	40	166	90	60	25	2.5
662R23V/050/000	50	183	104	60	25	2.7
662R23V/065/000	65	195	124	60	25	3.1
662R23V/080/000	80	211	139	60	30	3.8
662R23V/100/000	100	231	161	60	30	4.4
662R23V/125/000	125	258	191	60	35	5.9
662R23V/150/000	150	283	214	60	35	6.3
662R23V/200/000	200	344	270	80	40	12.7
662R23V/250/000	250	394	320	80	40	13.7
662R23V/300/000	300	444	370	80	45	16.2
662R23V/350/000	350	523	428	80	45	27.7
662R23V/400/000	400	561	465	80	45	39

All mentioned nominal diameters are available with reduction!

Ordering example for reduction DN100 to DN80: 662R23V/100/080

Technical Data Flow Control Butterfly Valve 662R23

Order Information

**Gas butterfly valve, up to 60 °C / 140 °F, DVGW proofed, non-linear
– Configuration incl. console, coupling and assembly to Actuator ***

Description/Type	Order no.
Gas butterfly valve, DVGW proofed, incl. console and coupling, pre assembled as set, including:	662R23V...

Set position 1

Description/type	Order no.
Gas butterfly valve for clamping between flanges, permitted up to max. 60 °C / 140 °F, DVGW approved CE-0085AS0134, flow not linear, valve without stop bar, leakage appr. 1% of Kvs-value 90°, Operation pressure: max. 6 bar / 87.02 psi	662R23...

A10 "INTERNAL DIAMETER"			Selection
INTERNAL DIAMETER DN15	0 ... 4 bar, Δ P max. 4 bar 0 ... 58.02 psi, Δ P max. 58.02 psi	PN10 - PN40, ANSI 300 lbs	015
INTERNAL DIAMETER DN20	0 ... 4 bar, Δ P max. 4 bar 0 ... 58.02 psi, Δ P max. 58.02 psi	PN6 - PN40, ANSI 150 lbs, 300 lbs	020
INTERNAL DIAMETER DN25	0 ... 4 bar, Δ P max. 4 bar 0 ... 58.02 psi, Δ P max. 58.02 psi	PN10 - PN40, ANSI 300 lbs	025
INTERNAL DIAMETER DN32	0 ... 4 bar, Δ P max. 4 bar 0 ... 58.02 psi, Δ P max. 58.02 psi	PN6 - PN40, ANSI 150 lbs, 300 lbs	032
INTERNAL DIAMETER DN40	0 ... 4 bar, Δ P max. 4 bar 0 ... 58.02 psi, Δ P max. 58.02 psi	PN10 - PN40, ANSI 300 lbs	040
INTERNAL DIAMETER DN50	0 ... 4 bar, Δ P max. 4 bar 0 ... 58.02 psi, Δ P max. 58.02 psi	PN10 - PN40, ANSI 300 lbs	050
INTERNAL DIAMETER DN65	0 ... 4 bar, Δ P max. 2 bar 0 ... 58.02 psi, Δ P max. 29.01 psi	PN10 - PN40, ANSI 300 lbs	065
INTERNAL DIAMETER DN80	0 ... 4 bar, Δ P max. 2 bar 0 ... 58.02 psi, Δ P max. 29.01 psi	PN10 - PN40, ANSI 300 lbs	080
INTERNAL DIAMETER DN100	0 ... 4 bar, Δ P max. 2 bar 0 ... 58.02 psi, Δ P max. 29.01 psi	PN10 - PN40, ANSI 150 lbs, 300 lbs	100
INTERNAL DIAMETER DN125	0 ... 4 bar, Δ P max. 1 bar 0 ... 58.02 psi, Δ P max. 14.50 psi	PN10 – PN16, ANSI 150 lbs, 300 lbs	125
INTERNAL DIAMETER DN150	0 ... 4 bar, Δ P max. 1 bar 0 ... 58.02 psi, Δ P max. 14.50 psi	PN10 – PN16, ANSI 150 lbs, 300 lbs	150
INTERNAL DIAMETER DN200	0 ... 4 bar, Δ P max. 1 bar 0 ... 58.02 psi, Δ P max. 14.50 psi	PN10 – PN16, ANSI 150 lbs	200
INTERNAL DIAMETER DN250	0 ... 4 bar, Δ P max. 0.5 bar 0 ... 58.02 psi, Δ P max. 7.25 psi	PN10, ANSI 150 lbs	250
INTERNAL DIAMETER DN300	0 ... 4 bar, Δ P max. 0.3 bar 0 ... 58.02 psi, Δ P max. 4.35 psi	PN6 – PN10	300
INTERNAL DIAMETER DN350	0 ... 4 bar, Δ P max. 0.2 bar 0 ... 58.02 psi, Δ P max. 2.90 psi	PN10 – PN16	350
INTERNAL DIAMETER DN400	0 ... 4 bar, Δ P max. 0.15 bar 0 ... 58.02 psi, Δ P max. 2.18 psi	PN6 – PN16	400

A20 "REDUCTION"	Selection
WITHOUT REDUCTION	000
REDUCED TO SPECIFICATION BY CUSTOMER	—

A99 "SPECIAL CONFIGURATION"	Selection
SPECIFICATION BY CUSTOMER	—

Technical Data Flow Control Butterfly Valve 662R23

Set position 2

Description/type	Order no.
Assembling unit of the valve for actuator	Montage1...
A10 "MONTAGEAUFBAU"	
UP TO DN150, FOR ASSEMBLING TO MOTOR WITH SHAFT \varnothing d=10 mm / 0.39" in AND PARALLEL KEY 3 x 3 mm / 0.12 x 0.12" in **	11
UP TO DN150, FOR ASSEMBLING TO MOTOR WITH SHAFT \varnothing d=12 mm / 0.47" in AND PARALLEL KEY 4 x 4 mm / 0.16 x 0.16" in **	12
FROM DN200, FOR ASSEMBLING TO MOTOR WITH SHAFT \varnothing d=12 mm / 0.47" in AND PARALLEL KEY 4 x 4 mm / 0.16 x 0.16" in **	21
FROM DN200, FOR ASSEMBLING TO MOTOR WITH SHAFT \varnothing d=20 mm / 0.79" in AND PARALLEL KEY 6 x 6 mm / 0.24 x 0.24" in **	22
UP FROM DN200, FOR ASSEMBLING TO MOTOR WITH SHAFT \varnothing =12 mm / 0.47" in AND PARALLEL KEY 4x4 mm / 0.16 x 0.16" in INCL. THERMAL INSULATION ** (if fluegas temperature >100 °C / >212 °F)	25
UP FROM DN200, FOR ASSEMBLING TO MOTOR WITH SHAFT \varnothing =20 mm / 0.79" in AND PARALLEL KEY 6 x 6 mm / 0.24 x 0.24" in INCL. THERMAL INSULATION ** (if fluegas temperature >100 °C / >212 °F)	26
FOR ASSEMBLING TO EX-MOTOR ***	3
FOR ASSEMBLING TO BT-MOTOR ****	4

- * Actuator must be ordered separately, following information are indicative at a difference pressure of 0.1 bar / 1.45 psi:
- | | | | | | |
|----------------|---------|-------------------------|-----------------|---------|-------------------------|
| DN25 ... DN125 | → 6 Nm | type 662R2127, 668M2006 | DN150 ... DN250 | → 20 Nm | type 662R2111, 668M2020 |
| DN300 | → 30 Nm | type 662R2112, 668M2040 | DN350 | → 40 Nm | type 662R2121, 668M2040 |
- ** Assembly unit for actuator type 662R2111 ... 662R2127/668M2006 ... 668M2040
- *** Assembly unit for actuator type 662R2140/662R2141
- **** Assembly unit for actuator type 662R500X-0



The information in this publication is subject to technical changes.

LAMTEC Meß- und Regeltechnik für Feuerungen GmbH & Co. KG

Josef-Reiert-Straße 26
D-69190 Walldorf
Telefon: +49 (0) 6227 6052-0
Telefax: +49 (0) 6227 6052-57

info@lamtec.de
www.lamtec.de

