

Technical Data Flow Control Butterfly Valve 662R25, Special Butterfly Disc

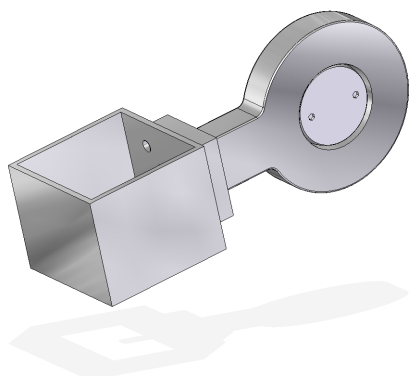


Fig. 1 Flow control butterfly valves with console

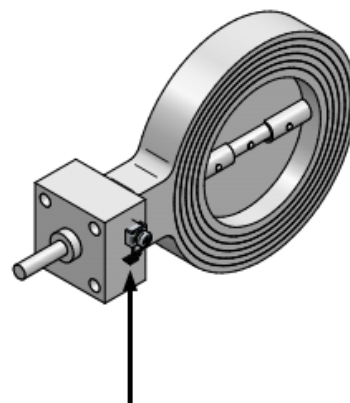


Fig. 2 Flow control butterfly valves with ground terminal for Ex application

Description	Actuator for control without zero flow, in the complete combustion technology
Test specification	type approval according to 90/396/EWG Prod. ID. No. CE-0085-AR0408 DIN 3394-1 Class R _O DIN 3391 (for medium temperature of: -20 °C ... +60 °C / -4 °F ... +140 °F)
Operating pressure	0 to 4 bar
Type of control	for electrical actuators
Mounting position	optional
Design	butterfly disc without limit-stop
Differential pressure delta P _{max.}	DN25-DN50 4 bar DN65-DN100 2 bar
Leakage rate without stop bar	1 % of K _{VS} -value 90°
Mounting	intermediate flange butterfly - clamp design
Explosion protection	the control dampers are not covered by the directive 2014/34/EU, because with the loads occurring in practice, no effective ignition source occurs even in the event of a fault. The damper must be grounded.

Environmental Conditions

Operation	temperature range	-20 ... +60 °C / -4 ... 140 °F
Storage/ Transport	temperature range	-20 ... +60 °C / -4 ... 140 °F

Flow Control Butterfly Valve 662R25

Housing material	grey cast iron
Material control disk / shaft	aluminium / stainless steel
Shaft seal	NBR- O-Ring

NOTICE

The limits of the technical data must be strictly adhered to.

Technical Data Flow Control Butterfly Valve 662R25, Special Butterfly Disc

NOTICE

The Flow Control Butterfly Valves are not suitable for hydrogen or pure oxygen

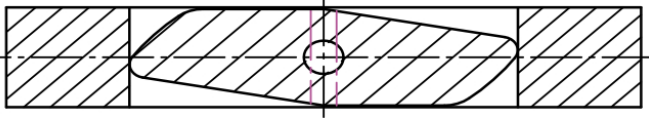


Fig. 3 Special butterfly disc (linear flow rate)

Suitable pressure stages:	DN25 - DN80	PN10 - PN40, ANSI 300 lbs
	DN100	PN10 - PN40, ANSI 150 lbs, 300 lbs
	DN125 - DN150	PN10 - PN16, ANSI 150 lbs, 300 lbs
	DN200	PN10 - PN16, ANSI 150 lbs
	DN250	PN10, ANSI 150 lbs
	DN300	PN6 - PN10
	DN350 - DN400	PN6 - PN16

Technical Data Flow Control Butterfly Valve 662R25, Special Butterfly Disc

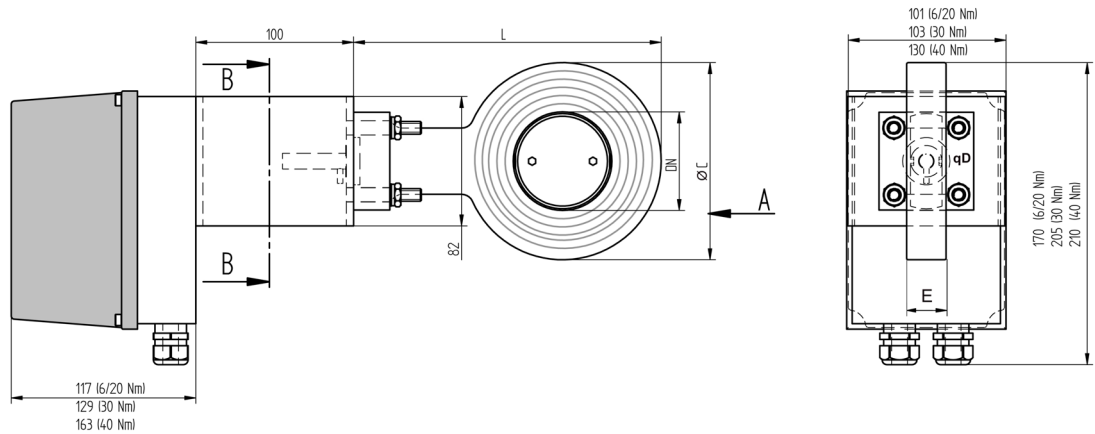


Fig. 4 Butterfly valve with console and coupling mounted on actuator controlled by ETAMATIC/FMS/VMS

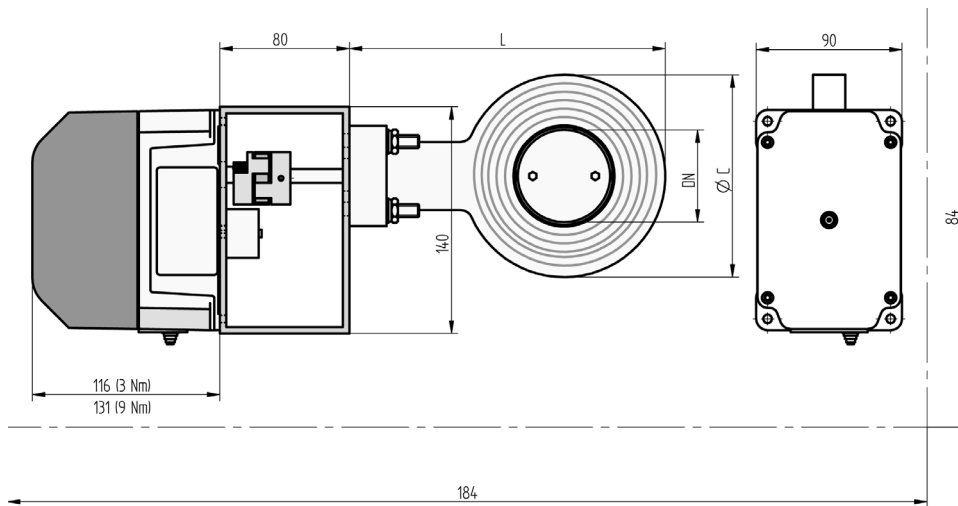


Fig. 5 Butterfly valve with console and coupling mounted on a motor controlled by BT300

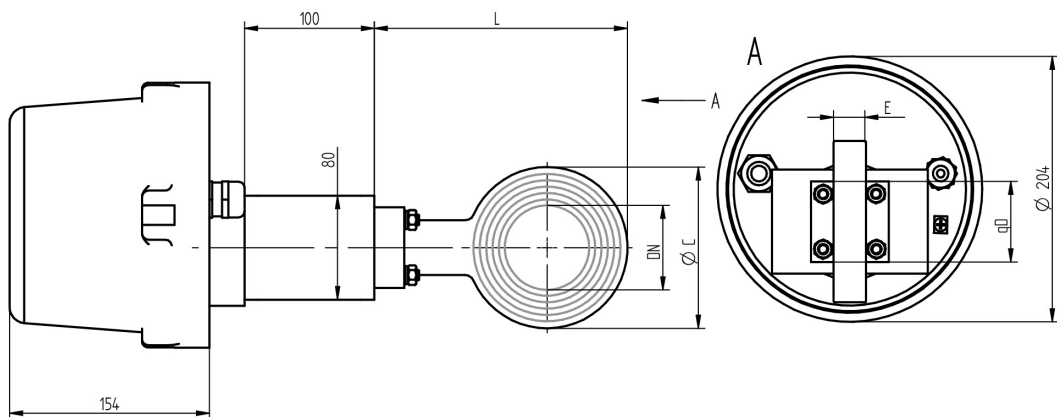


Fig. 6 Butterfly valve with console and coupling mounted on Ex-actuator controlled by ETAMATIC/FMS/VMS

Technical Data Flow Control Butterfly Valve 662R25, Special Butterfly Disc

Linear type special butterfly disc	DN	L	∅ C	q D	E	weight in kg
662R25V/040/000	40	166	90	60	25	3
662R25V/050/000	50	183	104	60	25	3.2
662R25V/065/000	65	195	124	60	25	3.6
662R25V/080/000	80	211	139	60	30	4.3
662R25V/100/000	100	231	161	60	30	4.9
662R25V/125/000	125	258	191	60	35	6.4
662R25V/150/000	150	283	214	60	35	7.3
662R25V/200/000	200	344	270	80	40	13.7
662R25V/250/000	250	394	320	80	40	14.7
662R25V/300/000	300	444	370	80	45	16.2
662R25V/350/000	350	523	428	80	45	29.2
662R25V/400/000	400	561	465	80	45	40.5

Technical Data Flow Control Butterfly Valve 662R25, Special Butterfly Disc

Order Information

Gas butterfly valve, up to 60 °C / 140 °F, DVGW proofed, linear
 – Configuration incl. console, coupling and assembly to Actuator *

Description/Type	Order no.
Gas butterfly valve, DVGW proofed, incl. console and coupling, pre assembled as set, including:	662R25V...

Set position 1 Gas control valve

Description/Type	Order no.
Gas butterfly valve for clamping between flanges, permitted up to max. 60 °C / 140 °F, DVGW approved CE-0085AS0134, flow linear, valve without stop bar, leakage appr. 1 % of Kvs-value 90°, Operation pressure: max. 6 bar	662R25...

A10 "INTERNAL DIAMETER"			Selection
INTERNAL DIAMETER DN40	0 ... 4 bar, Δ P max. 4 bar 0 ... 58.02 psi, Δ P max. 58.02 psi	PN10 - PN40, ANSI 300 lbs	040
INTERNAL DIAMETER DN50	0 ... 4 bar, Δ P max. 4 bar 0 ... 58.02 psi, Δ P max. 58.02 psi	PN10 - PN40, ANSI 300 lbs	050
INTERNAL DIAMETER DN65	0 ... 4 bar, Δ P max. 2 bar 0 ... 58.02 psi, Δ P max. 29.01 psi	PN10 - PN40, ANSI 300 lbs	065
INTERNAL DIAMETER DN80	0 ... 4 bar, Δ P max. 2 bar 0 ... 58.02 psi, Δ P max. 29.01 psi	PN10 - PN40, ANSI 300 lbs	080
INTERNAL DIAMETER DN100	0 ... 4 bar, Δ P max. 2 bar 0 ... 58.02 psi, Δ P max. 29.01 psi	PN10 - PN40, ANSI 150 lbs, 300 lbs	100
INTERNAL DIAMETER DN125	0 ... 4 bar, Δ P max. 1 bar 0 ... 58.02 psi, Δ P max. 14.50 psi	PN10 – PN16, ANSI 150 lbs, 300 lbs	125
INTERNAL DIAMETER DN150	0 ... 4 bar, Δ P max. 1 bar 0 ... 58.02 psi, Δ P max. 14.50 psi	PN10 – PN16, ANSI 150 lbs, 300 lbs	150
INTERNAL DIAMETER DN200	0 ... 4 bar, Δ P max. 1 bar 0 ... 58.02 psi, Δ P max. 14.50 psi	PN10 – PN16, ANSI 150 lbs	200
INTERNAL DIAMETER DN250	0 ... 4 bar, Δ P max. 0.5 bar 0 ... 58.02 psi, Δ P max. 7.25 psi	PN10, ANSI 150 lbs	250
INTERNAL DIAMETER DN300	0 ... 4 bar, Δ P max. 0.3 bar 0 ... 58.02 psi, Δ P max. 4.35 psi	PN6 – PN10	300
INTERNAL DIAMETER DN350	0...4 bar, Δ P max. 0.2 bar 0 ... 58.02 psi, Δ P max. 2.90 psi	PN10 – PN16	350

A20 "REDUCTION"	Selection
WITHOUT REDUCTION	000
REDUCED TO SPECIFICATION BY CUSTOMER	—

A99 "SPECIAL CONFIGURATION"	Selection
SPECIFICATION BY CUSTOMER	—

Technical Data Flow Control Butterfly Valve 662R25, Special Butterfly Disc

Set position 2

Description/Type	Order no.
Assembling unit of the valve for actuator	Montage1...
A10 "ASSEMBLY UNIT"	Selection
UP TO DN150, FOR ASSEMBLING TO MOTOR WITH SHAFT \varnothing d=10 mm / 0.39" in AND PARALLEL KEY 3 x 3 mm / 0.12 x 0.12" in **	011
UP TO DN150, FOR ASSEMBLING TO MOTOR WITH SHAFT \varnothing d=12 mm / 0.47" in AND PARALLEL KEY 4 x 4 mm / 0.16 x 0.16" in **	012
FROM DN200, FOR ASSEMBLING TO MOTOR WITH SHAFT \varnothing d=12 mm / 0.47" in AND PARALLEL KEY 4 x 4 mm / 0.16 x 0.16" in **	021
FROM DN200, FOR ASSEMBLING TO MOTOR WITH SHAFT \varnothing d=20 mm / 0.79" in AND PARALLEL KEY 6 x 6 mm / 0.24 x 0.24" in **	022
UP FROM DN200, FOR ASSEMBLING TO MOTOR WITH SHAFT \varnothing =12 mm / 0.47" in AND PARALLEL KEY 4x4 mm / 0.16 x 0.16" in INCL. THERMAL INSULATION ** (if fluegas temperature >100 °C / >212 °F)	025
UP FROM DN200, FOR ASSEMBLING TO MOTOR WITH SHAFT \varnothing =20 mm / 0.79" in AND PARALLEL KEY 6 x 6 mm / 0.24 x 0.24" in INCL. THERMAL INSULATION ** (if fluegas temperature >100 °C / >212 °F)	026
FOR ASSEMBLING TO EX-MOTOR ***	3
FOR ASSEMBLING TO BT-MOTOR ****	4

* Actuator must be ordered separately, following information are indicative at a difference pressure of 0.1 bar:

DN25 ... DN125 → 6 Nm type 662R2127, 668M2006	DN150 ... DN250 → 20 Nm type 662R2111, 668M2020
DN300 → 30 Nm type 662R2112, 668M2040	DN350 → 40 Nm type 662R2121, 668M2040

** Assembly unit for actuator type 662R2111 ... 662R2127/668M2006 ... 668M2040

*** Assembly unit for actuator type 662R2140/662R2141

**** Assembly unit for actuator type 662R500X-0



The information in this publication is subject to technical changes.

**LAMTEC Meß- und Regeltechnik
für Feuerungen GmbH & Co. KG**

Josef-Reiert-Straße 26

D-69190 Walldorf

Telefon: +49 (0) 6227 6052-0

Telefax: +49 (0) 6227 6052-57

info@lamtec.de
www.lamtec.de

