

Technical Data BurnerControl BC300



Fig. 1 BurnerControl BC300

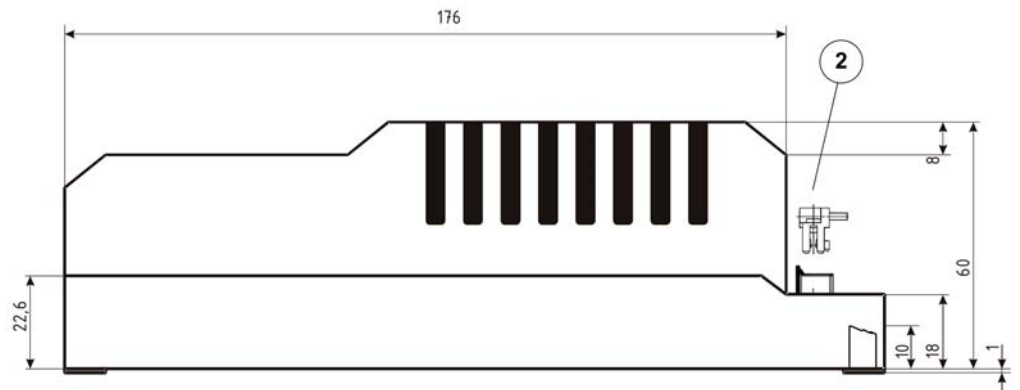
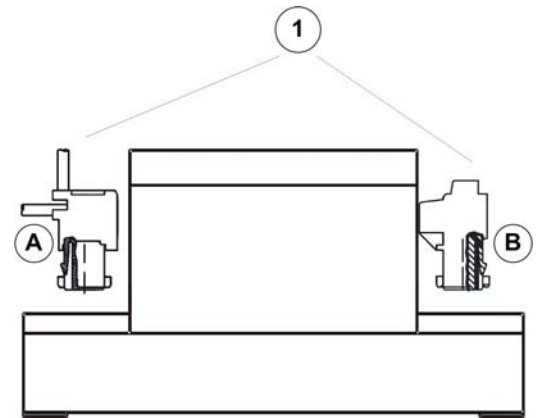


Fig. 2 User Interface UI300

- 1 RAST5 plug-in connection either
 - A insulation displacement technology (SKT)*
 - B Screw terminals *
- 2 RAST2.5 plug-in connection for User Interface and LAMTEC SYSTEM BUS in insulation displacement technology



* Observe the plug-in direction



Technical Data BurnerControl BC300

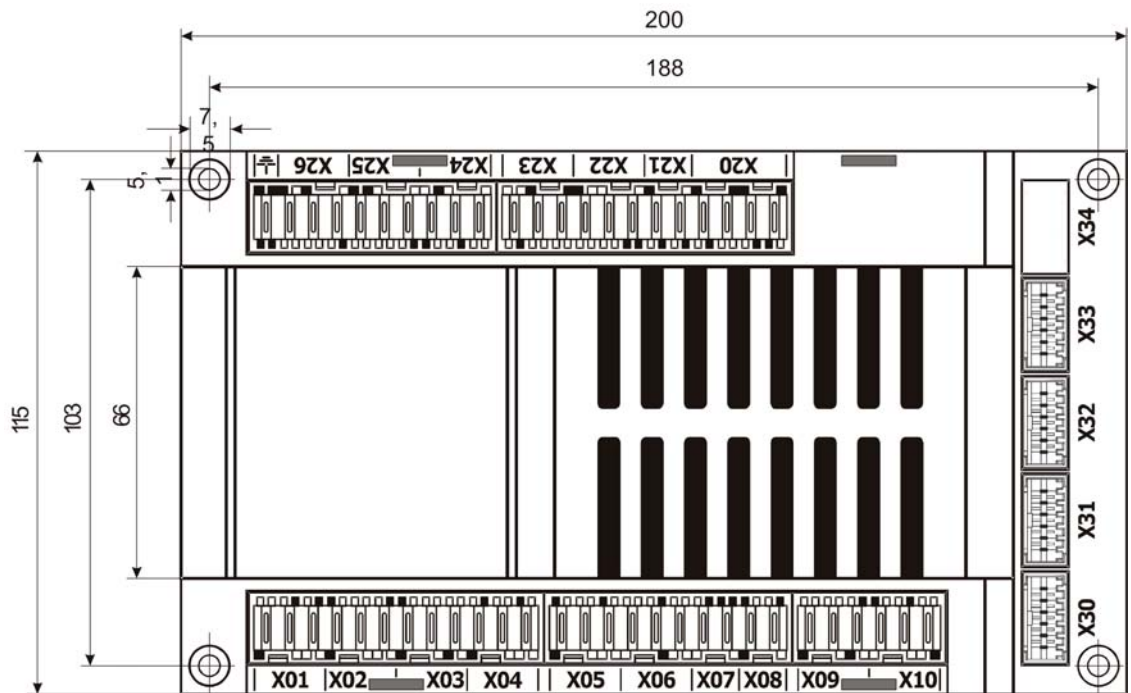


Fig. 3 Dimensional drawings for BC300

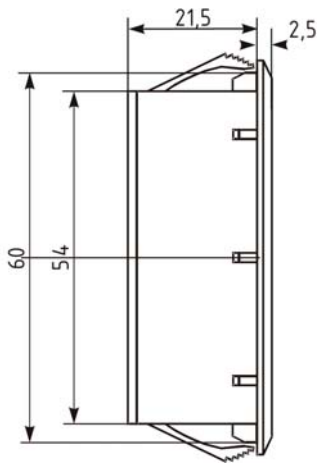


Fig. 4 UI300 side view

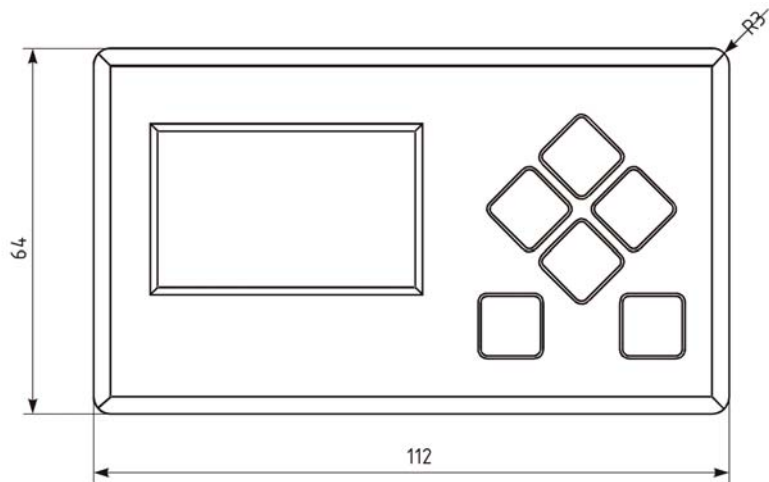


Fig. 5 UI300 front view

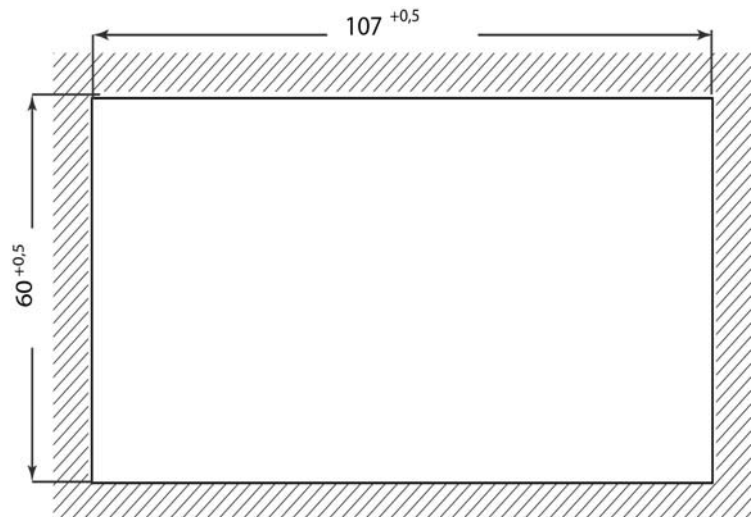


Fig. 6 UI300 panel cut-out

Technical Data BurnerControl BC300

Function	
Power supply	230 V +10/-15 % 47-63 Hz 115 V +10/-15 % 47-63 Hz (on request)
Maximum pre-fuse	10 A slow-blow
	To be used in a grounded power line network only!
Power consumption	max. 30 VA
Ionisation current switching threshold	1 μ A
Digital inputs	Max. cable length 70 m / 230 ft
Digital outputs	2 fuel valves max. 1 A cos φ 0.4 Relay for single electrode operation max. 1 A cos φ 0.4 Combustion air valve max. 2 A cos φ 0.4 Operating mode indication max. 2 A cos φ 0.4 Spark igniter max. 2 A cos φ 0.2 Alarm output max. 1 A cos φ 0.3
Number of programming operations	unlimited (EEPROM)
Fieldbus coupling (optional)	PROFINET
Housing	Polycarbonate + ABS
Dimensions (H x W x D)	200 x 115 x 61 mm / 7.87" x 4.53" x 2.40" in
Weight	1.0 kg / 2.2 lb
Flammability	UL-94 V0 (panel: UL-94 V2)
Display UI300	
Display	128 x 64 Pixels, monochrome White background lighting (dimnable)
Dimensions (H x W x D)	112 x 64 x 24mm / 4.41" x 2.52" x 0.94" in
Weight	140 g / 0.31 lb
Housing	Basic housing unit: Polyamide (glass fibre-reinforced) LCD display window: Polycarbonate
Flammability	Basic housing UL-94 V0 LCD inspection window UL-94 V2
Cable length	1 m / 3.3 ft

Technical Data BurnerControl BC300

Environmental conditions

Operation	Climatic condition	Class 3K5 according to DIN EN 60721-3	
	Mechanical condition	Class 3M5 according to DIN EN 60721-3	
	Temperature range	-20 ... +60 °C / -4 ... +140 °F (non-condensing)	
Transport	Climatic condition	Class 2K3 according to DIN EN 60721-3	
	Mechanical condition	Class 2M2 according to DIN EN 60721-3	
	Temperature range	-20 ... +70 °C / -4 ... +158 °F (non-condensing)	
Storage	Climatic condition	Class 1K3 according to DIN EN 60721-3	
	Mechanical condition	Class 1M2 according to DIN EN 60721-3	
	Temperature range	-20 ... +70 °C / -4 ... +158 °F (non-condensing)	
Electronic safety	Degree of protection according to DIN EN60529	BC300:	IP00 (housing)
			IP20 (terminals uncovered)
		UI300:	IP40 (clamped)
			IP54 (adhered)

NOTICE

The limits of the technical data must be strictly adhered to.

Technical Data BurnerControl BC300

Order Information

Description / Type	Order-no.
BurnerControl BC300, 230 VAC, burner sequencer for furnace applications	667R1420-1
Accessories	Order-no.
Software: PC Remote Software for BT300, BC300, LT3, LT3-F incl. LSB service adapter, USB/CAN module and connecting cable	667R0300-1
User Interface: UI300 - User Interface for BC300 in panel installation housing "standard version" housing colour RAL7016, degree of protection IP42 (with LAMTEC logo), incl. connecting cable, cable length 1 m	667R0140-1
Connector set: complete connector set for BT300/BC300, screw connection, connectable cable cross-section max. 2,5 mm ² / 13 AWG	667R0900-1
Fieldbus module: EBM112, PROFINET 2 Ports	667R0740-1



The information in this publication is subject to technical changes.



**LAMTEC Meß- und Regeltechnik
für Feuerungen GmbH & Co. KG**

Wiesenstraße 6
D-69190 Walldorf
Telefon: +49 (0) 6227 6052-0
Telefax: +49 (0) 6227 6052-57

info@lamtec.de
www.lamtec.de

