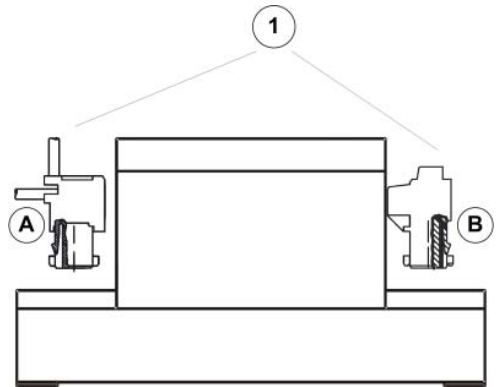


Technical Data BurnerTronic BT300



Fig. 1-1 BurnerTronic BT300

- 1 RAST5 plug connector optionally
 - A cutting and clamping technique (SKT) *
 - B screw terminals *
- 2 RAST2.5 plug connector for actuator, User interface and LAMTEC SYSTEM BUS in cutting and clamping technique



* please note plug-in direction

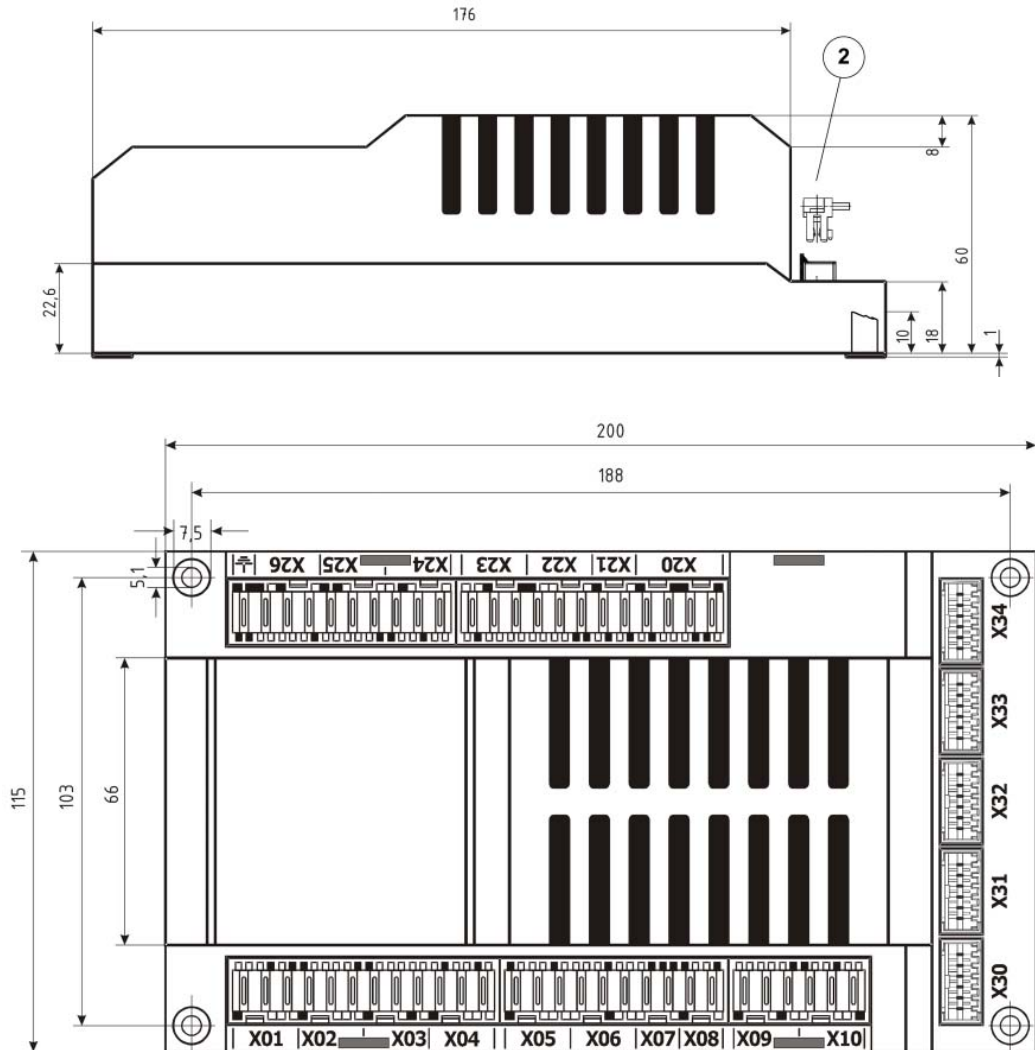


Fig. 1-2 Dimensions BT320 ... 340 (terminal assignment BT300/BT340 only)

Technical Data BurnerTronic BT300



Fig. 1-3 User Interface UI300

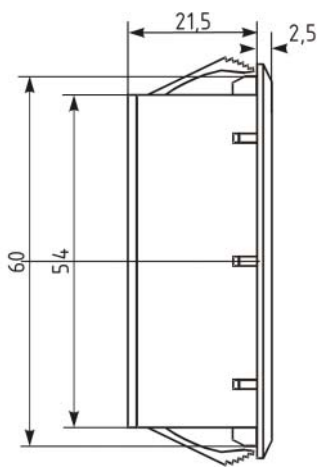


Fig. 1-4 UI300 side view

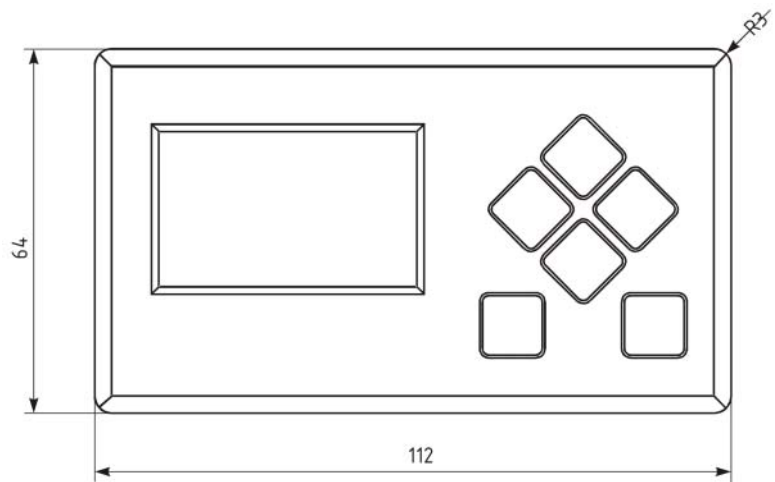


Fig. 1-5 UI300 front view

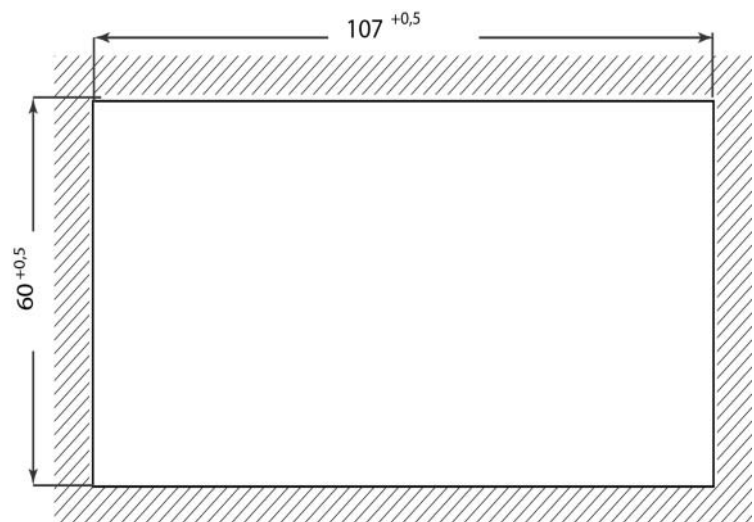


Fig. 1-6 UI300 panel cut-out

Technical Data BurnerTronic BT300

Function	
Power supply:	230 V +10/-15 % 47-63 Hz 115 V +10/-15 % 47-63 Hz (on request)
Maximum backup-fuse:	10 A slow-blow
	To be used only in a grounded power line network!
Power consumption:	max. 30 VA
Switching threshold of ionisation current:	1 μ A
Digital signal inputs:	Max. line length 10 m/33 ft Max. line length 20 m/66 ft for the following signals: Firing rate+ / firing rate- Boiler safety interlock chain (SIC) Burner ON Reset Alarm Fuel selection DFM
Digital outputs:	3 fuel valves max. 1 A cos φ 0,4 VL fan max. 2 A cos φ 0,4 oil pump max. 2 A cos φ 0,4 ignition transformer max. 2 A cos φ 0,2 alarm output max. 1 A cos φ 0,3
Resolution:	999 digit, 10 bit
Number of curve sets:	BT320/33x: 1 curve set (oil or gas) BT34x: 2 curve sets (oil/gas switchable; DFM300 or LCM100 required)
Number of programs:	unlimited (EEPROM)
Field bus-coupling (optional):	PROFIBUS DP Modbus TCP or LEM100, LCM100 always required
Housing:	Polycarbonate + ABS
Dimensions:	200x115x61 mm/7.87"x4.53"x2.4" in
Weight:	1,0 kg/2.20 lb
Flammability:	UL-94 V0 (panel: UL-94 V2)

Display	
Display:	128x64 pixel, monochrome White backlighting (dimnable)
Dimensions:	112x64x24 mm/4.41"x2.52"x0.94" in
Weight:	140 g/0.31 lb
Housing:	Basic housing: Polyamide glass fibre reinforced LCD-display window: Polycarbonate
Flammability:	Basic housing UL-94 V0 LCD-display window UL-94 V2

Technical Data BurnerTronic BT300

Environmental Conditions

Operation:	Climatic conditions	Class 3K5 according to DIN EN 60721-3
	Mechanic conditions	Class 3M5 according to DIN EN 60721-3
	Temperature range	-20 ... +60 °C/-4 °F ... +140 °F (condensation is prohibited)
Transport:	Climatic conditions	Class 2K3 according to DIN EN 60721-3
	Mechanic conditions	Class 2M2 according to DIN EN 60721-3
	Temperature range	-20 ... +70 °C/-4 °F ... +158 °F (condensation is prohibited)
Storage:	Climatic conditions	Class 1K3 according to DIN EN 60721-3
	Mechanic conditions	Class 1M2 according to DIN EN 60721-3
	Temperature range	-20 ... +70 °C/-4 °F ... +158 °F (condensation is prohibited)
Electronic safety:	Degree of protection (DIN EN 60529):	BT300 – IP40 housing IP20 terminals UI300 – IP40 (clamping) IP54 (glued assembly)

Order Information

Description / Type	Order-No.
BT320 (up to 2 actuators, intermittent operation only, 230 VAC)	667R1320-1
BT320 (up to 2 actuators, intermittent operation only, 115 VAC)	667R1321-1
BT330 (up to 3 actuators, permanent operation, 230 VAC)	667R1330-1
BT330 (up to 3 actuators, permanent operation, 115 VAC)	667R1331-1
BT331 (up to 3 actuators, permanent operation, 230 VAC, with SIL Confirmation)	667R1330-2
BT331 (up to 3 actuators, permanent operation, 115 VAC, with SIL Confirmation)	667R1331-2
BT340 (up to 3 actuators, permanent operation, 2 fuels, switchable, for dual fuel burners 230 VAC, in connection with DFM300)	667R1340-1
BT340 (up to 3 actuators, permanent operation, 2 fuels, switchable, for dual fuel burners 115 VAC, in connection with DFM300)	667R1341-1
BT341 (up to 3 actuators, permanent operation, 2 fuels, switchable, for dual fuel burners 230 VAC, in connection with DFM300 with SIL Confirmation)	667R1340-2
BT341 (up to 3 actuators, permanent operation, 2 fuels, switchable, for dual fuel burners 115 VAC, in connection with DFM300, with SIL Confirmation)	667R1341-2

Description / Type	Order-No.
Software: PC Remote Software for BT300, incl. LSB service adapter, USB/CAN module and connecting cable	667R0300-1
Plug: complete connector set for BT300, filament proof to IEC60335-1, unasssembled, screw connection, connectable conductor cross-section max. 2,5 mm ² /13 AWG	667R0900-2
User Interface: UI300 - User Interface with graphic display, in panel installation housing "standard" housing colour RAL7016 incl. connecting cable, IP41 (with LAMTEC Logo)	667R0100-1

Approvals



The information in this publication is subject to technical changes.

**LAMTEC Meß- und Regeltechnik
für Feuerungen GmbH & Co. KG**

Wiesenstraße 6
D-69190 Walldorf
Telefon: +49 (0) 6227 6052-0
Telefax: +49 (0) 6227 6052-57

info@lamtec.de
www.lamtec.de

