

Technical Data GUI607

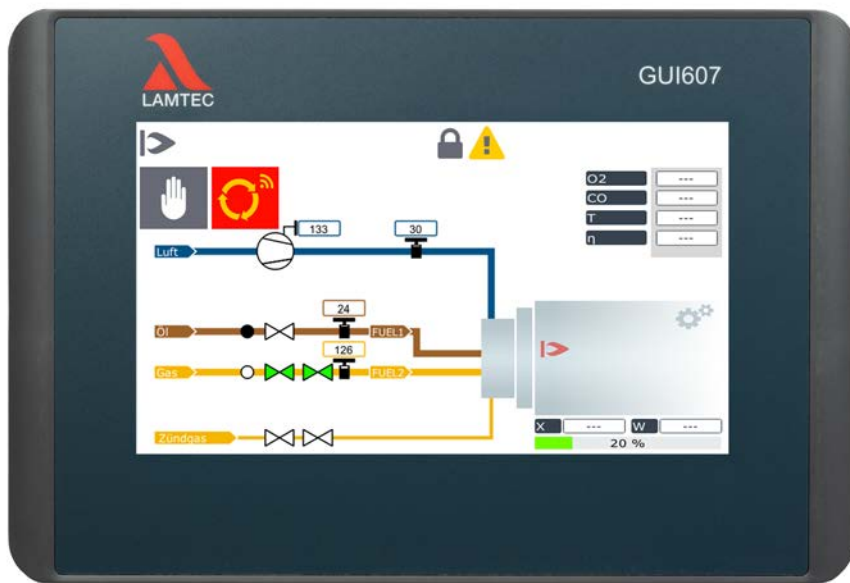


Fig. 1 GUI607

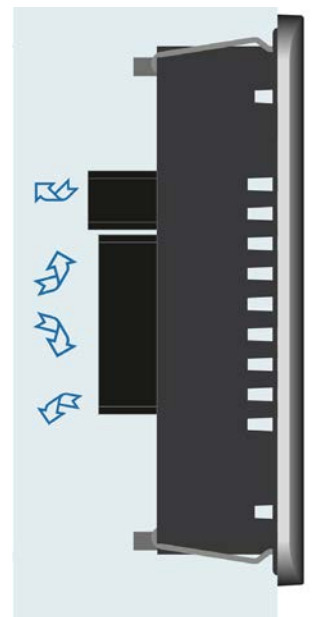


Fig. 2 Ensure unobstructed air circulation! >20 mm / 0.79" in

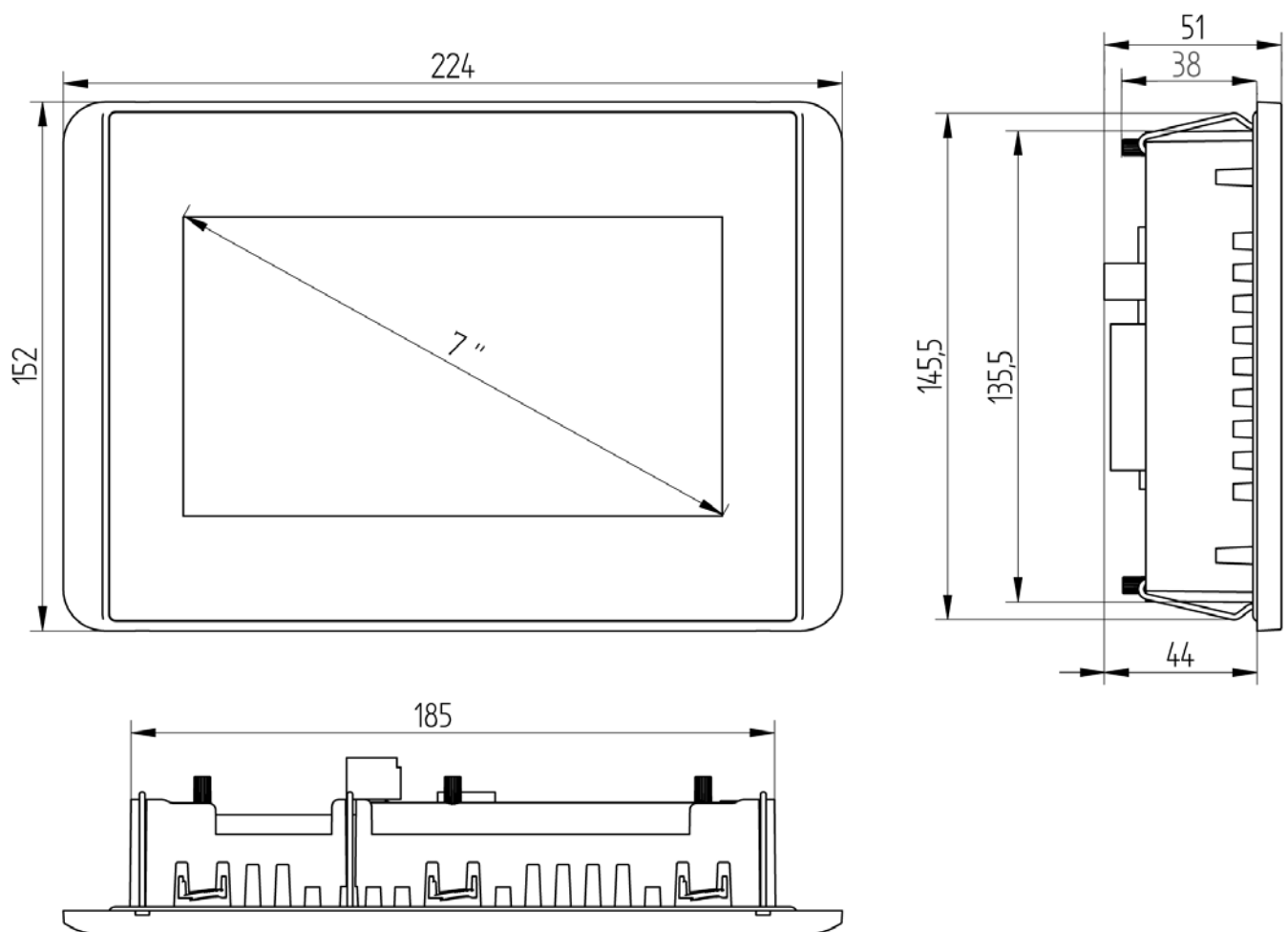
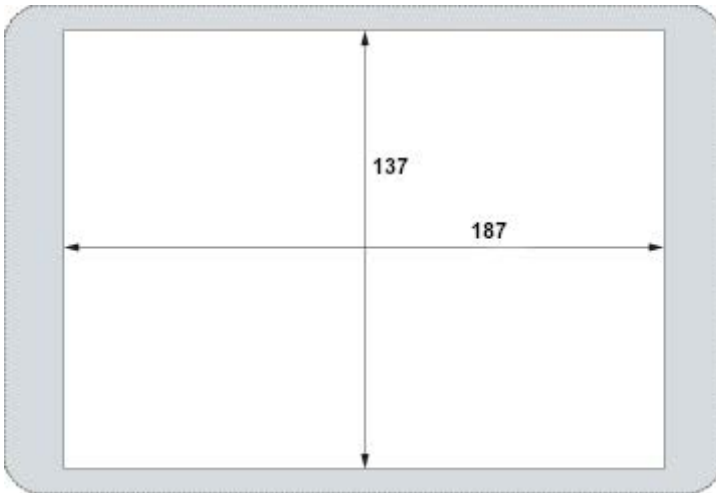


Fig. 3 GUI607 mounting dimensions in mm

Technical Data GUI607

Cut-out for GUI607 installation: 187 × 137 mm / 7.36" x 5.39" in for a sheet thickness of 2 mm



Cut rectangular panel cut-out in the support material

High: 137.0 mm / 5.39" in
 Width: 187.0 mm / 7.36" in
 Max. corner radius: 3.0 mm / 0.12" in

Optimum thickness of the carrier material

Degree of protection IP65 with twist-lock catches: only for 1.5 ... 3.0 mm
 0.06 ... 0.12" in
 Optimal: 1.5 ... 2.0 mm
 0.06 ... 0.08" in
 Max.: 3.0 mm / 0.12" in

Fig. 4 Panel cut out GUI607 in mm

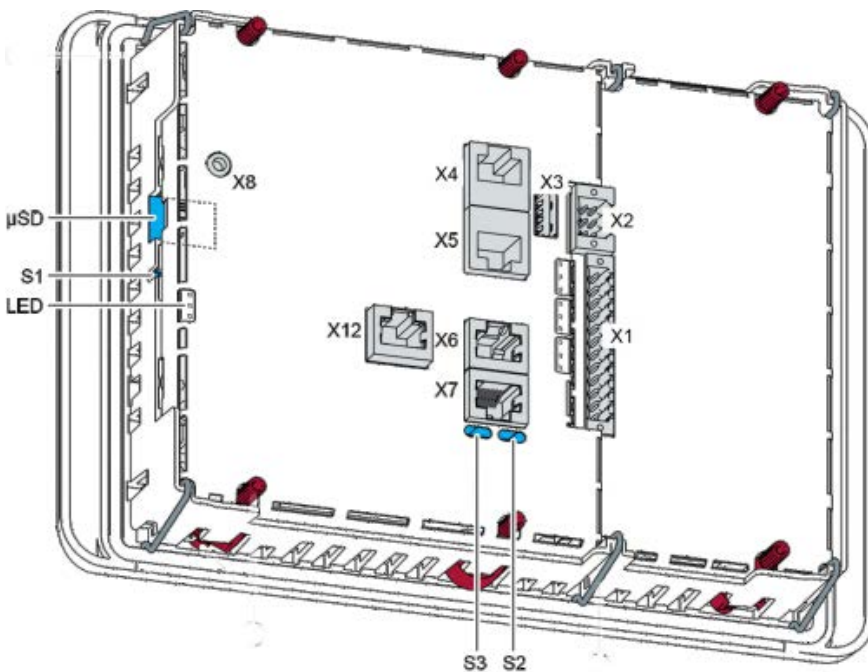


Fig. 5 Connections GUI607

Connections

Pos. Designation

X1 Power supply, digital input/output
 X2 Analogue input
 X3 USB 2.0
 X4 Ethernet (ETH0)
 X5 EtherCAT(ETH1)
 X6 RS-232/RS-485
 X7 CAN Bus (CAN0)

Pos. Designation

X8 Debug interface (just DC)
 X12 CAN Bus (CAN1) optional
 S1 Function key (rest and run/stop)
 S2 Termination resistor CAN (120 Ω)
 S3 Termination resistor RS-485 (120 Ω)
 μSD Connection microSD card (optional)
 LED LEDs: PWR, run/stop, error

Technical Data GUI607

Type

GUI607 graphical user interface, 7" 24 VDC, panel installation | Type 668R1000

Technical Data GUI607

Dimensions (H × W × D)	224 × 152 × 51 mm / 8.82 x 5.98 x 2.01" in
Weight	0.6 kg / 1.32 lb
Installation	integrated locking tabs
Power supply	24 VDC -15/+20 % SELV max. AC voltage component 5 % with inverse-polarity protection
Power consumption	
Module electronics current consumption	type 0.3 A, max. 3 A at +24 VDC
Display diagonal/resolution	7" display, 800 × 400 (WVGA)
Touch screen type	resistive
Colours	TFT: 16.7 M (24 bits/pixel)
CPU	800 MHz ARM® CPU with Cortex™-A9 single core
RAM/flash/non-volatile memory	256 MB RAM/256 MB flash/100 kB FRAM
Communication interfaces	2 x Ethernet, 10/100 Base, RJ45
Flammability	

Environmental conditions

Operation	perm. temperature range	24 V power supply: 0 ... +55 °C / 32 ... 131 °F (condensation prohibited) 28.8 V power supply: 0 ... +50 °C / 32 ... 194 °F (condensation prohibited)
	relative humidity	max. 8 %, non-condensing
Transport/ Storage	perm. temperature range	-20 ... +70 °C / -4 ... 158 °F (condensation prohibited)
	relative humidity	max. 85 %, non-condensing
Degree of protection	DIN EN 60529	IP20 back IP65 front, with tensioned twist-lock catch
Protection class	DIN EN 60529	III
Electronic safety	insensitivity to interference	EN 61131-2/EN-En61000-6-2; industrial premises
	emitted interference	EN EN 61000-6-4; industrial premises
Mechanical safety	vibration	sinusoidal (EN 90068-2-6) test: Fc; 10 - 150 Hz, 1 G (operating mode)
	shock resistance	15 G (approx. 150 m/s ² / 492.13 ft/s ²), duration 10 ms, semi-sinusoidal (EN 600068-2-27) Test: Ea

Certification:

CE	DIN EN 61131-2 IEC 61010-2-201 DIN EN 610-10-2-201
cUL_{us}	UL 61010-2-201

NOTICE

The limits of the technical data must be strictly adhered to.

Order Information

Display modules GUI607

Description/Type	Order no.
Graphical display module 7", 24 VDC, panel installation Touch panel with graphic menus for convenient curve programming, extended parameter setting and all system queries	668R1000



The information in this publication is subject to technical changes.

**LAMTEC Meß- und Regeltechnik
für Feuerungen GmbH & Co. KG**

Josef-Reiert-Straße 26

D-69190 Walldorf

Telefon: +49 (0) 6227 6052-0

Telefax: +49 (0) 6227 6052-57

info@lamtec.de

www.lamtec.de

