

# Technical Data GUI615

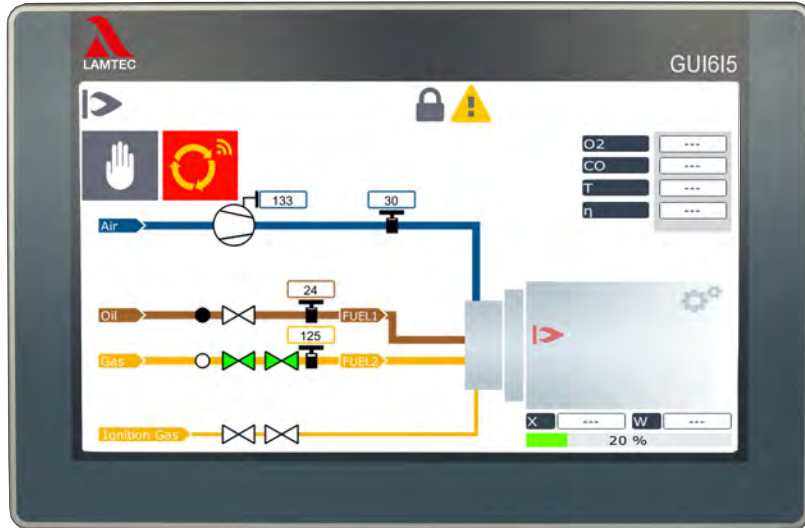


Fig. 1 GUI615

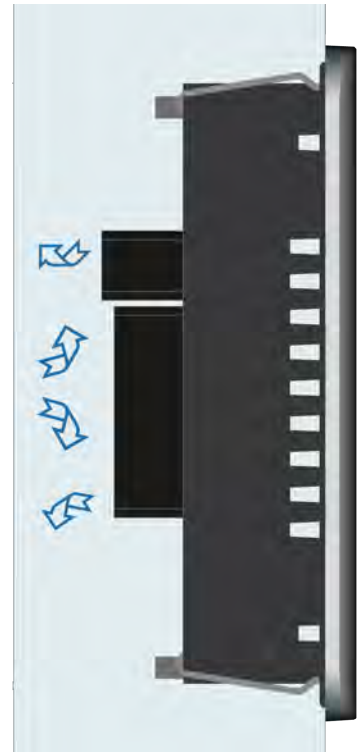


Fig. 2 Ensure unobstructed air circulation!  
>20 mm

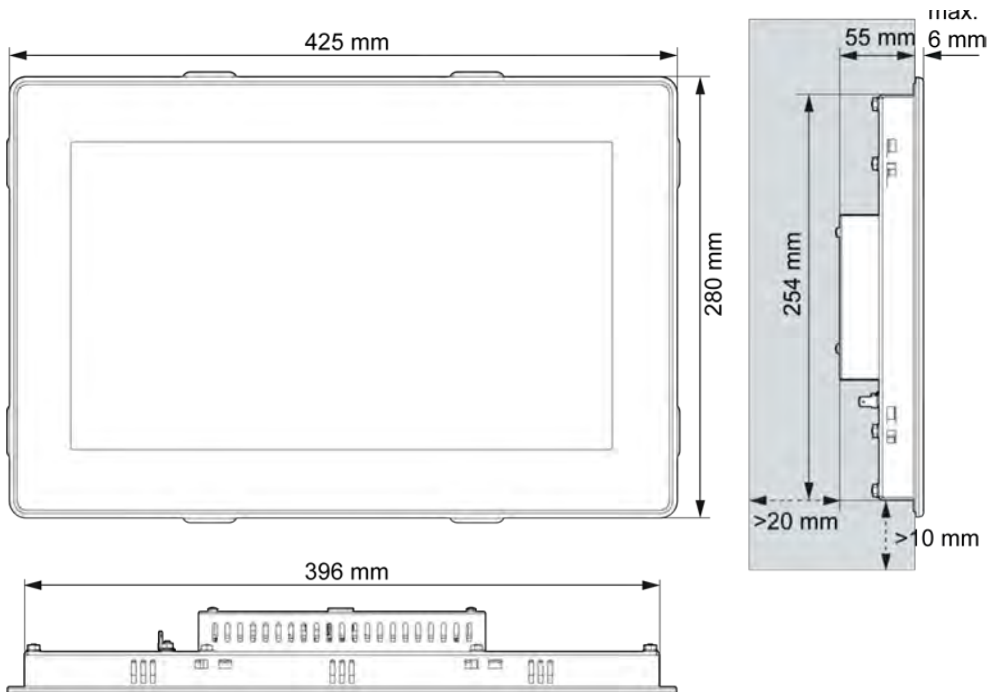


Fig. 3 Dimensional drawing GUI615

# Technical Data GUI615

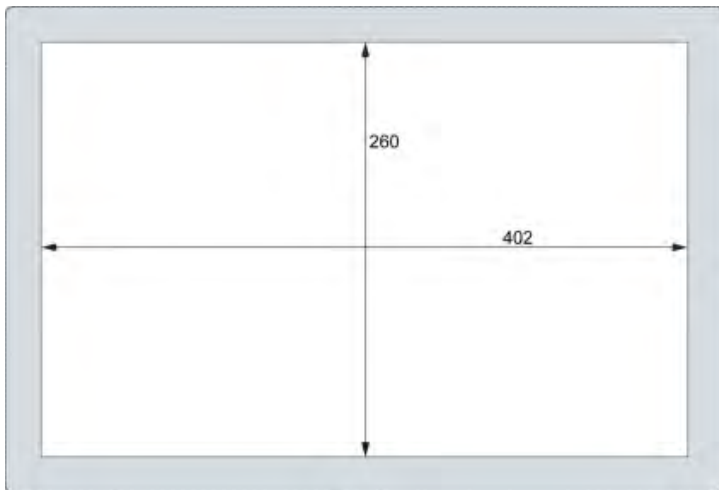


Fig. 4 Panel cutout GUI607 in mm

Cut rectangular panel cutout in the support material

High 260.0 mm/10.24" in

Width 402.0 mm/16.54" in

Max. corner radius 3.0 mm/0.12" in

Optimum thickness of the carrier material:

Degree of protection IP65 only for 1.5 ... 3.0 mm/  
0.06 ... 0.12" in

with twist-lock catches

Optimally: 2.0 ... 3.0 mm/0.08 ... 0.12" in

Max. 4.0 mm/0.16" in

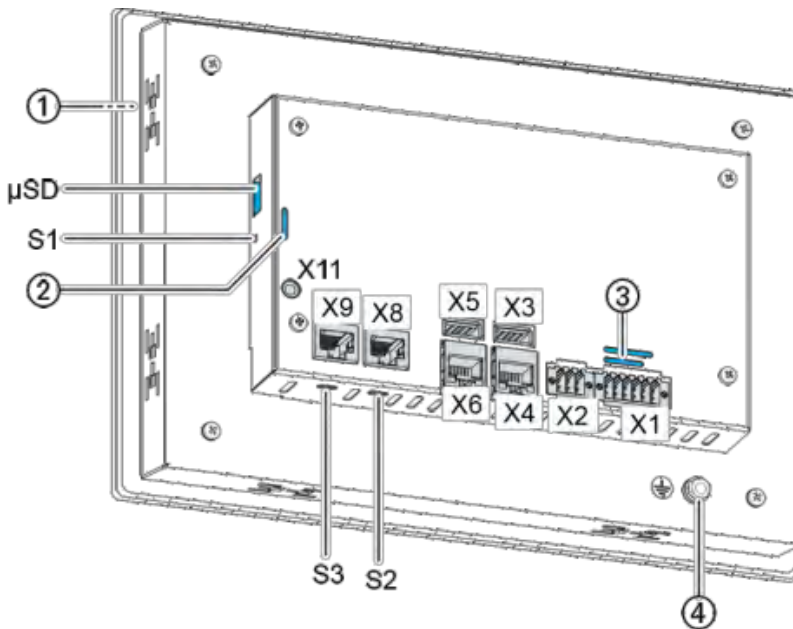


Fig. 5 GUI615 connecting diagram

## Connections

### Pos. Designation

- 1 Display 15.6"
- 2 LEDs: PWR, RUN/stop, error (DC)
- 3 LEDs: power, digitale input/output
- 4 Earth connector

- X1 Power supply, digital input/output
- X2 Analogue input
- X3 USB 2.0
- X4 Ethernet (ETH0)
- X5 USB 2.0

### Pos. Designation

- X6 EtherCAT (ETH1)
- X8 CAN Bus (DC)
- X9 RS-232/RS-485
- X11 Debug interface (not used - just for LAMTEC service personal)
- S1 Function key
- S2 Termination resistor CAN (120 Ω)
- S3 Termination resistor RS-485 (120 Ω)
- μSD Connection microSD card (for memory expansion)

## Technical Data GUI615

### Type

GUI615 graphical user interface, 15,6" 24 VDC, panel installation | Type 668R1004

### Technical Data GUI615

Dimensions (H × W × D)	425 × 280 × 55 mm / 16.73 x 11.02 x 2.16" in
Weight	3 kg / 6,61 lb
Installation	removable tensioned clamps
Supply voltage	24 VDC -15/+20% SELV max. AC voltage component 5 % with inverse-polarity protection
Power consumption	
Module electronics current consumption	type 0.8 A, max. 1.2 A at +24 VDC
Display diagonal/resolution	15.6" display, 1366 × 768 (WXGA)
Touch screen type	resistive
Colours	TFT: 16.7 M (24 bits/pixel)
CPU	800 MHz ARM® CPU with Cortex™-A9 single core
RAM/flash/non-volatile memory	512 MB RAM/2048 MB flash/100 kB FRAM
Communication interfaces	2x Ethernet, 10/100 Base, RJ45
Flammability	

### Environmental conditions

<b>Operation</b>	permitted temperature range	0 ... +55 °C (non-condensing) 32 ... 131 °F
	permitted humidity	max. 85 %, non-condensing
<b>Transport/Storage</b>	permitted temperature range	-20 ... +70 °C (non-condensing) -4 ... 158 °F
	permitted humidity	max. 85 %, non-condensing
<b>Degree of protection</b>	DIN EN 60529	IP20 IP65 front
<b>Protection class</b>	DIN EN 60529	III
<b>Electrical safety</b>	insulation resistance	EN 61131-2
	insensitivity to interference	EN 61131-2
	emitted interference	EN 55011 class B, group 1
<b>Mech. safety</b>	vibration	sinusoidal (EN 90068-2-6) Test: Fc; 10 - 150 Hz, 1 G (operating mode)
	shock resistance	15 G (approx. 150 m/s <sup>2</sup> / 492.13 ft/s <sup>2</sup> ), duration 10 ms, semi-sinusoidal (EN 6068-2-27) Test: Ea

### Certification:

<b>CE</b>	EN 61131-2	
<b>CB Scheme</b>	IEC 61010-2-201	
<b>cUL<sub>us</sub></b>	UL 61010-2-201	

### NOTICE

The limits of the technical data must be strictly adhered to.

## Order Information

### Display modules GUI615

Description/Type	Order no.
GUI615 Graphical display module 15", 24VDC, panel installation Touch panel with graphic menus for convenient curve programming, extended parameterization and all system queries	668R1004



The information in this publication is subject to technical changes.

**LAMTEC Meß- und Regeltechnik  
für Feuerungen GmbH & Co. KG**

Wiesenstraße 6  
D-69190 Walldorf  
Telefon: +49 (0) 6227 6052-0  
Telefax: +49 (0) 6227 6052-57

[info@lamtec.de](mailto:info@lamtec.de)  
[www.lamtec.de](http://www.lamtec.de)

