

## Technical Data LT3-Ex



Fig. 1-1 Lambda Transmitter LT3-Ex with junction box



Fig. 1-2 Lambda Transmitter LT3-Ex with junction box and main switch

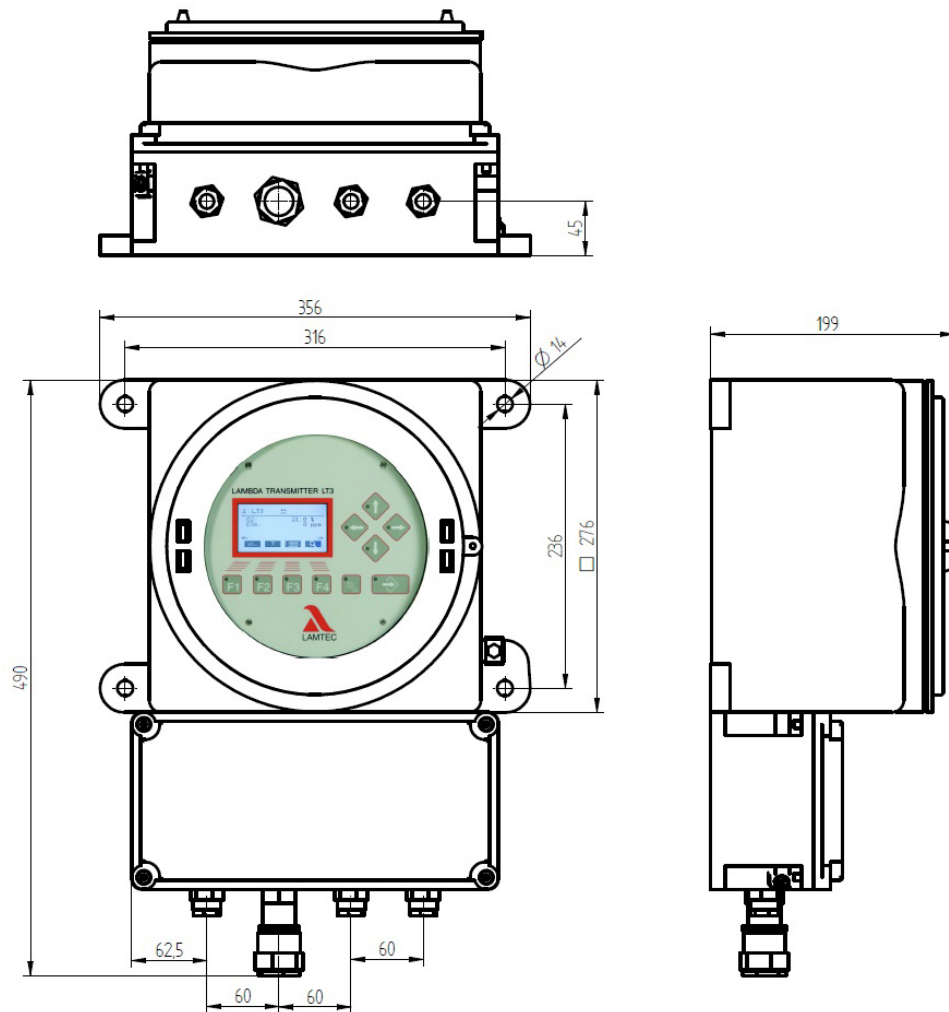



Fig. 1-3 Dimensional drawing LT3-Ex

## Technical Data LT3-Ex

<b>Dimensions</b>	
Housing	Wall mounting housing, grey cast iron
Protection class to DIN 40050	IP66
Ignition protection type	CE 0081  II 2 G Ex d IIC T6 Gb IP66 LCIE 13 ATEX 3066 X (TA: -20 °C ... +55 °C/-4 °F ... 131 °F)
Dimensions (HxWxD)	490x356x199 mm/19.29"x14.02"x7.83" in
Colour	light grey RAL 7035
Weight	approx. 16,6 kg/36.59 lb
Control element	Solenoid keyboard
<b>Input data</b>	
Power supply	120 VAC/-30 % ... 230 VAC/+10 %, 50 ... 60 Hz <b>ATTENTION: use only in earthed networks!</b>
Power consumption	Typically 30 W, max. 69 W
Display	LCD-Graphic display 70x40 mm (BxH)/2.76"x1.57" in (WxH)
Resolution	O <sub>2</sub> : 0,1 Vol. % O <sub>2</sub> in range of 0 ... 18 Vol. % O <sub>2</sub> 1 Vol. % O <sub>2</sub> in range of 18 ... 30 Vol. % O <sub>2</sub> CO: 1 ppm in area of CO
Time for operational readiness (with KS1D-Ex (cold start))	approx. 10 minutes after MAINS ON
<b>Analogue outputs</b>	<b>Optional</b>
Analogue outputs via additional module Precision: 1 % Load: 300 Ω/output	Analogue output 1 (O <sub>2</sub> measured value) - Setting range: 0 ... 25 % O <sub>2</sub> - Factory setting: 0 ... 10 Vol. % O <sub>2</sub> → 4 ... 20 mA  Analogue output 2 (CO <sub>e</sub> measured value) - Setting range: 0 ... 30.000 ppm - Factory setting: 0 ... 1.000 ppm → 4 ... 20 mA
<b>Digital outputs</b>	<b>Optional</b>
Digital outputs via additional module	- 4 floating contacts NO - Switching voltage max. 250 V - Switching current 6 A, max. 12 A/module
<b>Digital inputs</b>	<b>Optional</b>
Digital inputs via additional module	- 4 digital inputs 24 VDC, floating - Functions can be set via LSB remote software
<b>HART communication</b>	<b>Optional (does not apply to LT3-F)</b>
HART communication via additional module	- 2 analogue outputs 0/4 ... 20 mA for the output of the O <sub>2</sub> and CO <sub>e</sub> -HART- communication (read/write) via analogue output 1

## Technical Data LT3-Ex

<b>Efficiency calculation</b>	<b>Optional</b>
Calculation of the combustion efficiency via additional module	<ul style="list-style-type: none"> <li>- 2 Pt100 inputs for feedforward of the flue gas and inlet air temperature 0 ... 400 °C/32 ... 752 °F</li> <li>- 2 analogue outputs 0/4 ... 20 mA for the output of the flue gas air temperature and efficiency</li> </ul>
<b>Field bus connection</b>	<b>Optional (does not apply to LT3-F)</b>
Field bus connection to PROFIBUS DP via additional module	<ul style="list-style-type: none"> <li>- Reading of values, statuses, faults, and warnings</li> <li>- Reset of faults and warnings</li> <li>- Setting of digital outputs</li> </ul>
<b>Interfaces</b>	
Interfaces	LAMTEC SYSTEM BUS (LSB)
<b>Screwed cable gland</b>	
screwed cable gland for probe	1 screwed cable gland M25 brass nickel plated, for cable diameter 12 ... 18 mm/0.47" ... 0.71" in and 16 ... 24 mm/0.63" ... 0.94" in type REVD2/B
screwed cable gland for power supply	3 screwed cable gland M20 brass nickel plated, for cable diameter 7 ... 12 mm/0.28" ... 0.47" in type REV1/B
<b>Conditions for use</b>	
Ambient temperature	Operation: -20 °C ... +55 °C/-4 °F ... 131 °F Transport and storage: -20 °C ... +70 °C/-4 °F ... 158 °F

## Order Information

657R5160-	A 10 HOUSING	A 20 OUT-/ INPUTS	A 30 LANGUAGE	A 40 HART- COMMUNICATION	A 50 EFFICIENCY CALCULATION	A 60 FIELD BUS CONNECTION
-----------	-----------------	-------------------------	------------------	--------------------------------	-----------------------------------	---------------------------------

A 10 – HOUSING	Selection
WITH CONNECTION BOX, WITHOUT MAIN SWITCH	00
WITH CONNECTION BOX AND MAIN SWITCH	10
A 20 – OUT-/INPUTS	Selection
4 ANALOGUE OUTPUTS 0/4 ... 20 mA	05
4 ANALOGUE OUTPUTS 0/2 ... 10 V	10
4 DIGITAL OUTPUTS, TO ISSUE LIMIT VALUES AND OPERATING CONDITIONS	20
4 DIGITAL INPUTS	25
4 DIGITAL- AND 4 ANALOGUE OUTPUTS 0/4 ... 20 mA	30
4 DIGITAL- AND 4 ANALOGUE OUTPUTS 0/2 ... 10 V	35
4 DIGITAL INPUTS AND 4 ANALOGUE OUTPUTS 0/4 ... 20 mA	50
4 DIGITAL INPUTS AND 4 ANALOGUE OUTPUTS 0/2 ... 10 V	55
A 30 – LANGUAGE	Selection
GERMAN	D
ENGLISH	E
FRENCH	F
A 40 – HART-COMMUNICATION	Selection
WITHOUT	00
HART-MODULE WITH 2 ANALOGUE OUTPUTS 0/4 ... 20 mA HART-COMMUNICATION VIA OUTPUT 1	01
A 50 – EFFICIENCY CALCULATION	Selection
WITHOUT	00
EFFICIENCY-MODULE WITH 2 PT100-INPUTS AMBIENT AIR AND FLUE GAS 0 ... 400 °C/32 °F ... 752 °F AND 2 ANALOGUE OUTPUTS 0/4 ... 20 mA	01
A 60 – FIELD BUS CONNECTION*	Selection
WITHOUT	00
PROFIBUS DP	01

\* select "01" when module should be built-in, otherwise use order no. 657R5950

## Approvals



The information in this publication is subject to technical changes.

**LAMTEC Meß- und Regeltechnik  
für Feuerungen GmbH & Co. KG**  
Wiesenstraße 6  
D-69190 Walldorf  
Telefon: +49 (0) 6227 6052-0  
Telefax: +49 (0) 6227 6052-57

[info@lamtec.de](mailto:info@lamtec.de)  
[www.lamtec.de](http://www.lamtec.de)

