

Technical Data T-Adapter Standard

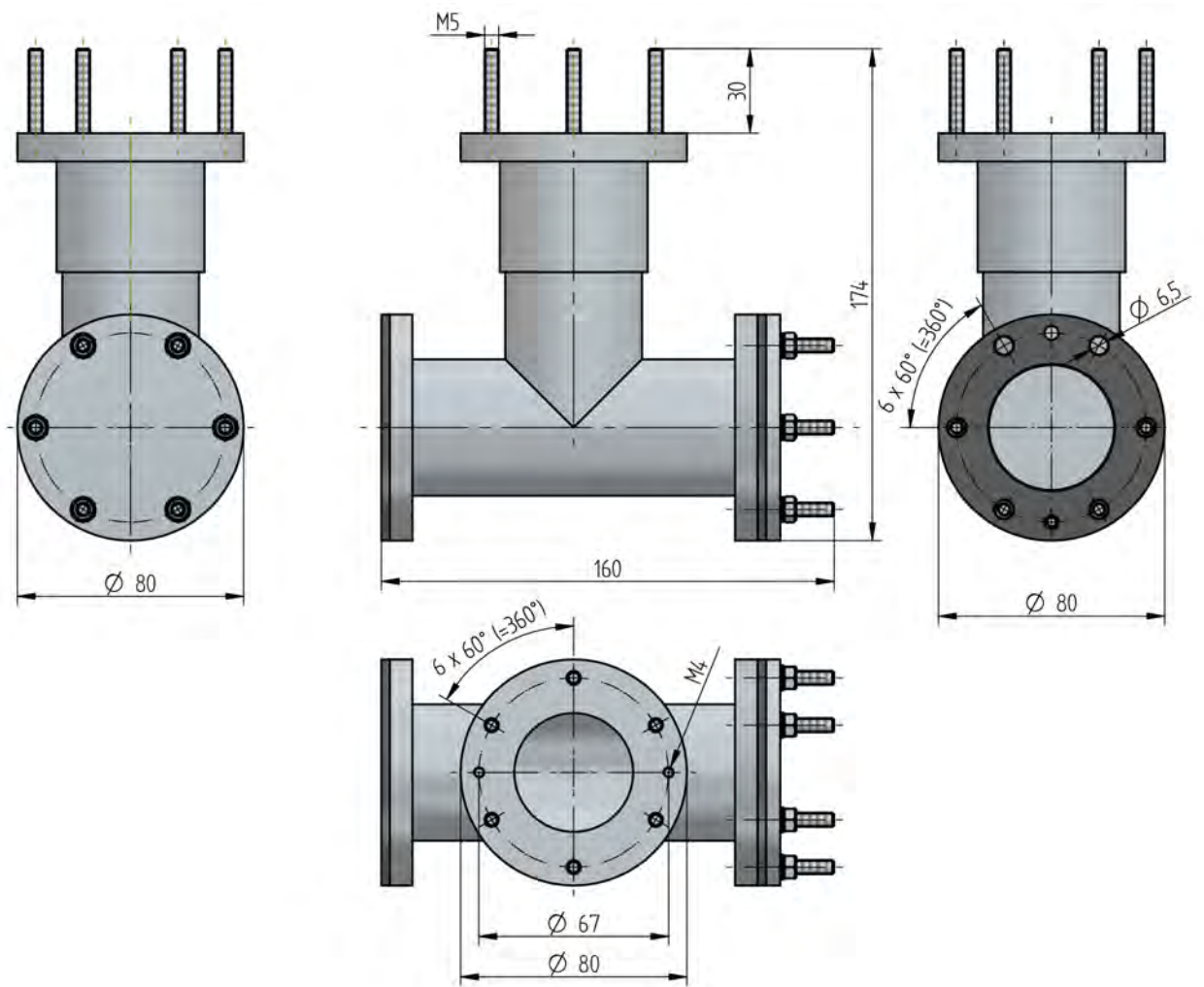


Fig. 1 T-adapter for blind flange (in mm)

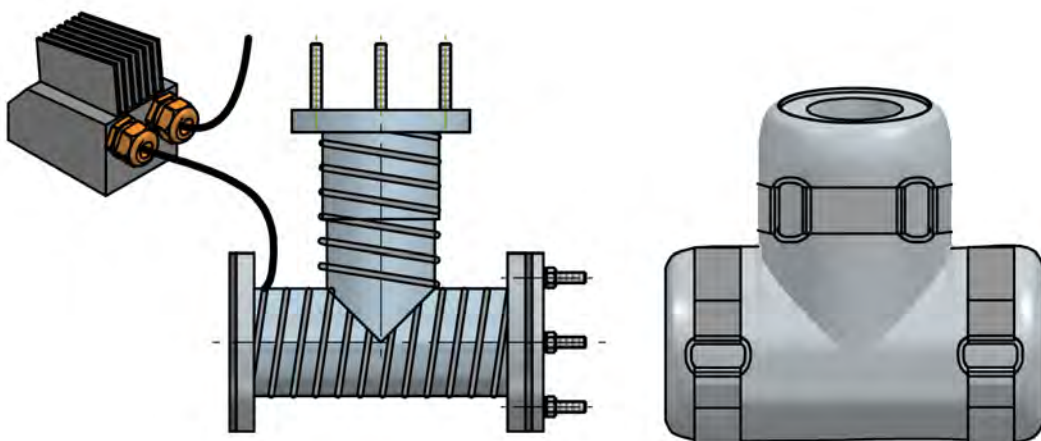


Fig. 2 T-adapter with coiled heating conductor, blind flange, graphite sealing and outer insulation

Technical Data T-Adapter Standard

T-adapter for probe mount - blind flange

Version	T-adapter
Dimensions (H x W x Ø)	144 x 157 x 80 mm 5.67 x 6.18 x 3,15" in
Weight	2.1 kg 4.63 lb
Material	Stainless steel 1.4571/1.4404

Heating

Power supply voltage	230 VAC/140 W
Maximum heating temperature	220 °C 428 °F
Connecting pipework length	2 m 6.6 ft

NOTICE

The heated adapter is neither certified nor tested for Ex applications and is therefore not allowed to be used in areas with hazardous area requirements for explosion-protected components.

NOTICE

The limits of the technical data must be strictly adhered to.

Order Information

T-Adapter for probe mount for GED FLEX

Designation / Type	Order no.
T-Adapter incl. blind flange and seal, stainless steel 1.4571/1.4404	655R1565

T-Adapter for probe mount - heated

Description / Type	Order no.
T- Adapter heated for aggressive flue gases, stainless steel 1.4571/1.4404, incl. seal and outside insulation, 230 VAC/140 W, cable length 2 m 6.56 ft	655R1570

The information in this publication is subject to technical changes.



**LAMTEC Meß- und Regeltechnik
für Feuerungen GmbH & Co. KG**

Josef-Reiert-Straße 26

D-69190 Walldorf

Telefon: +49 (0) 6227 6052-0

Telefax: +49 (0) 6227 6052-57

info@lamtec.de

www.lamtec.de

