

Technical Data Lambda Probe LS2-Ex

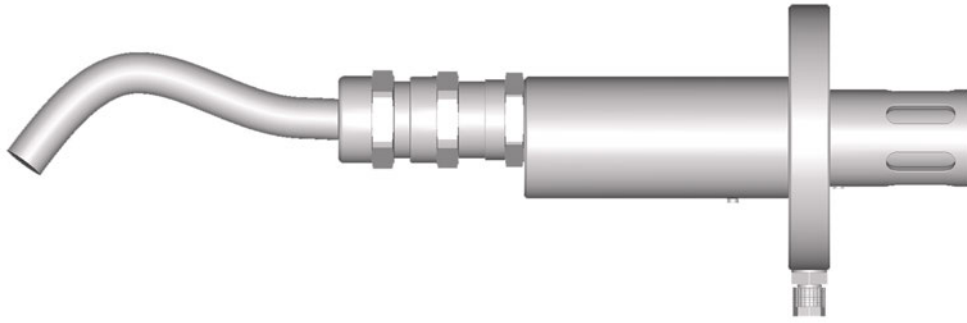


Fig. 1 Lambda Probe LS2-Ex

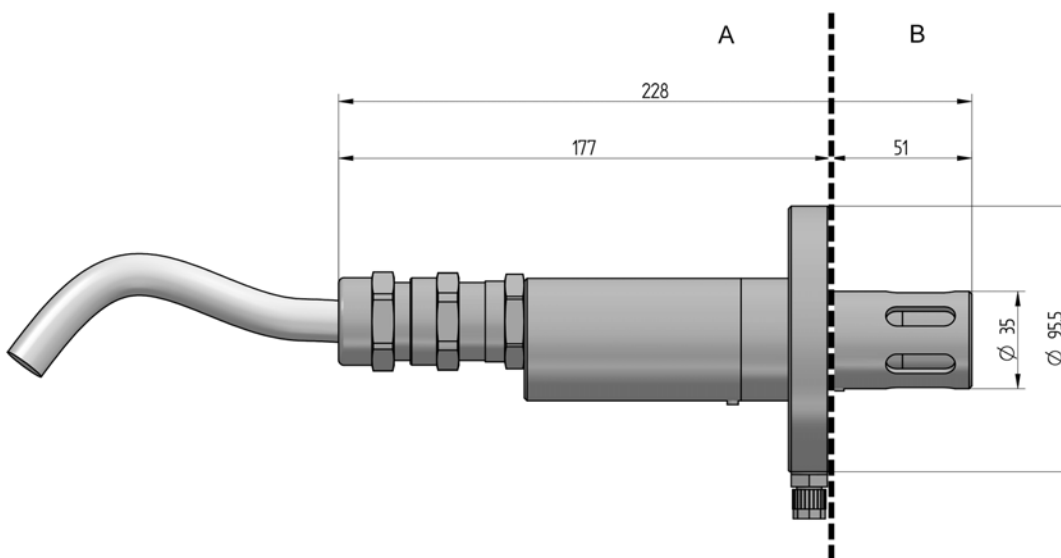


Fig. 2 Dimensional drawing Lambda Probe LS2-Ex (unit of measurement in mm)

- A** Outside
- B** Measuring gas side

Application:

- Flue gas temperatures: depending on material up to 1,400 °C | 2,552 °F at the GED FLEX
450 °C | 842 °F at probe head for LT2/LT3
- Flow velocities: 0,1 ... 30 m/s | 0.33 ... 98.43 ft/s
- Dust exposure: $\leq 1,000 \text{ mg/m}^3$


Technical Data Lambda Probe LS2-Ex

Technical Data	
Measuring range	O ₂ : 0 - 21 % O ₂
Measuring precision	O ₂ : ± 5 % of measured value - not better than ± 0.3 vol. %
Sensor signal	O ₂ : -30 ... +150 mV
Response time	O ₂ : t ₆₀ : < 3 s t ₉₀ : < 9 s
Relaxation time (measurement readiness after overload)	O ₂ : t ₉₀ : < 8 s
Offset to environment	O ₂ : < 0.3 vol. %
Repeating precision	O ₂ : < 0.1 % deviation from measured value
Drift	O ₂ : < 1.7 % from measured value (after 1000 h of operation in EL light fuel oil and 1004 switching cycles ON / OFF)
Cross sensitivity	O ₂ : to CO ₂ (15 vol. %) < 0.1 vol. % O ₂ : to CO (874 ppm) < 0.1 vol. % O ₂ : to CH ₄ (76 ppm) < 0.1 vol. % O ₂ : to SO ₂ (76 ppm) < 0.1 vol. % O ₂ : to NO (245 ppm) < 0.1 vol. % (O ₂ : Information assumes an operating gas composition of 5 vol. % O ₂ , rest is N ₂)
Heating consumption	10 ... 25 W (at T _{gas} 350 °C 662 °F approx. 18 W) (according to design, measuring gas temperature, and measuring speed)
Weight	1,300 g 2.86 lb
Material of probe housing	1.4571
Material of connection housing	Aluminium
Material of connecting line	NICKEL-plated copper strand FEP insulation
Measuring principle	Zirconium dioxide cell (ZrO ₂) potentiometric (voltage probe)
Approval	According to EN 16340:2014 D

Technical Data Lambda Probe LS2-Ex

Operating Condition	
Lifetime	> 3 years (in case of light fuel oil and natural gas)
Heating time	10 min until operating temperature is reached
Operating temperature of the measuring cell (sensor) at 13 V heating voltage in the air (20 °C 68 °F)	650 °C 1,202 °F
Mounting / measuring gas extraction device	Directly in exhaust gas channel / in situ
Seal tightness	$q_L \leq 100 \text{ cm}^3/\text{h}$ (According to DIN V 18160-1:2006-01, seal tightness towards environment through housing and fastening)
Mounting position	Horizontal to vertical
Permissible fuels	Residue-free, gaseous hydrocarbons, light fuel oil, heavy fuel oil (HFO), lignite and coal, biomass (according to design)
Ideal measuring gas speed	Without GED: – $1 \text{ m/s} \leq X \leq 6 \text{ m/s}$ $3.28 \text{ ft/s} \leq X \leq 19.69 \text{ ft/s}$ with GED FLEX: – $0.1 \text{ m/s} \leq X$ depending on version $0.328 \text{ ft/s} \leq X$ depending on version (Higher measuring gas speed increases the measurement error. Measured at measuring gas temperature 25 °C 77 °F. In case of smaller measuring gas temperatures it might be necessary to protect the probe from the incident flow.) Attention: For lengths of GED FLEX > 1 m 3.28 ft, a higher measuring gas speed (> 30 m/s 98.42 ft/s) can lead to flutter and vibration of GED.
Reference air supply	Not required
Flange adapter	Depending on the selected GED


Technical Data Lambda Probe LS2-Ex

Environmental Conditions		
Probe head	Permissible flue gas temperature	< 450 °C 842 °F -20 ... +60 °C -4 ... +140 °F in the hazardous area
Operation	Mounting situation	Indoors or outdoors at any height
	Permissible temperature	-20 ... +60 °C -4 ... +140 °F on cable gland -20 ... +60 °C -4 ... +140 °F on connection cable
	Relative humidity	0 ... 100 %
Transport	Permissible temperature	-20 ... +70 °C -4 ... +158 °F
Storage	Permissible temperature	-20 ... +70 °C -4 ... +158 °F
Degree of protection	According DIN EN 40050	IP65
Type of protection	 II2G Ex db (IIB+H2) T4 Gb II2D Ex Tb IIIC T135°C Db	Certificate number: IECEX EPS 23.0059X EPS 23 ATEX 1 226 X


NOTICE

The limits of the technical data must be strictly adhered to.


NOTICE

 The limits of the technical data must be strictly adhered to.

NOTICE

 The measuring function of the probe is not part of the approvals.

NOTICE

 The ignition protection only applies in the range of -40 ... +60 °C | -40 ... +140 °F.

If the measuring gas temperature exceeds this temperature range, the ignition protection for the measuring gas side of the probe is not applicable. See Dimensional drawing Lambda Probe LS2-Ex (unit of measurement in mm).





Fig. 3 Rating plate LS2-Ex

Technical Data Lambda Probe LS2-Ex

NOTICE



Description of the symbols on the type plate of the probe:

- ▶  Please read the manual before working on the probe.
- ▶  All described activities may only be carried out by qualified and authorised personnel in compliance with the requirements:



WARNING!



Do not open, maintain, or service in an area when an explosive atmosphere is present.

Order Information

Description / Type	Order no.
Lambda Probe LS2-Ex, cable length 3 m 9.84 ft ft	650R1620

The information in this publication is subject to technical changes.



LAMTEC Meß- und Regeltechnik für Feuerungen GmbH & Co. KG

Josef-Reiert-Straße 26
D-69190 Walldorf
Telefon: +49 (0) 6227 6052-0
Telefax: +49 (0) 6227 6052-57

info@lamtec.de
www.lamtec.de

