

Technical Data T-Adapter Outer Insulation

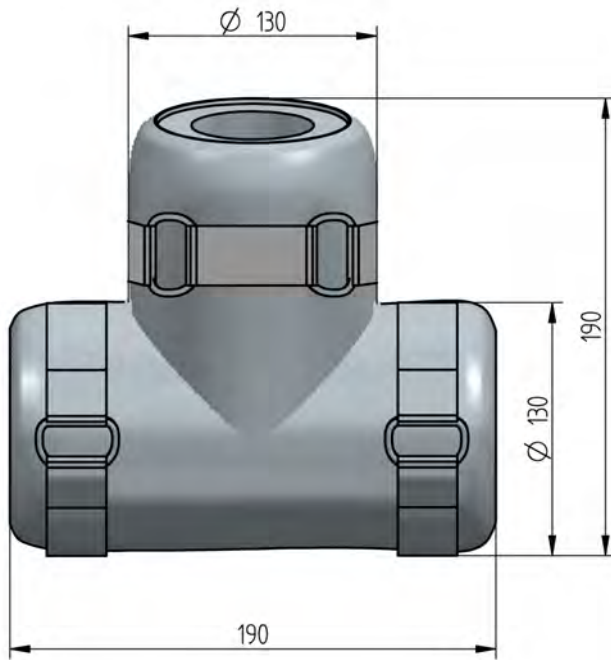


Fig. 1 Dimensioned drawing of T-adapter outer insulation (in mm)

T-adapter outer insulation	
Version	outer insulation for T-adapter
Dimensions (H x W x Ø)	190 x 190 x 130 mm 7.48 x 7.48 x 5.12" in
Wall thickness	approx. 25 mm 0.98" in
Fastening	velcro fastener
Max. usage temperature	260 °C 500 °F
Weight	0.73 kg 1.61 lb
Material	glass fibre material, coated on both sides with silicone

NOTICE

The limits of the technical data must be strictly adhered to.

Order Information

Outer insulation for T-adapter

Designation / Type	Order no.
Outer insulation for T-adapter (GED FLEX)	656R1112

The information in this publication is subject to technical changes.



**LAMTEC Meß- und Regeltechnik
für Feuerungen GmbH & Co. KG**

Josef-Reiert-Straße 26

D-69190 Walldorf

Telefon: +49 (0) 6227 6052-0

Telefax: +49 (0) 6227 6052-57

info@lamtec.de
www.lamtec.de

