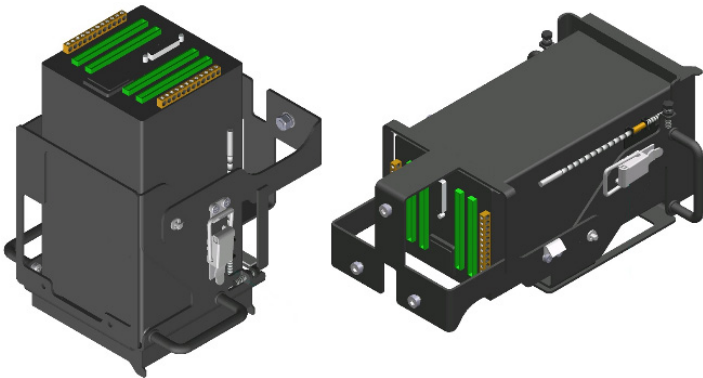


New Features for LAMTEC Products

New Swing Frame for Cabinet Mounting of FMS / VMS

For the first time LAMTEC provides a swivelling frame for mounting a FMS or VMS into a control cabinet to their customers.

With this swing frame it is possible not only to mount a FMS or a VMS in a panel installation housing at the cabinet door, but also to mount it on a mounting plate into the control cabinet. This enables customers to use control cabinets with smaller depth.



FMS mounted in a swing frame type 663R8035 — Standby position (left), working position (right)

Mounted in the swing frame the FMS or VMS can be rotated by 90° downwards. Thus minimises the required control cabinet's depth when the door is closed.

When the cabinet door is open the device can be locked horizontally with the lockable swivel mechanism. Now the device can be operated as usual.

New Commissioning and Configuration of ETAMATIC / ETAMATIC OEM Can Be Executed in Chinese Language Now

Startup Manager is an application for configuration and operator guidance, especially for ETAMATIC / ETAMATIC OEM. The application can be used for guided configuration of ETAMATIC / ETAMATIC OEM with the programming unit.

A dialog guides the operator through the installation and shows which input / action should be done in the correct order.

Startup Manager guides the user completely through the initial installation of the burner control system as well as through any single step of the configuration managed by its assistants.

The application is available in the following languages:

- German
- English
- Spanish
- French
- Hungarian
- Japanese
- Russian
- Turkish
- and recently in Chinese.

For more information, please contact us.

New BSIM Software Available in Spanish

The acronym BSIM stands for „Burner SIMulation“. BSIM is a software interface designed for use in training programmes and also for testing purposes.

The burner control device communicates directly with the burner simulation. This enables to simulate the O₂ and CO values in real time.

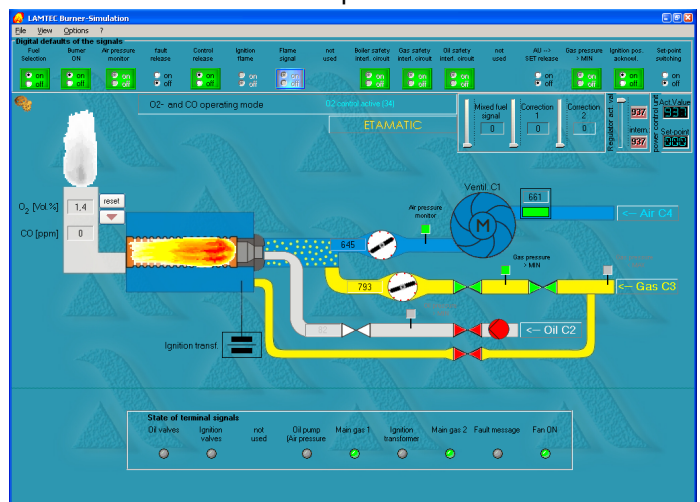
The software is available for the following LAMTEC devices:

- FMS
- VMS
- ETAMATIC
- ETAMATIC OEM
- Burner Control FA1

BSIM software is available in four languages:

- German
- English
- French
- and recently also in Spanish.

For more information please contact us.



BSIM software interface

+++ Training courses 2011 +++ International courses in Russia and in English +++ Training courses 2011 +++

+++ Russian training course 2011-09-12 - 2011-09-16 +++

+++ English training course 2011-09-19 - 2011-09-23 +++