

# Technical Data SDI



Fig. 1 SDI photo

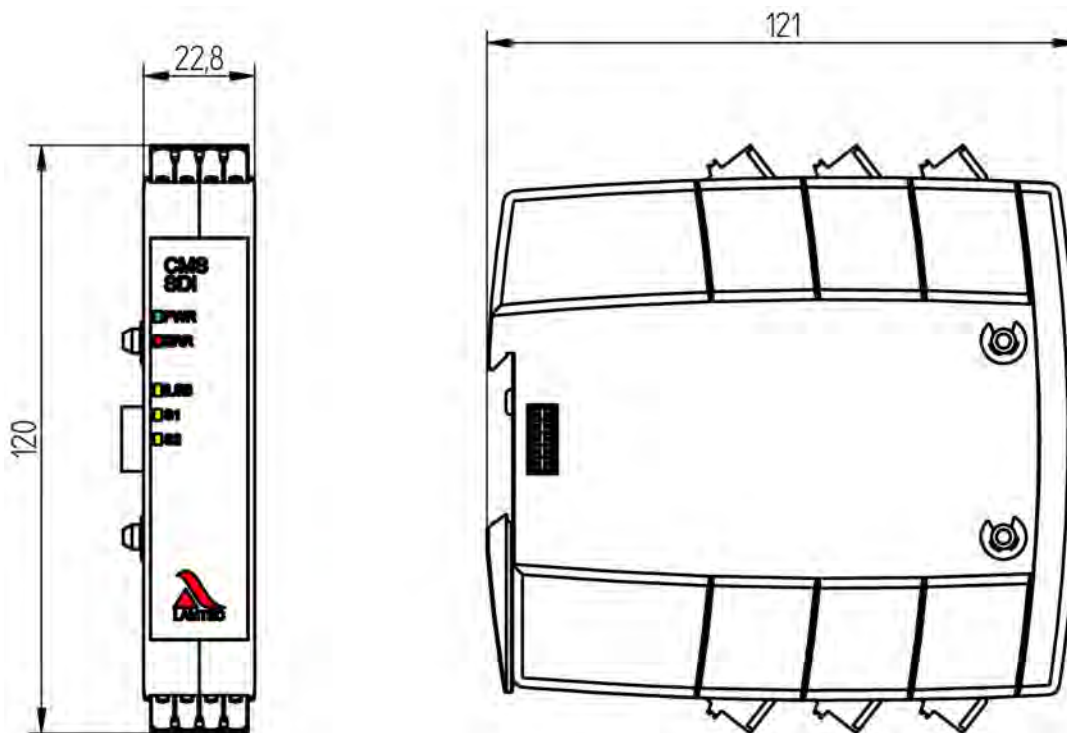


Fig. 2 SDI dimensional drawing

---

## Part number

SDI Safe Digital Input component

Type 668R0400-XX

---

\* XX = depends on configuration

## Technical Data SDI

| Technical Data SDI     |   |
|------------------------|---|
| Dimensions (h × w × d) | 120 x 22.8 x 121 mm/ 4.72 x 0.90 x 4.76" in             |
| Weight                 | 0,140 kg/0,31 lb  |
| Power supply voltage   | 24 VDC +/- 20 % (by internal connecting plugs from MCC) |
| Current draw           | min: 40 mA<br>max: 45 mA                                |
| Power consumption      | 1.5 W max.  |
| Flammability           | UL94 V-0  |

| Digital signal inputs  |                      | 24 VDC                    | 120 VDC                   | 230 VDC                    |
|--|----------------------|---------------------------|---------------------------|----------------------------|
|  | nominal current      | 2.1 mA<br>impedance 11 kΩ | 2.1 mA<br>impedance 57 kΩ | 2.3 mA<br>impedance 100 kΩ |
| <b>Since the inrush currents on the contacts are low, use gold-plated silver contacts!</b> |                      |                           |                           |                            |
| signal ON (min.)   | 0.55 mA<br>≧ 6.9 VDC | 0.97 mA<br>≧ 56 VAC       | 0.78 mA<br>≧ 77 VAC       |                            |
| signal OFF (max.)  | 0.27 mA<br>≧ 4 VDC   | 0.35 mA<br>≧ 21 VAC       | 0.35 mA<br>≧ 36 VAC       |                            |

### Environmental Conditions

|                                |                             |  |
|--------------------------------|-----------------------------|--|
| <b>Operation</b>               | permitted temperature range | -30 ... +70 °C (non-condensing)/ -22 ... +158 °F |
|                                | permitted humidity          | 5% ... 95 % relative humidity                    |
| <b>Transportation/ Storage</b> | permitted temperature range | -40...+80 °C (non-condensing)/-40 ... +176 °F    |
|                                | permitted humidity          | 5 % ... 95 % relative humidity                   |
| <b>Degree of protection</b>    | DIN EN 60529                | IP20 (as long as all terminals are mounted)      |

### NOTICE

The limits of the technical data must be strictly adhered to.

# Technical Data SDI

## Order Information

| Description/Type   | Order no. - selection |
|--|-----------------------|
| SDI Safe Digital Input Component, power supply 24 VDC/1,1 W<br>Module with 8 safety digital inputs       | 668R0400...           |
| <b>A 10 – CONTACTOR VOLTAGE DIGITAL INPUT</b>  | <b>Selection</b>      |
| 120 VAC  | 120VAC                |
| 230 VAC  | 230VAC                |
| 24 VDC   | 24VDC                 |
| <b>A 20 – CUSTOMER</b>   | <b>Selection</b>      |
| STANDARD   | S                     |
| <b>A 30 – COLOR</b>  | <b>Selection</b>      |
| BLACK (STANDARD)   | SW                    |
| <b>A 40 – CONNECTOR SET</b>  | <b>Selection</b>      |
| SCREW TERMINALS<br>Connector set included  | SC                    |
| SPRING TERMINALS<br>Connector set included   | FED                   |
| WITHOUT<br>Connector set not included, must be ordered separately, see „Separate Connector Sets for SDI“ | 0                     |

### Separate connector sets for SDI

when attribute 40 „CONNECTOR SET“ = selection „0“

| Description/Type  | Order no. |
|---|-----------|
| Screw Terminals SDI Contactor Voltage Digital Input 120/230 VAC | 668R0088  |
| Screw Terminals SDI Contactor Voltage Digital Input 24 VDC      | 668R0089  |
|   |           |
| Screw Terminals SDI Contactor Voltage Digital Input 120/230VAC  | 668R0098  |
| Screw Terminals SDI Contactor Voltage Digital Input 24VDC       | 668R0099  |



The information in this publication is subject to technical changes.

### LAMTEC Meß- und Regeltechnik für Feuerungen GmbH & Co. KG

Wiesenstraße 6  
D-69190 Walldorf  
Telefon: +49 (0) 6227 6052-0  
Telefax: +49 (0) 6227 6052-57

[info@lamtec.de](mailto:info@lamtec.de)  
[www.lamtec.de](http://www.lamtec.de)

